

# mitsubishi

---

mitsubishi MOTION CONTROLLER  
Safety signal module Q173DSXY

## Safety Information

---

*Changes for the Better*

Thank you for purchasing the Mitsubishi Motion controller.  
The Motion controller is suitable for establishing safety functions for  
general industrial machinery.

**Prior to use, please read both this manual and detailed manual  
thoroughly and familiarize yourself with the product.**

All rights reserved • Specified product properties and technical data do not represent  
a guarantee declaration.

© 2012 MITSUBISHI ELECTRIC CORPORATION

# REVISIONS

\*The manual number is given on the bottom left of the back cover.

Print Date	*Manual Number	Revision
Jan., 2012	IB(NA)-0300186-A	First edition
Jun., 2012	IB(NA)-0300186-B	Revision for according to certification of safety standard [Partial correction] Section 1.1, 2.3, 2.4, 2.6, 7.1, 7.2 [Addition] Chapter 8

This manual confers no industrial property rights or any rights of any other kind, nor does it confer any patent licenses. Mitsubishi Electric Corporation cannot be held responsible for any problems involving industrial property rights which may occur as a result of using the contents noted in this manual.

# **1 About this manual**

## **1.1 Related Manuals**

This manual describes the mounting of the safety signal module (Q173DSXY) of a Motion controller.

For detailed information of the products, refer to each user's manual or programming manual. Can obtain the PDF data of latest manual from our website.

## **1.2 Function of this document**

This manual instructs the technical staff of the machine manufacturer and/or of the machine operator on the safe mounting of the safety signal module of the Motion controller.

In addition mounting protective devices also requires specific technical skills which are not detailed in this documentation.

This manual does not provide descriptions the machine in which the Motion controller is, or will be, integrated. Information of this kind will be found in the manuals for the machine.

## 2 On safety

This chapter deals with your own safety and the safety of the equipment operators.

- Please read this chapter carefully before beginning with the installation.

### 2.1 Qualified safety personnel

The Motion controller may only be installed by qualified safety personnel.

Qualified safety personnel are defined as persons who ...

- have undergone the appropriate technical training and
- have been instructed by the responsible machine operator in the operation of the machine and the current valid safety guidelines and
- have access to the Motion controller manuals and have read and familiarized themselves with them and
- have access to the manuals for the protective devices (e.g. light curtains) connected to the Motion controller and have read and familiarized themselves with them.

### 2.2 Applications of the device

The Motion controller is a configurable controller for safety applications. It can be used (Declaration of conformity No. BCN-B61008-076)

- in accordance with EN ISO 13849-1 : 2008 Category 3 PL d
- in accordance with EN 62061 SIL CL 2

The degree of safety actually attained depends on the external circuit, the realization of the wiring, the parameter configuration, the choice of the pick-ups and their location at the machine.

Opto-electronic and tactile safety sensors (e.g. light curtains, laser scanners, safety switches, sensors, emergency-stop buttons) are connected to the Motion controller and are linked logically. The corresponding actuators of the machines or systems can be switched off safely via the switching outputs of the Motion controller.

### 2.3 Correct use



---

**The Motion controller fulfills the requirements of industrial applications in accordance with the "Interference emission" basic specifications!**

The Motion controller is therefore only suitable for use in an industrial environment and not for private use.

---

The Motion controller may only be used within specific operating limits (voltage, temperature, etc., refer to the technical data and to the section "Applications areas of the device"). It may only be used by specialist personnel and only at the machine at which it was mounted and initially commissioned by qualified personnel in accordance with the "Motion controller Programming Manual (Safety Observation)" and "Motion controller User's Manual".

The modules of the Motion controller conform to Class A, Group 1, in accordance with EN 61000-6-4. Group 1 encompasses all the ISM devices in which intentionally generated and/or used conductor-bound RF energy that is required for the inner function of the device itself occurs.

Mitsubishi Electric Corporation accepts no claims for liability if the equipment is used in any other way or if modifications are made to the device, even in the context of mounting and installation.

UL/CSA applications:

- Use 60°C/75°C conductors.
- The terminal tightening torque must be 5-7 lbs in.
- To be used in a Pollution Degree 2 environment only.
- The safety functions are not evaluated by UL. The approval is accomplished according to UL508, general use applications.

In the system using the safety signal module, the Motion CPU and PLC CPU described in the below list, safety function is achieved by writing safety parameters and safety sequence program to the Motion CPU and PLC CPU.

Make parameter setting correctly. Incorrect setting may disable the protective functions such as safety functions.

Refer to "Motion controller programming manual (Safety Observation)" for the detail to set a safety parameters and to make a safety sequence program.

(1) Module list (safety function built-in product)

Product name	Model name
PLC CPU module <sup>(Note-1)</sup>	Q03UDCPU, Q04UDHCPU, Q06UDHCPU, Q10UDHCPU, Q13UDHCPU, Q20UDHCPU, Q26UDHCPU, Q03UDECPU, Q04UDEHCPU, Q06UDEHCPU, Q10UDEHCPU, Q13UDEHCPU, Q20UDEHCPU, Q26UDEHCPU, Q50UDEHCPU, Q100UDEHCPU
Motion CPU module	Q173DSCPU, Q172DSCPU, Q173DCPU-S1, Q172DCPU-S1
Safety signal module	Q173DSXY
Main base unit	Q35DB, Q38DB, Q312DB

(Note-1): Use PLC CPU module which the first five digits of the serial number are "10102" (since October 2008) or later.

(2) Operating system software list (safety function built-in product)

Model name	Compatible CPU	Version
SW8DNC-SV22QJ, SW8DNC-SV13QJ	Q173DSCPU	—
SW8DNC-SV22QL, SW8DNC-SV13QL	Q172DSCPU	
SW8DNC-SV22QA, SW8DNC-SV13QB	Q173DCPU-S1	"00N" or later <sup>(Note-1)</sup>
SW8DNC-SV22QC, SW8DNC-SV13QD	Q172DCPU-S1	"00S" or later <sup>(Note-2)</sup>

—: There is no restriction by the version.

(Note-1): In the case of using only safety signal comparison function.

(Note-2): In the case of using both safety signal comparison function and speed monitoring function

## 2.4 General protective notes and protective measures



---

### Observe the protective notes and measures

Please observe the following items in order to ensure proper use of the Motion controller.

---

- When mounting, installing and using the Motion controller, observe the standards and directives applicable in your country.
- The national/international rules and regulations apply to the installation, use and periodic technical inspection of the Motion controller, in particular:
  - Machinery Directive 2006/42/EC
  - EMC Directive 2004/108/EC
  - Low-Voltage Directive 2006/95/EC
  - The work safety regulations/safety rules
- Manufacturers and owners of the machine on which a Motion controller is used are responsible for obtaining and observing all applicable safety regulations and rules. For Declaration of Conformity (DoC), MITSUBISHI ELECTRIC EUROPE B.V., declares that the Motion controllers are in compliance with the necessary requirements and standards (2006/42/EC, 2004/108/EC and 2006/95/EC). You can obtain the copy of Declaration of Conformity from our website.
- Observe the contents of "Motion controller programming manual (Safety Observation)"
- The tests must be carried out by specialized personnel or specially qualified and authorized personnel and must be recorded and documented to ensure that the tests can be reconstructed and retraced at any time by third parties.
- The external voltage supply of the device must be capable of buffering brief main voltage failures of 20ms as specified in IEC 60204-1.
- The system may not start up normally if power is restored immediately after shut down (within five seconds). Wait for five seconds or longer before restoring power.

## 2.5 Disposal

Disposal of unusable or irreparable devices should always occur in accordance with the applicable country-specific waste-disposal regulations (e.g. European Waste Code 16 02 14).

## 2.6 Residual risks

Define all risk assessments and residual risks for the whole machine to ensure safety. The company and/or individuals who constructed the system take responsibility for everything in terms of safety system installation and commission. In addition, to correspond to EC Machinery Directive, the safety standard needs to be certified as the whole system. Execute all risk assessment and safe level verification for the equipment and the whole system. It is recommended to use third-party certifier as a final certifier of the system.

The residual risk in safety function of this product is shown below.

- This function does not detect errors among the parameters and programs that are set by you. Therefore, safety of machines cannot be secured unless the safety operation test is performed on the machines.

- At the shipment to end-users, confirm the safety related setting by monitoring status and displayed details of the programming tools and displays. Also, record and save the setting data of safety-related information and programming tools by using check sheet, etc.
- Safety cannot be secured unless assembling, installation, wiring and adjustment of the machine are completed. For the installation, wiring and adjustment, follow the instructions in the user's manual of each module.
- Only qualified personnel are authorized to install, start-up, repair or service the machines in which components are installed. Only trained engineers should install and operate the equipment. (ISO 13849-1 Table F.1 No.5)
- Separate the wiring for safety function from other signal wirings. (ISO 13849-1 Table F.1 No.1)
- Protect the cables with appropriate ways (routing them in a cabinet, using a cable guard, etc.)
- To use the switch, relay and sensor which complies with the safety standards is recommended. In case of using the switch, relay and sensor which does not comply with the safety standard, please apply them for the certifications.
- Keep the required clearance/creepage distance depending on voltage.
- Time to detect the safety observation error depend on the process cycle of safety observation of each CPU.

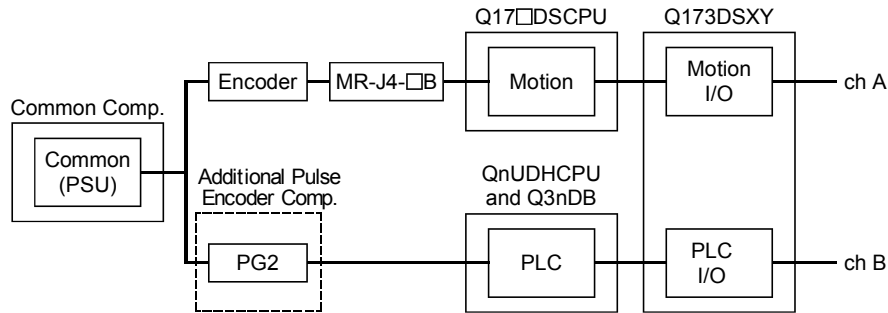
The residual risk in each function of safety function is shown below.

#### **(1) Safety signal comparison**

- Make sure that the mounting location of the safety signal module, MT Developer2 number head device, and GX Works2/GX Developer I/O assignments are correctly set.
- When a signal error occurs, make sure that safety is secured within the signal mismatch permissible time that is set by a parameter.
- Even when a signal error occurs, the servo motor does not stop automatically. Give a (forced) stop command and execute a forced stop processing.
- Make sure that the ladder name to be written to a PLC CPU is not the same as that of sequence programs for safety observation.
- Make sure that the safety signal is properly input via two different paths.
- Make sure that the screws will not get loose after fixing the connector on the safety signal module.
- Make sure that all the modules are firmly inserted into the main base unit or extension base unit.
- Scan time processing must be within 100ms so that PLC CPU performs the comparison function within a certain process time. Make sure that the program contents can be handled less than 100ms. If the scan time is 100ms or longer, PLC CPU should be added for safety to distribute the load of the safety process.

## (2) Speed monitoring function (SLS)

- Under the condition that the failure rate of the additional pulse encoder components does not exceed 195FIT/395FIT the resulting PFD/PFH will be less than 195FIT/395FIT. (See below diagram.)



- Avoid the continuous use (about 8 hours) of the same Speed Monitor parameter block to prevent the accumulation of errors.
- Speed monitoring function guarantees the motor control (the motor rotation speed), but it does not guarantee the actual machine safety speed. Make sure to set parameters so that the safe speed of the machine is the same as the safety speed of the motor.
- When SLS function of speed zero (stop) does not have command data from a controller, please switch to SOS function or must use external sensor (PLG) together.
- The accuracy of safety speed observation depends on the external auxiliary pulses which is external input pulse. Therefore, the number of the external input pulses for safety speed must be determined considering the external auxiliary pulses resolution and the allowance input pulse frequency.
- Check if the rotation speed of the monitored servo axis is the same as the actual speed by using a tachometer, etc. considering the speed includes an error caused by the encoder resolution of the external auxiliary input pulses.
- The defect of the mechanical section such as slid of shaft and wanting of a timing belt, etc is not covered. Be sure to eliminate the risk of mechanical section before operation.
- Speed monitoring error detection time is set to 10ms, but the time resolution in the actual operation is 25ms. Error in shorter than this time are not detected.
- Create sequence program so that Scan time is within 25ms to make sure that PLC CPU performs the safety monitoring function within a certain process time. If scan time is 25ms or longer, PLC CPU should be added to distribute the load of the process.
- Safety observation error (shutdown signal OFF) does not occur during the time set by the speed monitoring parameters after speed is over the limit. Make sure that safety can be ensured during this period.
- The error occurs when detected speed is different between the motor encoder and the external auxiliary input pulse, and the time required to detect the error depends on the frequency of the external auxiliary pulse. Determine the number of external input pulse considering the error detection risk.

## (3) Safe Speed Monitor (SSM)

- If the safety output condition of SSM is used as a restart trigger, incidental start-up cannot be prevented. A restart interlock must comply with EN60204-1. However, using it as the operation ready signal is possible.



#### **(4) Shut-off function (STO, SS1)**

- STO function disables energy supply to the servo motor by electrical shut-off. The function does not mechanically disconnect electricity from the motor. Therefore, it cannot prevent exposure to electric shock, install a magnetic contactor or a molded case circuit breaker to the main circuit power supply (L1, L2, and L3) of the servo amplifier.
- STO function can disable the energy to servo motor by the electrical shutoff. This function does not guarantee the procedure of stopping the servo motor and deceleration control.
- SS1 function only guarantees the delay time before STO becomes effective.
- If SS1 delay time is shorter than servo motor deceleration time, or forced stop function has an error, STO becomes effective during motor rotation, dynamic brake stop or free-run stop is activated.
- Even if STO function becomes effective with a STO switch, voltage may be left in the servo amplifier and servo motor due to the inherent delay of the equipment.
- When the servo amplifier is replaced, make sure that new one is the same type as the old one. After installation, make sure to check the performance of safety function before operating the system.
- Check the safety at a certain cycle which is defined by the safety standard to prevent the accumulation of failures. Check the safety at least once a day regardless of system safety level.
- If a power module of a servo amplifier shorted at the upper and lower positions, the servo motor axis rotates half at maximum. For a linear servo motor, the primary side will move a distance of pole pitch.
- Make sure to supply STO input signals (STO1, STO2) from one power supply. Otherwise, the STO function may not function properly due to a sneak current, failing to bring the STO shut-off state.
- For the STO I/O signals of the STO function, supply power by using a safety extra low voltage (SELV) power supply with the reinforced insulation.

#### **(5) Standstill monitoring (SS2, SOS)**

- The position dependent safety function (SOS) is based on two independent safety-related sensors. One of them is part of the motor, which has a built-in encoder (for functional motion control); the other must be provided by the customer's application (e.g. an external sensor, PLG).
- During Safe Operating Stop, make sure that monitoring status is effective by small oscillation before a certain period of time (about one hour) elapses in the stop status. However, an error cannot be detected in the check interval. (The derivation of failure until next check cannot be detected.) If stop time becomes long, use Safe Brake Control (SBC) as mechanical rock or perform Safe Torque Off (STO).
- Avoid the continuous use of Safe Operating Stop (SOS) for eight hours or more to prevent the accumulation of failure. If stop time becomes long, stop the break (SBC) by mechanical rock or perform Safe Torque Off (STO).
- Encoder position feedback data does not guarantee the range out of the small oscillation. Therefore, make sure that motor encoder feedback position can operate normally in the machine mobile region. At least, the performance check of motor mobile region is required.
- The position assurance of the motor with SOS is 1.75 pulses with the external auxiliary input pulse conversion.

#### **(6) Safe Brake Control (SBC)**

- This function guarantees only that power to mechanic break is properly supplied. Abrasion of the brake cannot be detected. Make sure regularly if the mechanic brake can operate.



### 3 Conditions of use for the product

- (1) Motion controller complies with a safety standard, but this fact does not guarantee that Product will be free from any malfunction or failure. The user of this Product shall comply with any and all applicable safety standard, regulation or law and take appropriate safety measures for the system in which the Product is installed or used and shall take the second or third safety measures other than the Product. MELCO is not liable for damages that could have been prevented by compliance with any applicable safety standard, regulation or law.
- (2) MELCO prohibits the use of Products with or in any application involving, and MELCO shall not be liable for a default, a liability for defect warranty, a quality assurance, negligence or other tort and a product liability in these applications.
  - 1) power plants,
  - 2) trains, railway systems, airplanes, airline operations, other transportation systems,
  - 3) hospitals, medical care, dialysis and life support facilities or equipment,
  - 4) amusement equipments,
  - 5) incineration and fuel devices,
  - 6) handling of nuclear or hazardous materials or chemicals,
  - 7) mining and drilling,
  - 8) and other applications where the level of risk to human life, health or property are elevated.

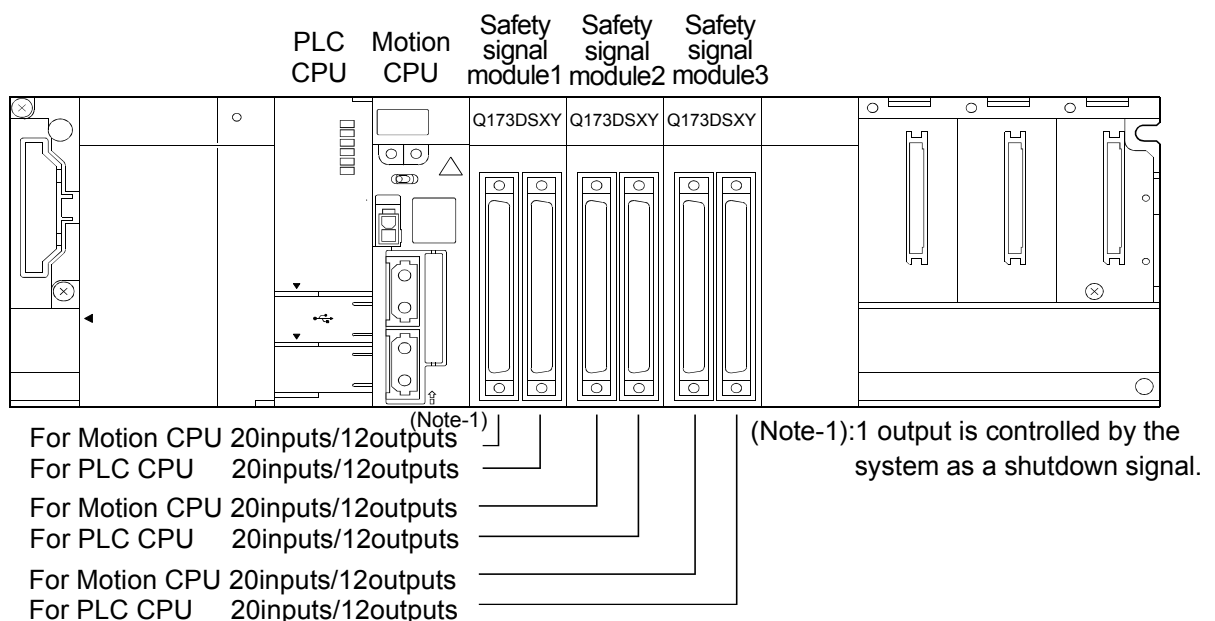
### 4 Product description

#### 4.1 Safety signal module Q173DSXY

The Safety signal module is the I/O combined module that has 20 safety input points ×2 paths and 12 safety output points ×2 paths. It fulfills the following tasks:

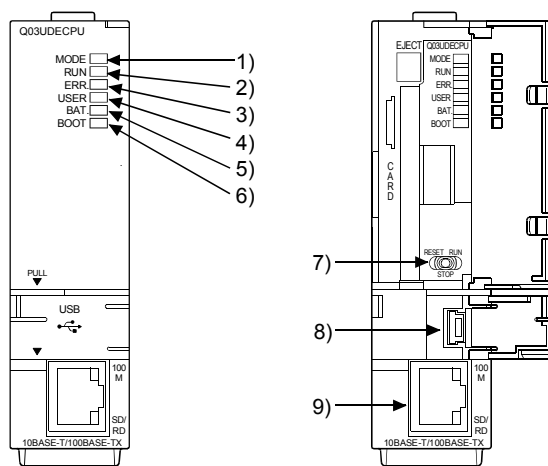
- Passing on the input information to the Motion CPU and PLC CPU module.
- Receiving the control signals from the Motion CPU and PLC CPU module and corresponding switching of the outputs
- Passing on the output information to the Motion CPU and PLC CPU module.

Q173DSXY is not available separately from Motion controller and PLC. Please use with Motion controller and PLC. Up to three Q173DSXY are used on one base unit. It can not be used on the extension base unit.



## 4.2 Name of parts

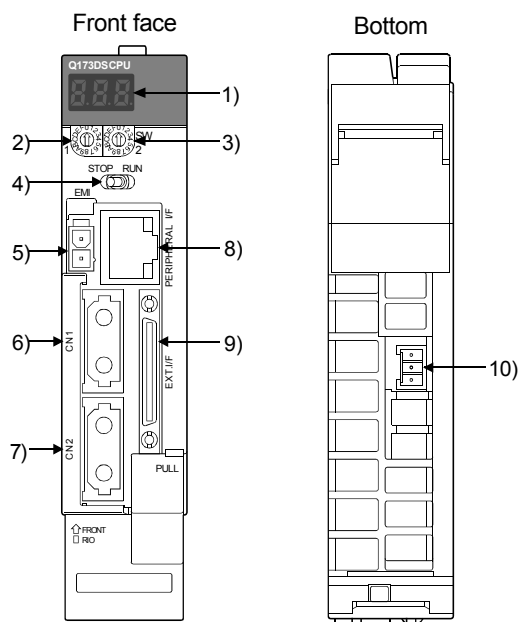
### (1) PLC CPU module QnUDE(H)CPU



No.	Name	Application
1)	MODE LED	Indicates the mode of the CPU module.
2)	RUN LED	Indicates the operating status of the CPU module. ON : RUN OFF : STOP
3)	ERR. LED	ON : Detection of self-diagnosis error which will not stop operation Flash : Detection of the error that stops operation. OFF : Normal
4)	USER LED	ON : Annunciator (F) turned on OFF : Normal
5)	BAT. LED	ON (yellow) : Battery error of the memory card. Flash (yellow) : Battery error of the CPU module battery. ON (green) : After the restoration of data to the standard ROM, lit for 5 seconds. Flash (green) : When the backup is complete to the standard ROM. OFF : Normal
6)	BOOT LED	ON : Start of boot operation OFF : Non-execution of boot operation
7)	RUN/STOP/ RESET switch	RUN : Executes sequence program operation. STOP : Stops sequence program operation. RESET : Performs hardware reset.
8)	USB connector (Note-1)	Connector for connection with USB-compatible peripheral device.
9)	Ethernet connector <sup>(Note-1)</sup>	Connector for connecting an Ethernet device

(Note-1): Write the safety parameters and safety sequence program to CPU module by connecting the peripheral devices to this connector. Switch the destination to the PLC CPU or Motion CPU by setting of the peripheral devices.

(2) Motion CPU Q173DSCPU

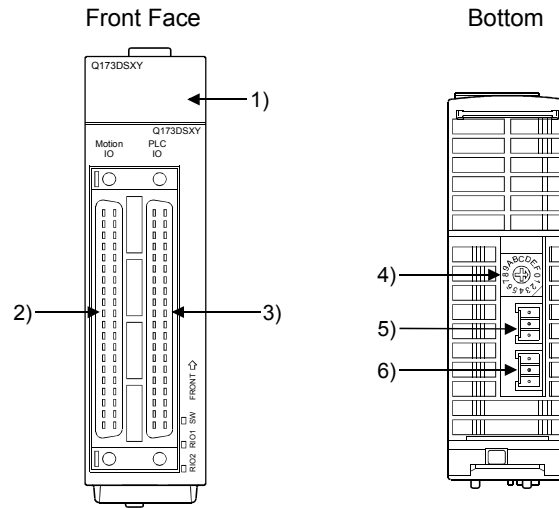


No.	Name	Application
1)	7-segment LED	Indicates the operating status and error information.
2)	Rotary function select 1 switch	<ul style="list-style-type: none"> <li>Set the operation mode. (Normal operation mode, Installation mode, Mode operated by ROM, etc)</li> <li>When user safety sequence program writes to CPU is a rotary switch setting "1" is set to.</li> </ul>
3)	Rotary function select 2 switch (Note-1)	
4)	RUN/STOP switch	RUN : Motion program is started. STOP : Motion program is stopped.
5)	Forced stop input connector (EMI)	Input to stop all axes of servo amplifier in a lump
6)	SSCNET III CN1 connector	Connector to connect the servo amplifier of system 1 (up to 16 axes)
7)	SSCNET III CN2 connector	Connector to connect the servo amplifier of system 2 (up to 16 axes)
8)	PERIPHERAL I/F connector (Note-2)	For communication I/F with peripheral devices
9)	Internal I/F connector	Connector to connect the manual pulse generator/incremental synchronous encoder, or to input/output the signals.
10)	RIO connector	For the connection with Safety signal module (Q173DSXY) connector.

(Note-1): In the case of monitoring or writing the safety sequence program of the Motion CPU, communicate from the peripheral devices (GX Works2/GX Developer) by setting the rotary switch to "1". Restart of system is not needed after changing switch.  
 "Other than 1": Communication with MT Developer2 is possible.  
 (Used when writing safety parameters)  
 "1" : Communication with GX Works2/GX Developer is possible.  
 (Used when writing safety sequence program to the Motion CPU)

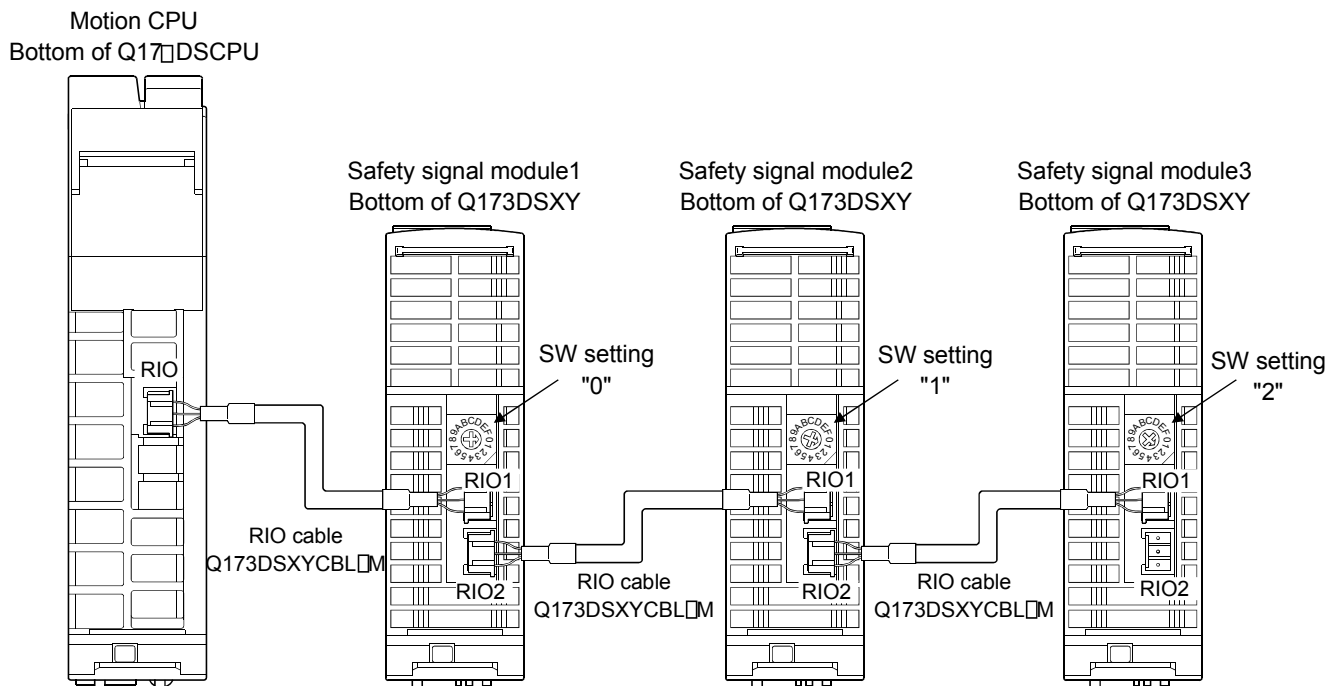
(Note-2): Write the safety parameters and safety sequence program to CPU module by connecting the peripheral devices in this connector. Switch the destination to the PLC CPU or Motion CPU by setting of the peripheral devices.

### (3) Safety signal module Q173DSXY



No.	Name	Application
1)	I/O indicator LED	Used to indicate the I/O status (on/off). (Only the PLC)
2)	Motion IO connector	The safety signal connector Motion CPU
3)	PLC IO connector	The safety signal connector PLC CPU
4)	Rotary switch for station number setting	For setting of the module station number Module 1 → Setting 0 Module 2 → Setting 1 Module 3 → Setting 2
5)	RIO1 connector	RIO communication connector for Motion CPU Connect to Motion CPU "RIO", or other safety signal unit "RIO2" connected
6)	RIO2 connector	RIO communication connector for Motion CPU Connect to other safety signal unit "RIO2" connected

#### • Connection example of the Motion controller and safety signal module



### 4.3 Pin layout of safety signal module connector

Pin No.	Signal Type	Signal name	Pin No.	Signal Type	Signal name
1B20	IN	MC-X00	2B20	IN	PLC-X00
1B19	IN	MC-X01	2B19	IN	PLC-X01
1B18	IN	MC-X02	2B18	IN	PLC-X02
1B17	IN	MC-X03	2B17	IN	PLC-X03
1B16	IN	MC-X04	2B16	IN	PLC-X04
1B15	IN	MC-X05	2B15	IN	PLC-X05
1B14	IN	MC-X06	2B14	IN	PLC-X06
1B13	IN	MC-X07	2B13	IN	PLC-X07
1B12	IN	MC-X08	2B12	IN	PLC-X08
1B11	IN	MC-X09	2B11	IN	PLC-X09
1B10	IN/OUT (Note-1), (Note-2)	MC-Y0A/X0A	2B10	IN/OUT (Note-1), (Note-2)	PLC-Y0A/X0A
1B09	IN/OUT (Note-1)	MC-Y0B/X0B	2B09	IN/OUT (Note-1)	PLC-Y0B/X0B
1B08	IN/OUT	MC-Y0C/X0C	2B08	IN/OUT	PLC-Y0C/X0C
1B07	IN/OUT	MC-Y0D/X0D	2B07	IN/OUT	PLC-Y0D/X0D
1B06	IN/OUT	MC-Y0E/X0E	2B06	IN/OUT	PLC-Y0E/X0E
1B05	IN/OUT	MC-Y0F/X0F	2B05	IN/OUT	PLC-Y0F/X0F
1B04	—	No connect	2B04	—	No connect
1B03	—	No connect	2B03	—	No connect
1B02	COM1	24VDC	2B02	COM1	24VDC
1B01	COM1	24VDC	2B01	COM1	24VDC
1A20	IN	MC-X10	2A20	IN	PLC-X10
1A19	IN	MC-X11	2A19	IN	PLC-X11
1A18	IN	MC-X12	2A18	IN	PLC-X12
1A17	IN	MC-X13	2A17	IN	PLC-X13
1A16	IN	MC-X14	2A16	IN	PLC-X14
1A15	IN	MC-X15	2A15	IN	PLC-X15
1A14	IN	MC-X16	2A14	IN	PLC-X16
1A13	IN	MC-X17	2A13	IN	PLC-X17
1A12	IN	MC-X18	2A12	IN	PLC-X18
1A11	IN	MC-X19	2A11	IN	PLC-X19
1A10	IN/OUT (Note-1)	MC-Y1A/X1A	2A10	IN/OUT (Note-1)	PLC-Y1A/X1A
1A09	IN/OUT (Note-1)	MC-Y1B/X1B	2A09	IN/OUT (Note-1)	PLC-Y1B/X1B
1A08	IN/OUT	MC-Y1C/X1C	2A08	IN/OUT	PLC-Y1C/X1C
1A07	IN/OUT	MC-Y1D/X1D	2A07	IN/OUT	PLC-Y1D/X1D
1A06	IN/OUT	MC-Y1E/X1E	2A06	IN/OUT	PLC-Y1E/X1E
1A05	IN/OUT	MC-Y1F/X1F	2A05	IN/OUT	PLC-Y1F/X1F
1A04	—	No connect	2A04	—	No connect
1A03	—	No connect	2A03	—	No connect
1A02	COM2	0V	2A02	COM2	0V
1A01	COM2	0V	2A01	COM2	0V

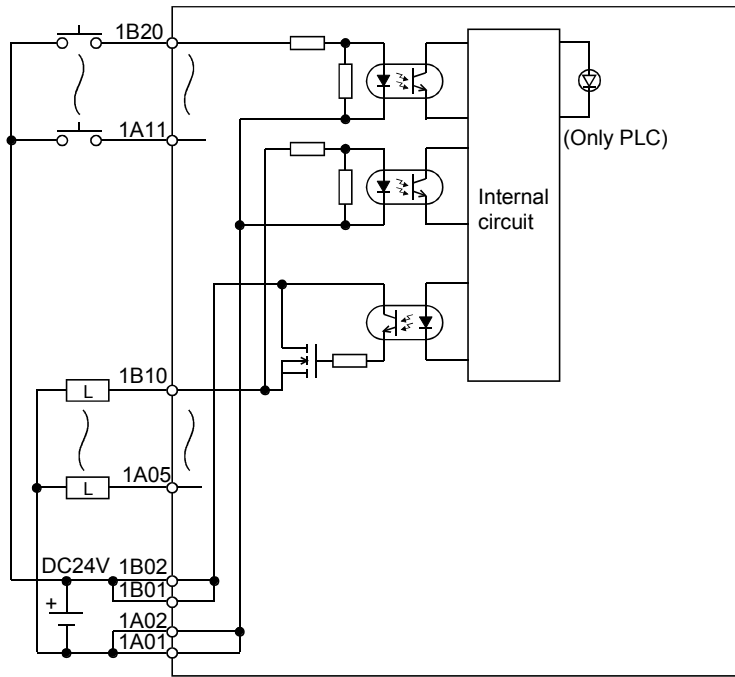
Motion IO

PLC IO

Front view of the module

(Note-1): 0.2A output is possible assumed the output specification. (another output is 0.1A.)  
 (Note-2): Controlled by the system. (Safety function normally is turned ON, abnormally is turned OFF.)

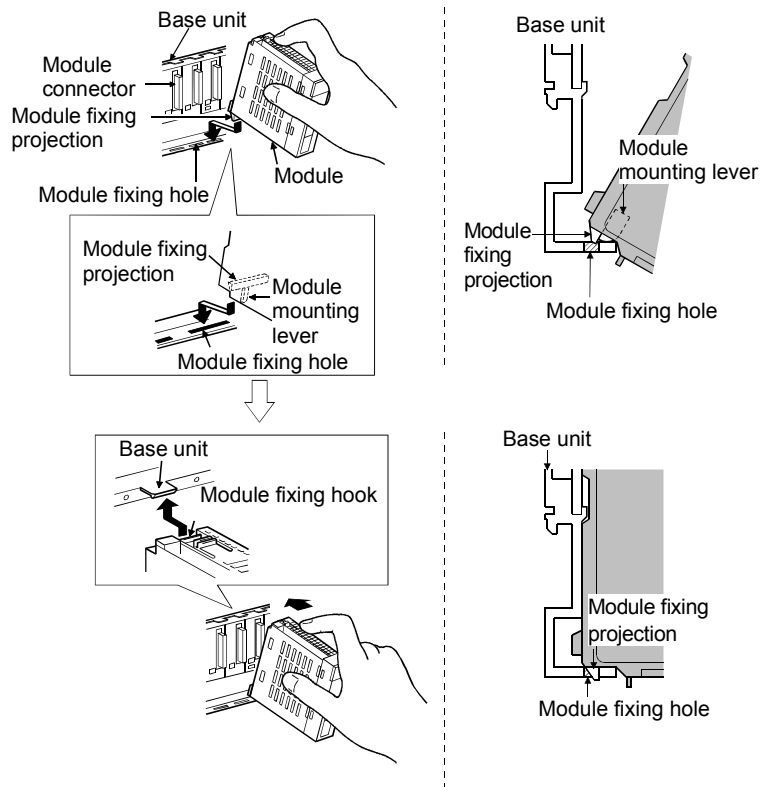
## 4.4 External wiring diagram





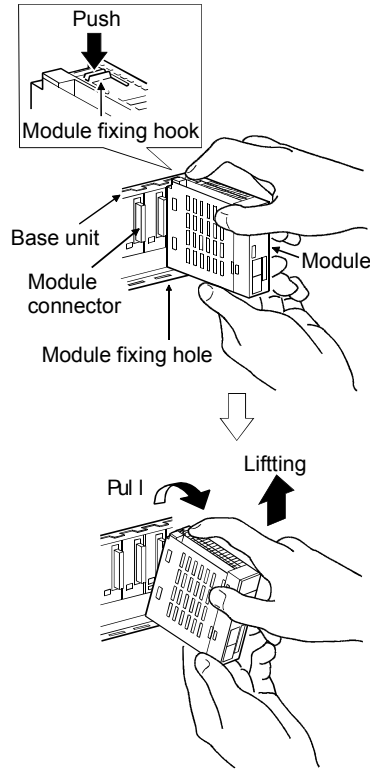
## 5 Mounting/Dismantling

### 5.1 Mounting the modules



- When installing the module, always insert the module fixing projection into the module fixing hole of the base unit.  
At that time, securely insert the module fixing projection so that it does not come off from the module fixing hole.  
If the module is forcibly installed without the latch being inserted, the module connector and module will be damaged.
- When using the modules in a place where there is large vibration or impact, screw the module to the base unit.  
Module fixing screw: M3×12 (user-prepared)  
Screw the Motion CPU module to the main base unit using supplied fixing screws.
- Do not install/remove the module onto/from base unit or terminal block more than 50 times, after the first use of the product. Failure to do so may cause the module to malfunction due to poor contact of connector.

## 5.2 Removal



- When the module fixing screw is used, always remove the module by removing the module fixing screw and then taking the module fixing projection off the module fixing hole of the base unit.  
Attempting to remove the module by force may damage the module fixing projection.
- Do not touch the heat radiating fins of controller or module case, etc. while the power is ON and for a short time after the power is turned OFF. In this timing, these parts become very hot and may lead to burns.  
Remove the modules while paying attention.
- Completely turn off the externally supplied power used in the system before installation or removing the module. Not doing so could result in electric shock or damage to the product.

## 6 Wiring



---

### **De-energize the entire system**

The system could start up unexpectedly while you are connecting the devices.

---

- Select the wire and DC power supply to keep input voltage in the range of 21.6 to 26.4VDC including the ripple voltage and voltage spike to the safety signal module which is measured at the input connector.
- When wiring in the safety signal module, be sure that it is done correctly by checking the product rated voltage and the terminal layout. Connecting a power supply that is different from the rating or incorrectly wiring the product could result in fire or damage.
- Be sure to use a shield cable for connection of the CTRL connector and external equipment, and avoid running it close to or bundling it with the power and main circuit cables to minimize the influence of electromagnetic interface. (Separate them more than 200mm (0.66ft.) away.)
- Connect the shield wire of the connection cable to the FG terminal of the external equipment.
- Securely tighten the cable connector fixing screws and fixing mechanisms. Insufficient fixing may lead to cables coming off during operation.
- Be sure to wire the cables when power is off. Not doing so may damage the circuit of modules.
- Wire the cable correctly. The safety function may not work correctly by wrong wiring. Please make sure the wiring and test sufficiently.

## 7 Technical data

### 7.1 Safety specification

Item	Specification
Category	Category3 (EN ISO13849-1)
Safety Integrity Level	SIL CL2 (EN62061)
Performance Level	PL d (EN ISO13849-1)
MTTFd	169 years or longer
DC	Low
PFH	$2.17 \times 10^{-8} \text{ hr}^{-1}$
Safety functions	Safety signal comparison, STO, SS1, SS2, SOS, SLS, SBC, SSM (IEC61800-5-2:2007)

(Note): Scope of the safety specifications is only processing block.

Input block (including sensor) and output block (contactor and safety servo STO function) are not included.

### 7.2 General Specifications

Item	Specification
Operating ambient temperature	0 to 55°C (32 to 131°F)
Storage ambient temperature	-25 to 75°C (-13 to 167°F)
Operating ambient humidity	5 to 95% RH, non-condensing
Storage ambient humidity	5 to 95% RH, non-condensing
Vibration resistance	Compliant with IEC 61131-2
Shock resistance	
Operating ambience	No corrosive gases
Operating altitude <sup>(Note-1)</sup>	2000m (6562 feet) max.
Installation location	Inside control panel
Overvoltage category <sup>(Note-2)</sup>	II max.
Pollution level <sup>(Note-3)</sup>	2 max.

(Note-1): Do not use or store the Motion controller under pressure higher than the atmospheric pressure of altitude 0m. Doing so can cause a malfunction.

When using the modules under pressure, please contact your sales representative.

(Note-2): This indicates the section of the power supply to which the equipment is assumed to be connected between the public electrical power distribution network and the machinery within premises. Category II applies to the equipment for which electrical power is supplied from fixed facilities. The surge voltage withstand level for up to the rated voltage of 300V is 2500V.

(Note-3): This index indicates the degree that the conductive material is generated in terms of the environment in which the equipment is used.

Pollution level 2 is when only non-conductive pollution occurs. A temporary conductivity caused by condensing must be expected occasionally.

Mount the Motion controller on a cabinet which meets IP54 in the correct vertical direction to maintain pollution level 2.

### 7.3 PLC CPU Specifications

Item	Specification
5VDC internal current consumption	0.33 to 0.55A
External dimensions	98(H) × 27.4(W) × 89.3 to 115(D) mm 3.86(H) × 1.08(W) × 3.52 to 4.53(D) inch
Mass	0.2 to 0.24 kg
Included items	Module×1, Battery (Q6BAT)×1

## 7.4 Motion CPU Specifications

Item	Specification
5VDC internal current consumption	1.3 to 1.75A
External dimensions	98 to 120.5(H) × 27.4(W) × 119.3 to 120.3(D) mm 3.86 to 4.74(H) × 1.08(W) × 4.7 to 4.74(D) inch
Mass	0.33 to 0.38 kg
Included items	Module×1, Battery (Q6BAT)×1 Battery holder unit (Q170BATC)×1 <sup>(Note-1)</sup> Battery cable (Q170DBATCBL05M)×1 <sup>(Note-1)</sup> Safety Guidelines (IB-67423)×1

(Note-1): Q17□DCPU-S1 Only

## 7.5 Safety signal module Q173DSXY Specifications

Item	Specification
Number of inputs	32 inputs × 2 paths (32 for PLC CPU control + 32 for Motion CPU control, 20 safety inputs × 2 paths and 12 feedback inputs × 2 paths)
Input-side insulation method	Photo coupler
Rated input voltage	24VDC (+10/-10%, ripple rate within 5%)
Rated input current	Approx. 4mA/point
Input resistance	Approx. 8.2k ohm
ON voltage/ON current	20V or higher/3mA or higher
OFF voltage/OFF current	5V or lower/1.7mA or lower
Input response time	PLC CPU control input: 10ms (digital filter's initial value) Motion CPU control input: 5 to 15ms (CR filter)
Input common	32 points, negative common type (PLC I/O and Motion I/O are separated)
Input type	Type 1, Current sinking
Number of outputs	12 outputs × 2 paths (PLC CPU control 12 outputs + Motion CPU control 12 outputs)
Output-side insulation method	Photo coupler
Rated load voltage	24VDC (+10/-10%, ripple rate within 5%)
Max. load current	(0.1A × 8 ports, 0.2A × 4 ports) × 2 paths Common current: 1.6A or less for each connector
Max. inrush current	0.7A within 10ms (1.4A within 10ms for 0.2A output pin)
Output response time	1ms or less (Rated load, resistance load)
Output common	12 points, source type (PLC I/O and Motion I/O are separated)
Output type	Current sourcing
External power supply	24VDC (+10/-10%, ripple rate within 5%)
Performance indication	ON indication (LED), indicates PLC CPU's 32 input points
Number of occupied I/O points	32 points (In I/O assignment, set as a 32-point I/O module)
Applicable wire size	0.3mm <sup>2</sup>
External wiring connector	A6CON1(Accessory), A6CON2, A6CON3, A6CON4(Optional)
PLC CPU communication style	BUS transmission
Motion CPU communication style	Serial transmission (RS-485), Use a RIO cable Q173DSXYCBL01M (Accessory): 0.1m (0.33ft.) Q173DSXYCBL05M (Optional) : 0.5m (1.64ft.)
Number of module	Up to 3 modules (installed only on main base unit)
5VDC internal current consumption	200mA (When TYP. all points ON)
External dimensions	98(H)×27.4(W)×90(D) mm 3.86(H)×1.08(W)×3.54(D) inch
Mass	0.15kg
Included item	Module×1, RIO cable (Q173DSXYCBL01M)×1 I/O connector (A6CON1)×2, This manual (IB-0300186)×1

## 8 Check list for user documentation



### Motion controller installation checklist for manufacturer/installer

The following items must be satisfied by the initial test operation at least. The manufacturer/installer must be responsible for checking the standards in the items.

Maintain and keep this checklist with related documents of machines to use this for periodic inspection.

- |  |   |
|--|---|
| 1. Is it based on directive/standard applied to the machine?                     | Yes [ <input type="checkbox"/> ], No [ <input type="checkbox"/> ] |
| 2. Is directive/standard contained in Declaration of Conformity (DoC)?           | Yes [ <input type="checkbox"/> ], No [ <input type="checkbox"/> ] |
| 3. Does the protection instrument conform to the category required?              | Yes [ <input type="checkbox"/> ], No [ <input type="checkbox"/> ] |
| 4. Are electric shock protective measures (protection class) effective?          | Yes [ <input type="checkbox"/> ], No [ <input type="checkbox"/> ] |
| 5. Is the safety observation function checked (test of all the shut-off wiring)? | Yes [ <input type="checkbox"/> ], No [ <input type="checkbox"/> ] |

Checking the items will not be instead of the first test operation or periodic inspection by professional engineers.



## **WARRANTY**

Please confirm the following product warranty details before using this product.

### **1. Gratis Warranty Term and Gratis Warranty Range**

We will repair any failure or defect hereinafter referred to as "failure" in our FA equipment hereinafter referred to as the "Product" arisen during warranty period at no charge due to causes for which we are responsible through the distributor from which you purchased the Product or our service provider. However, we will charge the actual cost of dispatching our engineer for an on-site repair work on request by customer in Japan or overseas countries. We are not responsible for any on-site readjustment and/or trial run that may be required after a defective unit are repaired or replaced.

#### **[Gratis Warranty Term]**

The term of warranty for Product is thirty six (36) months after your purchase or delivery of the Product to a place designated by you or forty two (42) months from the date of manufacture whichever comes first "Warranty Period". Warranty period for repaired Product cannot exceed beyond the original warranty period before any repair work.

#### **[Gratis Warranty Range]**

- (1) You are requested to conduct an initial failure diagnosis by yourself, as a general rule. It can also be carried out by us or our service company upon your request and the actual cost will be charged. However, it will not be charged if we are responsible for the cause of the failure.
- (2) This limited warranty applies only when the condition, method, environment, etc. of use are in compliance with the terms and conditions and instructions that are set forth in the instruction manual and user manual for the Product and the caution label affixed to the Product.
- (3) Even during the term of warranty, the repair cost will be charged on you in the following cases;
  - 1) A failure caused by your improper storing or handling, carelessness or negligence, etc., and a failure caused by your hardware or software problem
  - 2) A failure caused by any alteration, etc. to the Product made on your side without our approval
  - 3) A failure which may be regarded as avoidable, if your equipment in which the Product is incorporated is equipped with a safety device required by applicable laws and has any function or structure considered to be indispensable according to a common sense in the industry
  - 4) A failure which may be regarded as avoidable if consumable parts designated in the instruction manual, etc. are duly maintained and replaced
  - 5) Any replacement of consumable parts (battery, fan, etc.)
  - 6) A failure caused by external factors such as inevitable accidents, including without limitation fire and abnormal fluctuation of voltage, and acts of God, including without limitation earthquake, lightning and natural disasters
  - 7) A failure generated by an unforeseeable cause with a scientific technology that was not available at the time of the shipment of the Product from our company
  - 8) Any other failures which we are not responsible for or which you acknowledge we are not responsible for



## **2. Onerous Repair Term after Discontinuation of Production**

- (1) We may accept the repair at charge for another seven (7) years after the production of the product is discontinued.  
The announcement of the stop of production for each model can be seen in our Sales and Service, etc.
- (2) Please note that the Product (including its spare parts) cannot be ordered after its stop of production.

## **3. Service in overseas countries**

Our regional FA Center in overseas countries will accept the repair work of the Product; However, the terms and conditions of the repair work may differ depending on each FA Center. Please ask your local FA center for details.

## **4. Exclusion of Loss in Opportunity and Secondary Loss from Warranty Liability**

Whether under or after the term of warranty, we assume no responsibility for any damages arisen from causes for which we are not responsible, any losses of opportunity and/or profit incurred by you due to a failure of the Product, any damages, secondary damages or compensation for accidents arisen under a specific circumstance that are foreseen or unforeseen by our company, any damages to products other than the Product, and also compensation for any replacement work, readjustment, start-up test run of local machines and the Product and any other operations conducted by you.

## **5. Change of Product specifications**

Specifications listed in our catalogs, manuals or technical documents may be changed without notice.

## **6. Precautions for Choosing the Products**

- (1) For the use of our Motion controller, its applications should be those that may not result in a serious damage even if any failure or malfunction occurs in Motion controller, and a backup or fail-safe function should operate on an external system to Motion controller when any failure or malfunction occurs.
- (2) Our Motion controller is designed and manufactured as a general purpose product for use at general industries.

Therefore, applications substantially influential on the public interest for such as atomic power plants and other power plants of electric power companies, and also which require a special quality assurance system, including applications for railway companies and government or public offices are not recommended, and we assume no responsibility for any failure caused by these applications when used.

In addition, applications which may be substantially influential to human lives or properties for such as airlines, medical treatments, railway service, incineration and fuel systems, man-operated material handling equipment, entertainment machines, safety machines, etc. are not recommended, and we assume no responsibility for any failure caused by these applications when used.

We will review the acceptability of the abovementioned applications, if you agree not to require a specific quality for a specific application. Please contact us for consultation.

# MITSUBISHI ELECTRIC Global FA Centers

## China

### Shanghai FA Center

Mitsubishi Electric Automation (CHINA) Ltd.  
Shanghai FA Center  
Mitsubishi Electric Automation Center No.1386,  
Hong Qiao Road, Changning, Shanghai, 20036,  
China  
Tel: 86-21-2322-3030 Fax: 86-21-2322-3000

### Beijing FA Center

Mitsubishi Electric Automation (CHINA) Ltd.  
Beijing FA Center  
9F, Office Tower 1, Henderson Centre, 18  
Jianguomennei Avenue, Dongcheng District,  
Beijing, China  
Tel: 86-10-6518-8830 Fax: 86-10-6518-3907

### Tianjin FA Center

Mitsubishi Electric Automation (CHINA) Ltd.  
Tianjin FA Center  
Unit 2003-2004B, Tianjin City Tower, No.35, You  
Yi Road, He Xi District, Tianjin, China  
Tel: 86-22-2813-1015 Fax: 86-22-2813-1017

### Guangzhou FA Center

Mitsubishi Electric Automation (CHINA) Ltd.  
Guangzhou FA Center  
Rm.1609, North Tower, The Hub Center,  
No.1068,  
Xin Gang East Road,  
Haizhu District, Guangzhou, China  
Tel: 86-20-8923-6730 Fax: 86-20-8923-6715

## Taiwan

### Taiwan FA Center

Setsuyo Enterprise Co., Ltd.  
3F., No.105, Wugong 3rd, Wugu Dist,  
New Taipei City 24889, Taiwan, R.O.C  
Tel: 886-2-2299-9917 Fax: 886-2-2299-9963

## Korea

### Korean FA Center

Mitsubishi Electric Automation  
Korea Co., Ltd. (Service)  
B1F, 2F, 1480-6, Gayang-Dong, Gangseo-Gu,  
Seoul, 157-200, Korea  
Tel: 82-2-3660-9630 Fax: 82-2-3663-0475

## Thailand

### Thailand FA Center

Mitsubishi Electric Automation (Thailand) Co.,Ltd.  
Bang-Chan Industrial Estate No.111,  
Soi Serithai 54,T.Kannayao, A.Kannayao,  
Bangkok 10230, Thailand  
Tel: 66-2906-3238 Fax: 66-2906-3239

## Asean

### ASEAN FA Center

Mitsubishi Electric Asia Pte. Ltd.  
ASEAN Factory Automation Centre  
307 Alexandra Road #05-01/02, Mitsubishi Electric  
Building, Singapore  
Tel: 65-6470-2480 Fax: 65-6476-7439

## India

### India FA Center

Mitsubishi Electric India Pvt. Ltd.  
India Factory Automation Centre  
2nd Floor, DLF Building No.9B, DLF Cyber City  
Phase III, Gurgaon 122002, Haryana, India  
Tel: 91-124-4630300 Fax: 91-124-4630399

## America

### North American FA Center

Mitsubishi Electric Automation, Inc.  
500 Corporate Woods Parkway, Vernon Hills, IL  
60061, U.S.A  
Tel: 1-847-478-2100 Fax: 1-847-478-2253

## Brazil

### Brazil FA Center

MELCO-TEC Representacao Comercial e Assessoria  
Tecnica Ltda.  
Av. Paulista, 1439, cj74, Bela Vista, Sao Paulo CEP:  
01311-200 - SP Brazil  
Tel: 55-11-3146-2200 Fax: 55-11-3146-2217

## Europe

### European FA Center

Mitsubishi Electric Europe B.V. Polish Branch  
Krakowska 50, 32-083 Balice, Poland  
Tel: 48-12-630-4700 Fax: 48-12-630-4701

### German FA Center

Mitsubishi Electric Europe B.V. - German Branch  
Gothaer Strasse 8, D-40880 Ratingen, Germany  
Tel: 49-2102-486-0 Fax: 49-2102-486-1120

### Czech Republic FA Center

Mitsubishi Electric Europe B.V. -o.s. Czech office  
Avenir Business Park, Radicka 714/113a, 158 00  
Praha5, Czech Republic  
Tel: 420-251-551-470 Fax: 420-251-551-471

### UK FA Center

Mitsubishi Electric Europe B.V. UK Branch  
Travellers Lane, Hatfield, Hertfordshire, AL10 8XB,  
UK.  
Tel: 44-1707-27-6100 Fax: 44-1707-27-8695

### Russian FA Center

Mitsubishi Electric Europe B.V. Russian Branch  
St.Petersburg office  
Piskarevsky pr. 2, bld 2, lit "Sch", BC "Benua", office  
720; 195027, St. Petersburg, Russia  
Tel: 7-812-633-3497 Fax: 7-812-633-3499



HEAD OFFICE : TOKYO BUILDING, 2-7-3 MARUNOUCHI, CHIYODA-KU, TOKYO 100-8310, JAPAN  
NAGOYA WORKS : 1-14, YADA-MINAMI 5-CHOME, HIGASHI-KU, NAGOYA, JAPAN

When exported from Japan, this manual does not require application to the  
Ministry of Economy, Trade and Industry for service transaction permission.



HEADQUARTERS		EUROPEAN REPRESENTATIVES		EUROPEAN REPRESENTATIVES		EURASIAN REPRESENTATIVES	
Mitsubishi Electric Europe B.V. German Branch <b>Gothaer Straße 8</b> D-40880 Ratingen Phone: +49 (0)2102 / 486-0 Fax: +49 (0)2102 / 486-1120	<b>EUROPE</b>	GEVA Wiener Straße 89 <b>A-2500 Baden</b> Phone: +43 (0)2252 / 85 55 20 Fax: +43 (0)2252 / 488 60	<b>AUSTRIA</b>	Beijer Electronics SIA Ritausmas iela 23 <b>LV-1058 Riga</b> Phone: +371 (0)6 / 784 2280 Fax: +371 (0)6 / 784 2281	<b>LATVIA</b>	TOO Kazpromavtomatika UL. ZHAMBYLA 28, <b>KAZ-100017 Karaganda</b> Phone: +7 7212 / 50 10 00 Fax: +7 7212 / 50 11 50	<b>KAZAKHSTAN</b>
Mitsubishi Electric Europe B.V. Czech Branch Radlická 751/113e Avenir Business Park <b>CZ-158 00 Praha 5</b> Phone: +420 251 551 470 Fax: +420 251 551 471	<b>CZECH REP.</b>	000 TECHNIKON Prospect Nezavisimosti 177-9 <b>BY-220125 Minsk</b> Phone: +375 (0)17 / 393 1177 Fax: +375 (0)17 / 393 0081	<b>BELARUS</b>	Beijer Electronics UAB Goštautų g. 3 <b>LT-48324 Kaunas</b> Phone: +370 37 262707 Fax: +370 37 455605	<b>LITHUANIA</b>	<b>MIDDLE EAST REPRESENTATIVE</b>	
Mitsubishi Electric Europe B.V. French Branch 25, Boulevard des Bouvets <b>F-92741 Nanterre Cedex</b> Phone: +33 (0)1 / 55 68 55 68 Fax: +33 (0)1 / 55 68 57 57	<b>FRANCE</b>	ESCO DRIVES Culliganlaan 3 <b>BE-1831 Diegem</b> Phone: +32 (0)2 / 717 64 60 Fax: +32 (0)2 / 717 64 61	<b>BELGIUM</b>	ALFATRADE Ltd. 99, Paola Hill <b>Malta-Paola PLA 1702</b> Phone: +356 (0)21 / 697 816 Fax: +356 (0)21 / 697 817	<b>MALTA</b>	I.C. SYSTEMS Ltd. 23 Al-Saad-Al-Alee St. <b>EG-Sarayat, Maadi, Cairo</b> Phone: +20 (0) 2 / 235 98 548 Fax: +20 (0) 2 / 235 96 625	<b>EGYPT</b>
Mitsubishi Electric Europe B.V. Irish Branch Westgate Business Park, Ballymount <b>IRL-Dublin 24</b> Phone: +353 (0)1 4198800 Fax: +353 (0)1 4198890	<b>IRELAND</b>	KONING & HARTMAN B.V. Woluwelaan 31 <b>BE-1800 Vilvoorde</b> Phone: +32 (0)2 / 257 02 40 Fax: +32 (0)2 / 257 02 49	<b>BELGIUM</b>	INTEHSIS SRL bld. Traian 23/1 <b>MD-2060 Kishinev</b> Phone: +373 (0)22 / 66 4242 Fax: +373 (0)22 / 66 4280	<b>MOLDOVA</b>	SHERF Motion Techn. Ltd. Rehov Hamerkava 19 <b>IL-58851 Holon</b> Phone: +972 (0)3 / 559 54 62 Fax: +972 (0)3 / 556 01 82	<b>ISRAEL</b>
Mitsubishi Electric Europe B.V. Italian Branch Viale Colleoni 7 Palazzo Sirio <b>I-20864 Agrate Brianza (MB)</b> Phone: +39 039 / 60 53 1 Fax: +39 039 / 60 53 312	<b>ITALY</b>	INEA RBT d.o.o. Stegne 11 <b>SI-1000 Ljubljana</b> Phone: +386 (0)1 / 513 8116 Fax: +386 (0)1 / 513 8170	<b>BOSNIA AND HERZEGOVINA</b>	HIFLEX AUTOM. B.V. Wolweverstraat 22 <b>NL-2984 CD Ridderkerk</b> Phone: +31 (0)180 / 46 60 04 Fax: +31 (0)180 / 44 23 55	<b>NETHERLANDS</b>	CEG LIBAN Cebaco Center/Block A Autostrade DORA <b>Lebanon-Beirut</b> Phone: +961 (0)1 / 240 445 Fax: +961 (0)1 / 240 193	<b>LEBANON</b>
Mitsubishi Electric Europe B.V. Polish Branch ul. Krakowska 50 <b>PL-32-083 Balice</b> Phone: +48 (0) 12 630 47 00 Fax: +48 (0) 12 630 47 01	<b>POLAND</b>	AKHNATON 4, Andrei Ljapchev Blvd., PO Box 21 <b>BG-1756 Sofia</b> Phone: +359 (0)2 / 817 6000 Fax: +359 (0)2 / 97 44 06 1	<b>BULGARIA</b>	KONING & HARTMAN B.V. Haarlerbergweg 21-23 <b>NL-1101 CH Amsterdam</b> Phone: +31 (0)20 / 587 76 00 Fax: +31 (0)20 / 587 76 05	<b>NETHERLANDS</b>	<b>AFRICAN REPRESENTATIVE</b>	
Mitsubishi Electric Europe B.V. Russian Branch 52, bld. 3 Kosmodamianskaya nab 8 floor <b>RU-115054 Moscow</b> Phone: +7 495 / 721 2070 Fax: +7 495 / 721 2071	<b>RUSSIA</b>	INEA CR Losinjska 4 a <b>HR-10000 Zagreb</b> Phone: +385 (0)1 / 36 940 - 01 / -02 / -03 Fax: +385 (0)1 / 36 940 - 03	<b>CROATIA</b>	Beijer Electronics AS Postboks 487 <b>NO-3002 Drammen</b> Phone: +47 (0)32 / 24 30 00 Fax: +47 (0)32 / 84 85 77	<b>NORWAY</b>	ADROIT TECHNOLOGIES 20 Waterford Office Park 189 Witkoppen Road <b>ZA-Fourways</b> Phone: +27 (0)11 / 658 8100 Fax: +27 (0)11 / 658 8101	<b>SOUTH AFRICA</b>
Mitsubishi Electric Europe B.V. Spanish Branch Carretera de Rubí 76-80 Apdo. 420 <b>E-08190 Sant Cugat del Vallés (Barcelona)</b> Phone: +34 (0) 93 / 5653131 Fax: +34 (0) 93 / 5891579	<b>SPAIN</b>	AutoCont C. S. S.R.O. Kačkova 1853/3 <b>CZ-702 00 Ostrava 2</b> Phone: +420 595 691 150 Fax: +420 595 691 199	<b>CZECH REPUBLIC</b>	Fonseca S.A. R. João Francisco do Casal 87/89 <b>PT-3801-997 Aveiro, Esigueira</b> Phone: +351 (0)234 / 303 900 Fax: +351 (0)234 / 303 910	<b>PORTUGAL</b>		
Mitsubishi Electric Europe B.V. Swedish Branch Fjellievägen 8 <b>SE-22736 Lund</b> Phone: +46 (0) 8 625 10 00 Fax: +46 (0) 46 39 70 18	<b>SWEDEN</b>	Beijer Electronics A/S Lykkegardsvej 17 <b>DK-4000 Roskilde</b> Phone: +45 (0)46 / 75 76 66 Fax: +45 (0)46 / 75 56 26	<b>DENMARK</b>	SIRIUS TRADING & SERVICES SRL Aleea Lacul Morii Nr. 3 <b>RO-060841 Bucuresti, Sector 6</b> Phone: +40 (0)21 / 430 40 06 Fax: +40 (0)21 / 430 40 02	<b>ROMANIA</b>		
Mitsubishi Electric Europe B.V. (Scandinavia) Fjellievägen 8 <b>SE-22736 Lund</b> Phone: +46 (0) 8 625 10 00 Fax: +46 (0) 46 39 70 18	<b>SWEDEN</b>	HANS FÖLPGAARD A/S Theilgaardsgade 1 <b>DK-4600 Køge</b> Phone: +45 4320 8600 Fax: +45 4396 8855	<b>DENMARK</b>	INEA SR d.o.o. Ul. Karadjordjeva 12/217 <b>SER-11300 Smederevo</b> Phone: +381 (0)64 / 68 55 187	<b>SERBIA</b>		
Mitsubishi Electric Turkey Elektrik Ürünleri A.Ş. Fabrika Otomasyonu Merkezi Şerifali Mahallesi Nutuk Sokak No.5 <b>TR-34775 Ümraniye-İSTANBUL</b> Phone: +90 (0)216 / 526 39 90 Fax: +90 (0)216 / 526 39 95	<b>TURKEY</b>	Beijer Electronics Eesti OÜ Pärnu mnt.160i <b>EE-11317 Tallinn</b> Phone: +372 (0)6 / 51 81 40 Fax: +372 (0)6 / 51 81 49	<b>ESTONIA</b>	SIMAP SK (Západné Slovensko) Jána Derku 1671 <b>SK-911 01 Trenčín</b> Phone: +421 (0)32 743 04 72 Fax: +421 (0)32 743 75 20	<b>SLOVAKIA</b>		
Mitsubishi Electric Europe B.V. UK Branch Travellers Lane <b>UK-Hatfield, Herts. AL10 8XB</b> Phone: +44 (0)1707 / 28 87 80 Fax: +44 (0)1707 / 27 86 95	<b>UK</b>	Beijer Electronics OY Vanha Nurmijärventie 62 <b>FIN-01670 Vantaa</b> Phone: +358 (0)207 / 463 500 Fax: +358 (0)207 / 463 501	<b>FINLAND</b>	INEA RBT d.o.o. Stegne 11 <b>SI-1000 Ljubljana</b> Phone: +386 (0)1 / 513 8116 Fax: +386 (0)1 / 513 8170	<b>SLOVENIA</b>		
Mitsubishi Electric Europe B.V. Dubai Branch Dubai Silicon Oasis <b>United Arab Emirates - Dubai</b> Phone: +971 4 3724716 Fax: +971 4 3724721	<b>UAE</b>	PROVENDOR OY Teljänkatu 8 A3 <b>FIN-28130 Pori</b> Phone: +358 (0) 2 / 522 3300 Fax: +358 (0) 2 / 522 3322	<b>FINLAND</b>	Beijer Electronics Automation AB Box 426 <b>SE-20124 Malmö</b> Phone: +46 (0)40 / 35 86 00 Fax: +46 (0)40 / 93 23 01	<b>SWEDEN</b>		
Mitsubishi Electric Corporation Tokyo Building 2-7-3 Marunouchi, Chiyoda-ku <b>Tokyo 100-8310</b> Phone: +81 (3) 3218-2111 Fax: +81 (3) 3218-2185	<b>JAPAN</b>	UTECO A.B.E.E. 5, Mavrogenou Str. <b>GR-18542 Piraeus</b> Phone: +30 (0)211 / 1206-900 Fax: +30 (0)211 / 1206-999	<b>GREECE</b>	OMNI RAY AG Im Schörl 5 <b>CH-8600 Dübendorf</b> Phone: +41 (0)44 / 802 28 80 Fax: +41 (0)44 / 802 28 28	<b>SWITZERLAND</b>		
Mitsubishi Electric Automation, Inc. 500 Corporate Woods Parkway <b>Vernon Hills, IL 60061</b> Phone: +1 (847) 478-2100 Fax: +1 (847) 478-0328	<b>USA</b>	MELTRADE Kft. Fertő utca 14. <b>HU-1107 Budapest</b> Phone: +36 (0)1 / 431-9726 Fax: +36 (0)1 / 431-9727	<b>HUNGARY</b>	OOO "CSC-AUTOMATION" 4-B, M. Raskovoy St. <b>UA-02660 Kiev</b> Phone: +380 (0)44 / 494 33 44 Fax: +380 (0)44 / 494-33-66	<b>UKRAINE</b>		