

Before Using the Product

Please read this document before use. Keep the document in a safe place for future reference. Make sure that the end users read the document.

Related manuals

Before using the product, please read "Safety Guidelines" that is supplied with the base unit.

Confirm the following descriptions:

- SAFETY PRECAUTIONS
- CONDITIONS OF USE FOR THE PRODUCT
- EMC AND LOW VOLTAGE DIRECTIVES
- WARRANTY

Details of the product are also described in the manual shown below (sold separately). Please read the manual and understand the functions and performance of the product to use it correctly.

• Digital-Analog Converter Module User's Manual
SH-080054 (13JR02)

Safety precautions

The following describes precautions not shown in "Safety Guidelines" and is unique to this product. Read these precautions before using the product.

[Design Precautions]

⚠ WARNING

- Do not write data into the "system area" of the buffer memory of intelligent function modules. Also, do not use any "prohibited to use" signals as an output signal to an intelligent function module from the programmable controller CPU. Writing data into the "system area" or outputting a signal for "prohibited to use" may cause a malfunction of the programmable controller system.

⚠ CAUTION

- At power ON/OFF, voltage or current may instantaneously be output from the output terminal of this module. In such case, wait until the analog output becomes stable to start controlling the external device.

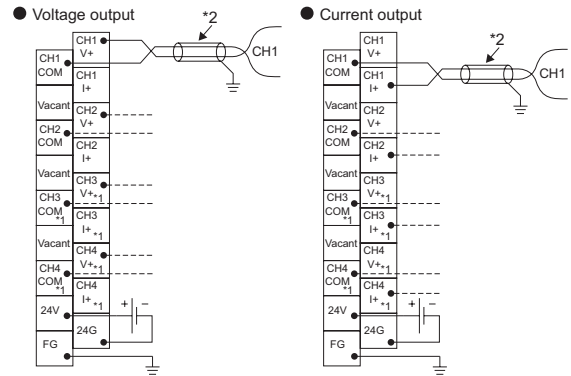
Packing list

Check that the following items are included in the package.

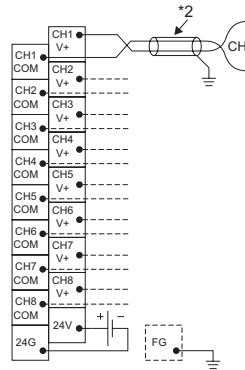
| Item | Quantity |
|---|----------|
| Module | 1 |
| "Before Using the Product" (this document) | 1 |
| FG terminal L-Shaped metal fitting (Q68DAVN and Q68DAIN only) | 1 |

Wiring diagrams

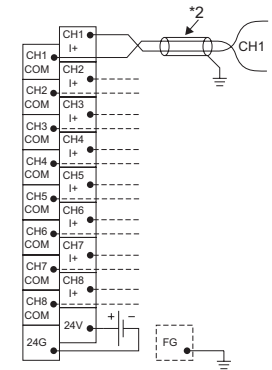
◆ Q62DAN and Q64DAN



◆ Q68DAVN



◆ Q68DAIN



- *1 For the Q62DAN, leave the terminals vacant.
- *2 Use a shielded twisted pair cable.

Wiring products

The table below shows applicable solderless terminals connected to the terminal block and the FG terminals of the Q68DAVN and Q68DAIN. When wiring, use applicable wires and an appropriate tightening torque. Use UL-approved solderless terminals and, for processing, use a tool recommended by the manufacturer. Also, sleeved solderless terminals cannot be used.

◆ Applicable solderless terminal connected to the terminal block

| Solderless terminal | | Wire | | | |
|---------------------|-------------------|-------------|----------|----------|--------------------|
| Model | Tightening torque | Diameter | Type | Material | Temperature rating |
| R1.25-3 | 0.42 to 0.58N·m | AWG22 to 18 | Stranded | Copper | 75°C or more |

◆ Applicable solderless terminal connected to the FG terminals of the Q68DAVN and Q68DAIN

| Solderless terminal | | Wire | | | |
|---------------------|-------------------|-------------|----------|----------|--------------------|
| Model | Tightening torque | Diameter | Type | Material | Temperature rating |
| R1.25-3 | 0.42 to 0.58N·m | AWG22 to 18 | Stranded | Copper | 75°C or more |
| 1.25-YS3 | | | | | |
| RAV1.25-3 | | | | | |
| V1.25-YS3A | | | | | |

Operating ambient temperature

Use the product within the range from 0°C to 55°C.

Internet information service (MELFANSweb)

From the FA-LAND on the MELFANSweb site, you can download trial-version software and software updates, retrieve and read online MELSEC-series manuals, and use a FAQ list. For these services, ID registration to FA-LAND (free) is required.

MELFANSweb site
<http://www.MitsubishiElectric.co.jp/melfansweb>

In regions other than Japan, please consult your local Mitsubishi representative.