

MITSUBISHI

CC-Link System Repeater (T-junction) Module

User's Manual

AJ65SBT-RPT

Thank you for buying the Mitsubishi general-purpose programmable logic controller MELSEC series.

Prior to use, please read this manual thoroughly and familiarize yourself with the product

MELSEC

Mitsubishi Programmable
Logic Controller

MODEL	AJ65SBT-RPT-U
MODEL CODE	13JQ81
IB(NA)-0800078-C(0002)MEE	

© 1999 MITSUBISHI ELECTRIC CORPORATION

● SAFETY PRECAUTIONS ●

(Read these precautions before using.)

When using this equipment, thoroughly read this manual. Also pay careful attention to safety and handle the module properly.

These precautions apply only to this equipment.

Refer to the CPU module User's Manual for a description of the PC system safety precautions.

These "Safety Precautions" classify the safety precautions into two categories: "DANGER" and "CAUTION".




DANGER

Procedures which may lead to a dangerous condition and cause death or serious injury, if not carried out properly.



CAUTION

Procedures which may lead to a dangerous condition and cause superficial to medium injury, or physical damage only, if not carried out properly.

Depending on circumstances, procedures indicated by  CAUTION may also be linked to serious results.

In any case, it is important to follow the directions for usage.

Store this manual in a safe place so that you can take it out and read it whenever necessary. Always forward it to the end user.

[DESIGN PRECATUIONS]

DANGER

- Input/output could be switched on or off when a problem occurs in the repeater module.
So build an external monitoring circuit that will monitor any input/output signals that could cause a serious accident.

CAUTION

- Use each module in an environment as specified in the "general specification" in the CPU module User's Manual.
Usage of the module outside the general specification range may cause electric shock, fire, malfunction, product damage or deterioration.
- Do not have control cables and communication cables bundled with or placed near by the main circuit and/or power cables. It may cause malfunction due to noise interference. Wire those cables at least 100mm(3.94 inch) away from the main circuit and/or power cables.

[INSTALLATION PRECAUTIONS]

CAUTION

- Do not directly touch the module's conductive parts.
Doing so could cause malfunction or trouble in the module.
- Tighten the module securely using DIN rail or installation screws within the specified torque range.
Loose terminal screws may cause falling, short circuit or erroneous operation.
If the terminal screws are too tight, it may cause falling or short circuit due to damage of the screws.

[WIRING PRECAUTIONS]

DANGER

- Perform installation and wiring after disconnecting the power supply at all phases externally. If the power is not disconnected at all phases an electric shock or product damage may result.

CAUTION

- Be sure to ground the FG terminal to the class-D (class 3) or higher sequencer dedicated grounding conductor.
Otherwise there will be an electric shock or misoperation.
- Terminal screws which are not to be used must be tightened always.
Otherwise there will be a danger of short circuit against the bare solderless terminals.
- Perform correct wiring for the module according to the product's rated voltage and terminal arrangement. Connecting to a power supply different from the rating or mis-wiring may cause fire and/or trouble.

[WIRING PRECAUTIONS]

CAUTION

- Fix terminal screws securely with the specified torque.
Loose terminal screws may cause short circuit or malfunction.
If the terminal screws are too tight, it may cause falling, short circuit or erroneous operation due to damage of the screws or module.
- Make sure foreign objects do not get inside the module, such as dirt and wire chips.
It may cause fire, trouble or malfunction.
- Be sure to fix the communication and power cables that are connected to the module in place, either by running them through a duct or by using clamps.
If the cables are not fixed in one of these ways, dispersion, movement, or careless pulling of the cables may cause damage to the module or cables, or malfunction due to cable contact faults.
- When disconnecting a communication or power supply cable from the module, do not pull on the cable itself.
Before disconnecting the cable from the terminal block, loosen off the screws of the terminal block.
If you pull the cable connected to the module, the module or cable can be damaged or misoperation can occur due to cable connection fault.

[STARTUP AND MAINTENANCE PRECAUTIONS]

DANGER

- Do not touch terminals when the power is on.
It may cause an electric shock or malfunction.
- Perform cleaning the module or re-tightening of terminal screws after making sure to turn off the external power supply. If you do not switch off the external power supply, it will cause trouble or malfunction of the module.

CAUTION

- Never try to disassemble or modify module.
It may cause trouble, malfunction, injury or fire.
- The module case is made of resin; do not drop it or subject it to strong shock. Module damage may result.
- Make sure to switch all phases of the external power supply off before installing or removing the module to/from the panel.
If you do not switch off the external power supply, it will cause trouble or malfunction of the module.

[DISPOSAL PRECAUTIONS]

CAUTION

- When disposing of this product, treat it as industrial waste.

REVISIONS

* The manual number is given on the bottom left of the back cover.

Print Date	* Manual Number	Revision
Oct.,1999	IB (NA)-0800078-A	First edition (Japanese only)
Nov.,1999	IB (NA)-0800078-B	English is added.
Feb.,2000	IB (NA)-0800078-C	<u>Correction</u> Section 3.2, Capter 5

This manual confers no industrial property rights or any rights of any other kind, nor dose it confer any patent licenses. Mitsubishi Electric Corporation cannot be held responsible for any problems involving industrial property rights which may occur as a result of using the contents noted in this manual.

© 1999 MITSUBISHI ELECTRIC CORPORATION

CONTENTS

1. OVERVIEW	1
1.1 Features	1
1.2 Packaged parts.....	2
1.3 Abbreviated names, generic names and terms.....	2
2. SYSTEM CONFIGURATION.....	3
2.1 Total configuration	3
2.2 Cautions on system configuration.....	4
3. SPECIFICATIONS.....	5
3.1 General specifications	5
3.2 Performance specifications.....	5
3.3 Specifications of connection cables	5
3.4 Max. transmission distance	6
4. PROCEDURE UP TO START OF DATA LINK.....	7
4.1 Procedure up to start of data link.....	7
4.2 Mounting and installation	7
4.2.1 Cautions on handling.....	7
4.2.2 Installation environment.....	10
4.3 Names and settings of parts	11
4.4 Check of module state (Hardware test).....	13
4.5 Setting of switches.....	14
4.6 Installation and removal of protective cover	15
4.7 Connection of module through CC-Link dedicated cable	16
4.8 Check for state of connection (Line test).....	17
5. TROUBLESHOOTING	18
6. EXTERNAL DIMENSIONS DIAGRAM.....	18

About the Manuals

The following manuals are related to this product.
Referring to this list, please request the necessary manuals.

Related manuals

Manual Name	Manual Number (Model Code)
AJ61BT11, A1SJ61BT11 CC-Link System Master Local Module User's Manual (Detail version)	IB(NA)66721 (13J872)
AJ61QBT11, A1SJ61QBT11 CC-Link System Master Local Module User's Manual (Detail version)	IB(NA)66722 (13J873)
QJ61BT11 CC-Link System Master Local Module User's Manual (Detail version)	SH(NA)080016 (13JL91)
CC-Link System Small Type Remote I/O Module User's Manual (Detail version)	SH(NA)4007 (13JL72)

1. OVERVIEW

This User's Manual describes the specifications, names of parts, and settings of the AJ65SBT-RPT type CC-Link system repeater (T-junction) module (hereafter abbreviated as AJ65SBT-RPT) used in the Control & Communication Link (hereafter abbreviated as CC-Link) system.

1.1 Features

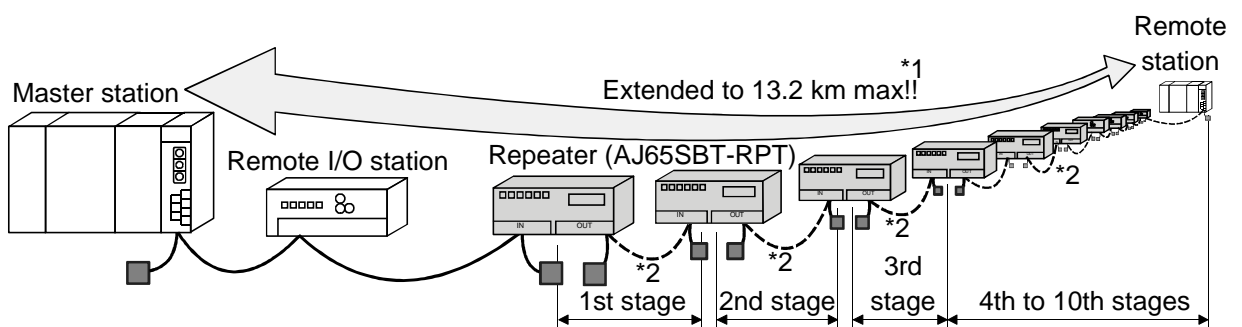
The AJ65SBT-RPT module is used to increase the flexibility of laying down the cables of the CC-Link system.

Use of this module enables the transmission distance of the CC-Link system to be extended and the wiring to be laid down in the form of T-junction.

(1) Extended transmission distance in CC-Link system

Use of this module enables the transmission distance of the CC-Link system to be extended.

In addition, use of multiple modules enables the transmission distance of the CC-Link system to be extended up to 10 stages.

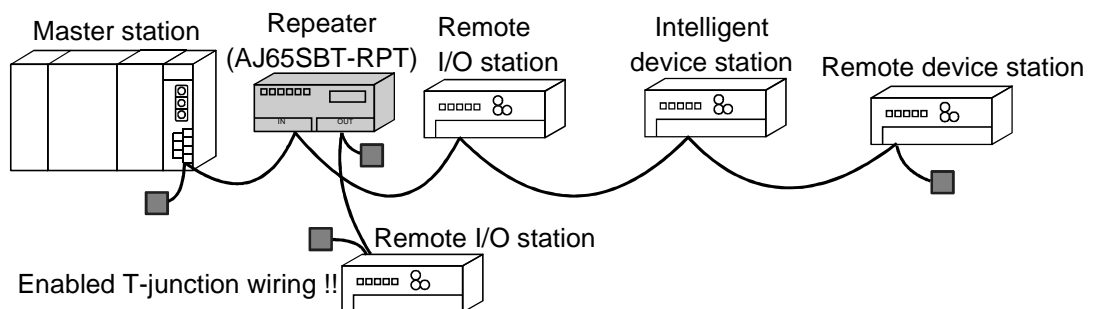


*1 Max. transmission distance at a transmission speed of 156 kbps.

*2 Though it is not shown here, the other remote stations can be connected between the repeaters.

(2) Enabled T-junction wiring in CC-Link system

Arrangement of this module between the modules of the CC-Link system enables the CC-Link system to be wired in the form of T-junction. This is applicable to all CC-Link systems operating at transmission speeds of 10 Mbps, 5 Mbps, 2.5 Mbps, 625 kbps and 156 kbps.

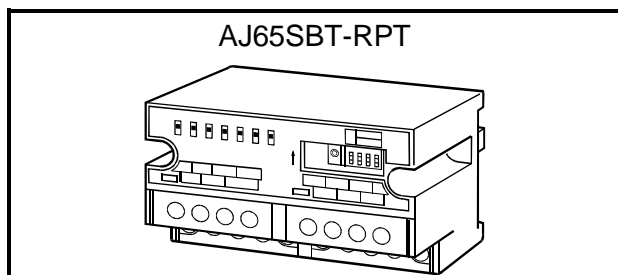


(3) Mountable to control panel with either screws or DIN rail

This module can be mounted onto the control panel with either screws or DIN rail.

(4) Compact module size

The module size has been reduced to the same one as that of AJ65SBTB1-8□ type small remote I/O module.



Item	Size mm (inch)
Height	50.0 (1.97)
Width	87.3 (3.44)
Depth	40.0 (1.58)

1.2 Packaged parts

After unpacking, make sure that those parts listed below are packaged.

Part name	Quantity
AJ65SBT-RPT module	1
Terminating resistances 110Ω 1/2W (Brown, Brown, Brown)	2
Terminating resistances 130Ω 1/2W (Brown, Orange, Brown)	2

1.3 Abbreviated names, generic names and terms

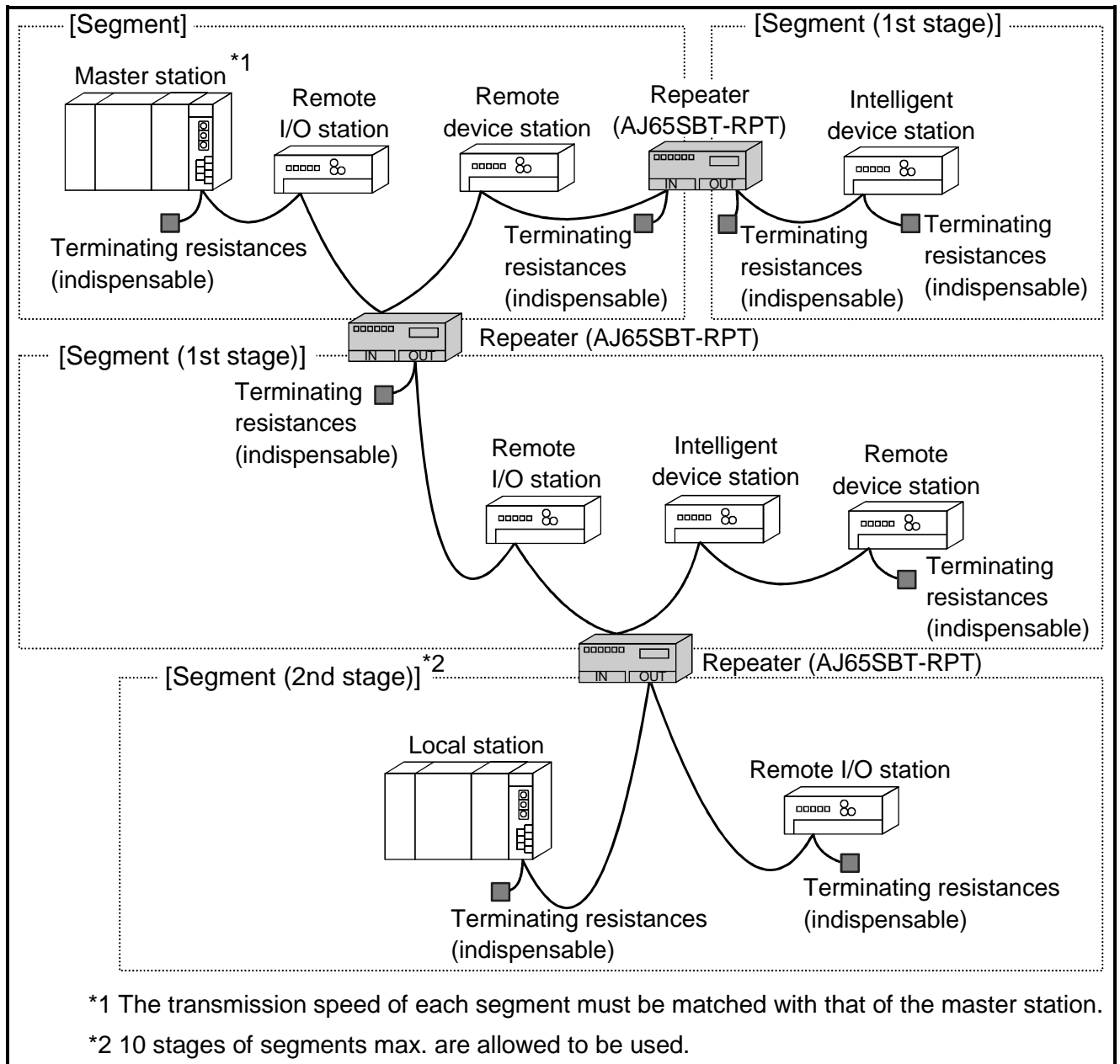
Abbreviated names, generic names and terms Description

Abbreviated names, generic names and terms	Description
AJ65SBT-RPT	Abbreviation of AJ65SBT-RPT type CC-Link system repeater (T-junction) module.
Segment	System between terminating resistances connected to each other through cross-over cables. The conventional CC-Link system can be said to be configured with one segment (See Section 2.1.).
Master station	Station to control the data link system. One station is required for each system.
Local station	Station which has a sequencer CPU and can communicate with the master station and the other local stations.
Remote I/O station	Remote station processing only information in unit of bit. (AJ65BTB1-16D, AJ65SBTB1-16D, AJ65SBTB1-8□, etc.)
Remote device station	Remote station processing only information in unit of bit and in unit of word. (AJ65BT-64AD, AJ65BT-64DAV, AJ65BT-64DAI, etc.)
Remote station	Generic name of remote I/O station and remote device station. Controlled by the master station.
Intelligent device station	Station allowing transient transmission such as AJ65BT-R2. (Including local stations)
Repeater	Module for expanding the CC-Link system by connecting the segments to each other.
Ready master station	Backup station which inherits data link control when the master station comes off parallel due to error.
Master local module	Generic name of QJ61BT11, AJ61BT11, A1SJ61BT11, AJ61QBT11 and A1SJ61QBT11.
Master module	Generic name of QJ61BT11, AJ61BT11, A1SJ61BT11, AJ61QBT11 and A1SJ61QBT11 when these are used as the master station.
Local module	Generic name of QJ61BT11, AJ61BT11, A1SJ61BT11, AJ61QBT11 and A1SJ61QBT11 when these are used as the local station.
Remote module	Generic name of AJ65BTB1-16D, AJ65SBTB1-16D, AJ65BT-64AD, AJ65BT-64DAV, AJ65BT-64DAI and A852GOT.
Intelligent device module	Module allowing transient transmission such as AJ65BT-R2.

2. SYSTEM CONFIGURATION

2.1 Total configuration

The total configuration employed when the AJ65SBT-RPT module is used is as shown below.



(1) What is a repeater?

This is the module for expanding the CC-Link system by connecting the segments to each other.

(2) What is a segment?

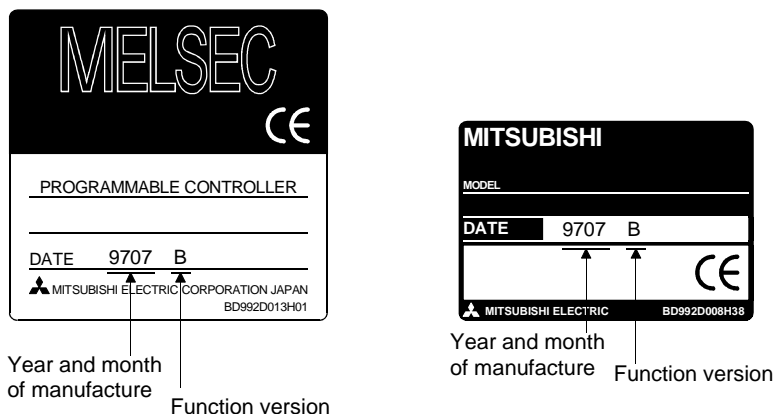
In the CC-Link system where repeaters are used, the equipment included between terminating resistances connected to each other through cross-over cables is generally called the segment.

2.2 Cautions on system configuration

(1) Conditions of usable master module

When the AJ61BT11, A1SJ61BT11, AJ61QBT11 and A1SJ61QBT11 modules are used, those of the functional version B or later must be employed. Use the master module bearing the version 9707 B or later in the DATE column of the name plate as shown in the figure below.

When the QJ61BT11 module is used, any module can be used irrespective of the version.



(2) Max. number of modules connected to configure CC-Link system

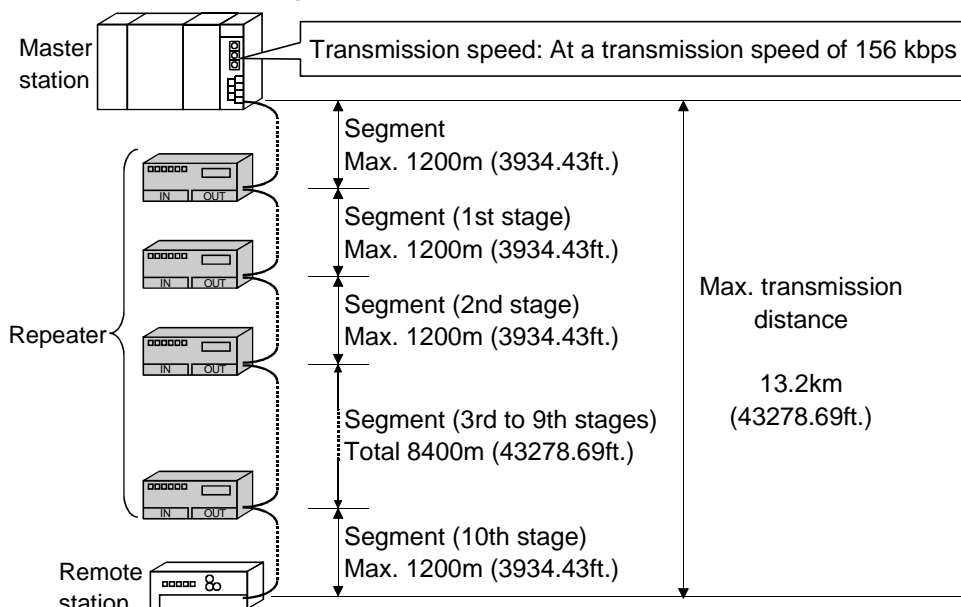
Remote I/O stations, remote device stations, local stations, ready master stations, intelligent device stations and repeaters of 64 modules max. can be connected in one segment.

In the CC-Link system where repeaters are used, also the number of remote stations capable of being controlled by one master station is the same as in the other systems.

For details, refer to the User's Manual of the applicable master module.

(3) Max. number of stages connected to configure segment

Use of this module enables communication between the master station located in a segment and a remote station located in a segment apart by 10 stages max. from the segment where the master station exists.



3. SPECIFICATIONS

3.1 General specifications

For the general specifications of the AJ65SBT-RPT module, refer to the User's Manual of the small remote I/O module.

3.2 Performance specifications

The performance specifications of the AJ65SBT-RPT module are shown below.

Item		Specifications
Transmission speed (bps)		Selectable from among 156k, 625k, 2.5M, 5M and 10M
Max. number of stages connected to configure segment (stage)		10
Max. transmission distance of each segment		Varies according to transmission speed (See Section 3.4.).
Max. number of modules connected		64 (See Section 2.2 regarding the conditions for the number of modules connected).
Number of stations occupied (station)		0 (none)
Settable station number		None
Repeater power supply	Voltage (V)	20.4 DC to 26.4 DC
	Current (mA)	60.0 (TYP. 24 V DC)
Noise durability		Simulator noise of 1500 Vp-p First transient/burst noise IEC801-4: 1kV, obtained by a noise simulator using noise width of 1 μ s and noise frequency of 25 to 60 Hz
Maximum voltage		500VAC for 1 minute between all DC external terminals and ground
Insulation resistance		10M Ω or higher, measured with a 500VDC insulation resistance tester
Weight (kg)		0.2

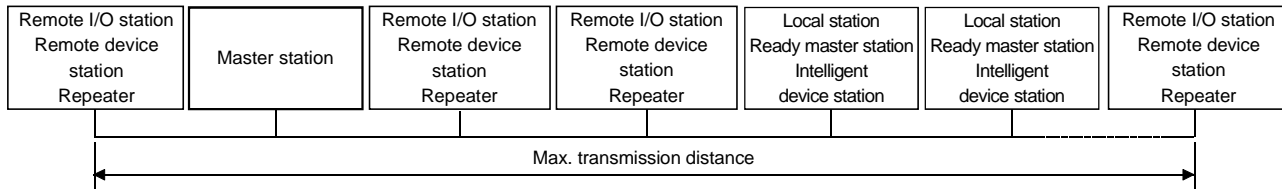
3.3 Specifications of connection cables

For the CC-Link system, use the CC-Link dedicated cables.

If the cables other than CC-Link dedicated ones are used, the performance of the CC-Link system will not be assured.

For the specifications of the CC-Link dedicated cables and contact address about the cables, refer to the User's Manual of the applicable master module.

3.4 Max. transmission distance

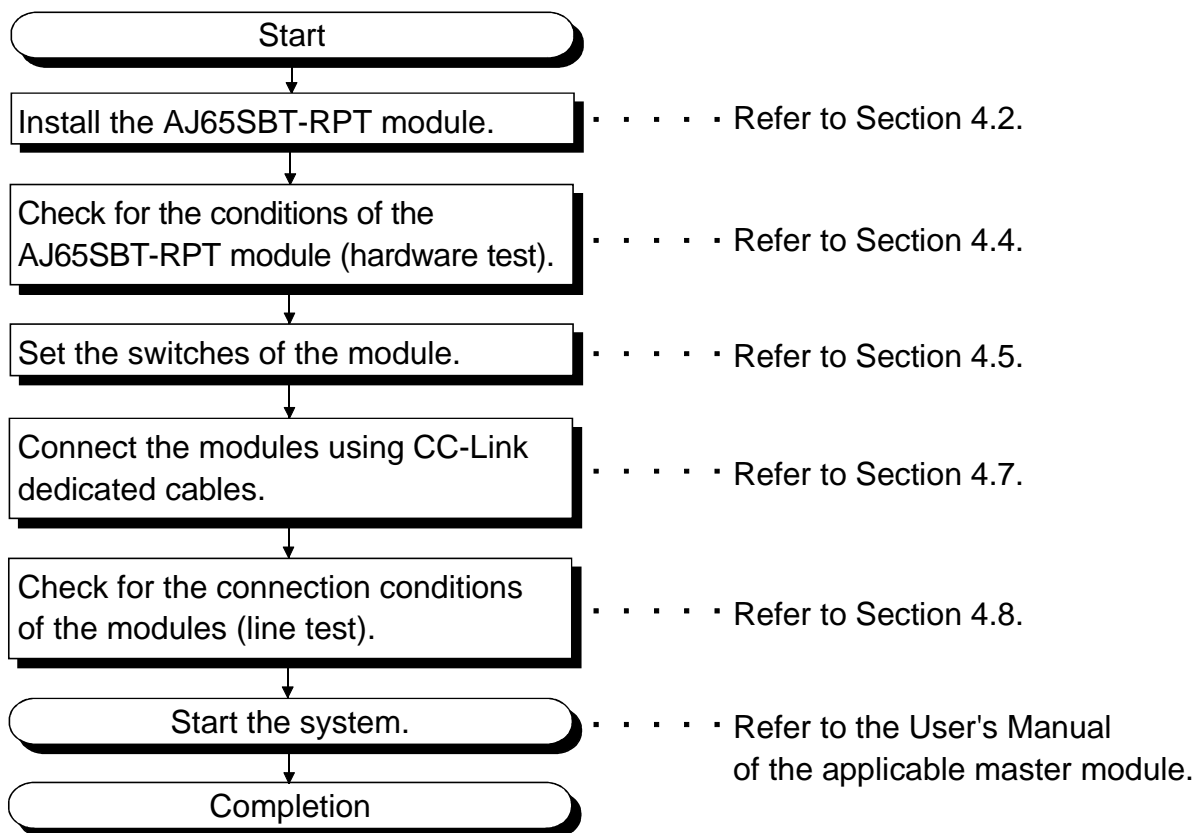


Conditions	Description
Transmission speed	<p>The maximum transmission distance in each segment is the same as that in normal CC-Link system (system configured with one segment only). The maximum transmission distance in each segment varies according to the transmission speed. For details, refer to the User's Manual of the applicable master module. (The length of the cables between repeater stations is treated in the same manner as in the remote I/O station.)</p>
Max. number of stages connected to configure segment	<p>When one connection stage is added, the maximum transmission distance is added by an amount equivalent to one segment.</p>

4. PROCEDURE UP TO START OF DATA LINK

4.1 Procedure up to start of data link

The procedure ranging from the installation of the AJ65SBT-RPT module to the start of data link is described below.



POINT

The procedure described here is for the AJ65SBT-RPT module only. In order for you to understand the procedure of the entire CC-Link system, refer to the User's Manual of the applicable master module.

4.2 Mounting and installation

4.2.1 Cautions on handling

Cautions on handling the AJ65SBT-RPT module are described below.

DANGER

- Do not directly touch the module's conductive parts. Doing so could cause malfunction or trouble in the module.
- Perform installation and wiring after disconnecting the power supply at all phases externally. If the power is not disconnected at all phases an electric shock or product damage may result.
- Do not touch terminals when the power is on. It may cause an electric shock or malfunction.
- Perform cleaning the module or re-tightening of terminal screws after making sure to turn off the external power supply. If you do not switch off the external power supply, it will cause trouble or malfunction of the module.

 CAUTION

- Use each module in an environment as specified in the "general specification" in the CPU module User's Manual. Usage of the module outside the general specification range may cause electric shock, fire, malfunction, product damage or deterioration.
- Do not have control cables and communication cables bundled with or placed near by the main circuit and/or power cables. It may cause malfunction due to noise interference. Wire those cables at least 100mm(3.94 inch) away from the main circuit and/or power cables.
- Do not directly touch the module's conductive parts.
Doing so could cause malfunction or trouble in the module.
- Tighten the module securely using DIN rail or installation screws within the specified torque range.
Loose terminal screws may cause falling, short circuit or erroneous operation.
If the terminal screws are too tight, it may cause falling or short circuit due to damage of the screws.
- Fix terminal screws securely with the specified torque.
Loose terminal screws may cause short circuit or erroneous operation.
If the terminal screws are too tight, it may cause falling, short circuit or erroneous operation due to damage of the screws or module.
- Be sure to ground the FG terminal to the class-D (class 3) or higher sequencer dedicated grounding conductor.
Otherwise there will be an electric shock or misoperation.
- Terminal screws which are not to be used must be tightened always.
Otherwise there will be a danger of short circuit against the bare solderless terminals.
- Perform correct wiring for the module according to the product's rated voltage and terminal arrangement. Connecting to a power supply different from the rating or mis-wiring may cause fire and/or trouble.
- Make sure foreign objects do not get inside the module, such as dirt and wire chips.
It may cause fire, trouble or malfunction.
- Be sure to fix the communication and power cables that are connected to the module in place, either by running them through a duct or by using clamps.
If the cables are not fixed in one of these ways, dispersion, movement, or careless pulling of the cables may cause damage to the module or cables, or malfunction due to cable contact faults.
- When disconnecting a communication or power supply cable from the module, do not pull on the cable itself.
Before disconnecting the cable from the terminal block, loosen off the screws of the terminal block.
If you pull the cable connected to the module, the module or cable can be damaged or misoperation can occur due to cable connection fault.

! CAUTION

- Never try to disassemble or modify the module. It may cause trouble, malfunction, injury or fire.
- The module case is made of resin; do not drop it or subject it to strong shock. A module damage may result.
- Make sure to switch all phases of the external power supply off before installing or removing the module to/from the panel. If you do not switch off the external power supply, it will cause trouble or malfunction of the module.
- When disposing of this product, treat it as industrial waste.

(1) Tighten the module fixing screws and terminal block screws to those torques specified below.

Do not over-tighten these screws. The screws and module case may be damaged.

Screw location	Specified torque range (N/cm)
Module mounting screw (M4 thread with finished circular flat washer)	78 to 108
Terminal block screw (M3 thread)	59 to 88
Terminal block mounting screw (M3.5 thread)	68 to 98

(2) When a DIN rail is used, install it taking care with the following.

(a) Applicable DIN rail type (conforming to JIS-C2B12)

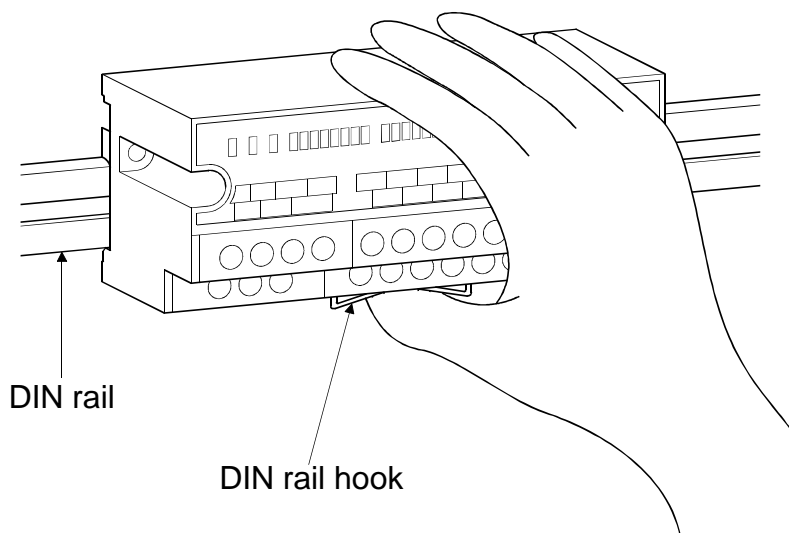
TH35-7.5Fe

TH35-7.5A1

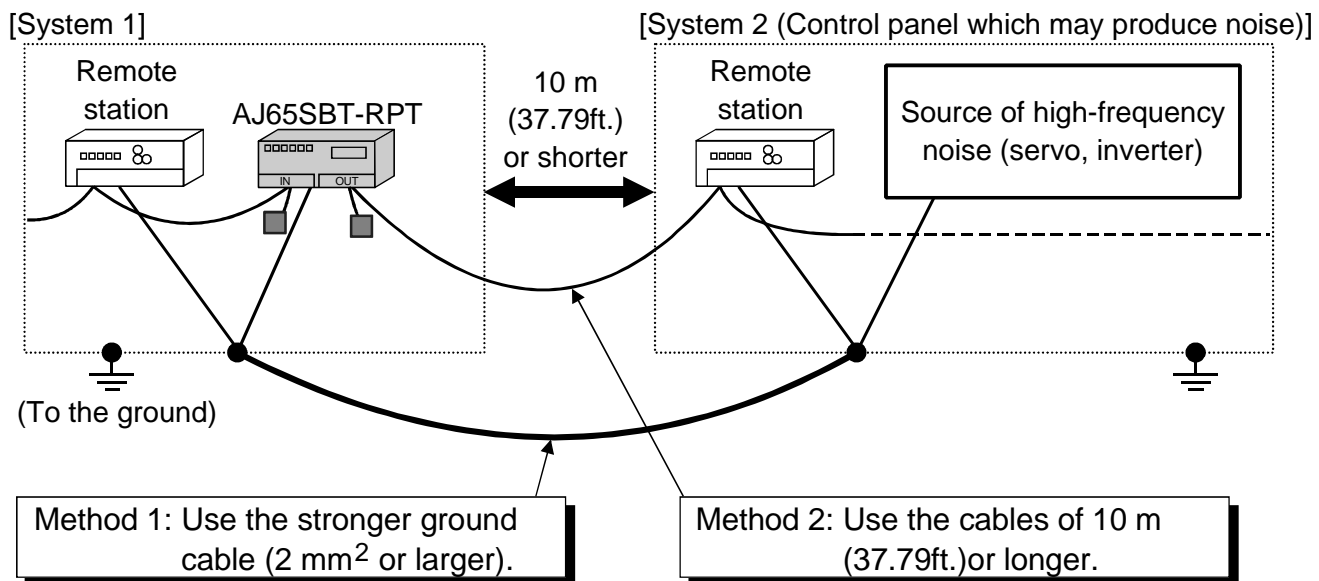
(b) Intervals of DIN rail mounting screws

Mount the DIN rail by fixing it with mounting screws at intervals of 200 mm (7.87inch) or shorter.

(3) To install the AJ65SBT-RPT module on the DIN rail, press, by the finger, the DIN rail hook located on the underside of the module at the centerline until you hear it click.



- (4) When installing the AJ65SBT-RPT module on the control panel, to improve the ventilation and facilitate the replacement of the module, provide a distance of 60 mm (2.36inch) or longer between the upper and lower surfaces of the module and the structural members or parts.
- (5) Install the AJ65SBT-RPT module on a flat smooth surface.
If there are irregularities on the installation surface, undue force may be applied to the printed circuit boards, and the boards may be damaged.
- (6) Depending on the grounding condition of the system, a high-frequency noise may occur between the systems. When these systems are connected through CC-Link communication cables, a communication error may occur by the mixing of noise into the repeaters.
If the high-frequency noise occurs between the systems connected through the cables of 10 m (32.79ft.) or shorter, take either of the measures specified below.
- Connect the systems through cables of 2 mm² or larger (across FG terminals of the remote station in each system, or across grounds of the control panel to which the remote station is grounded).
 - Use CC-Link cables of 10 m (32.79ft.) or longer between the systems.

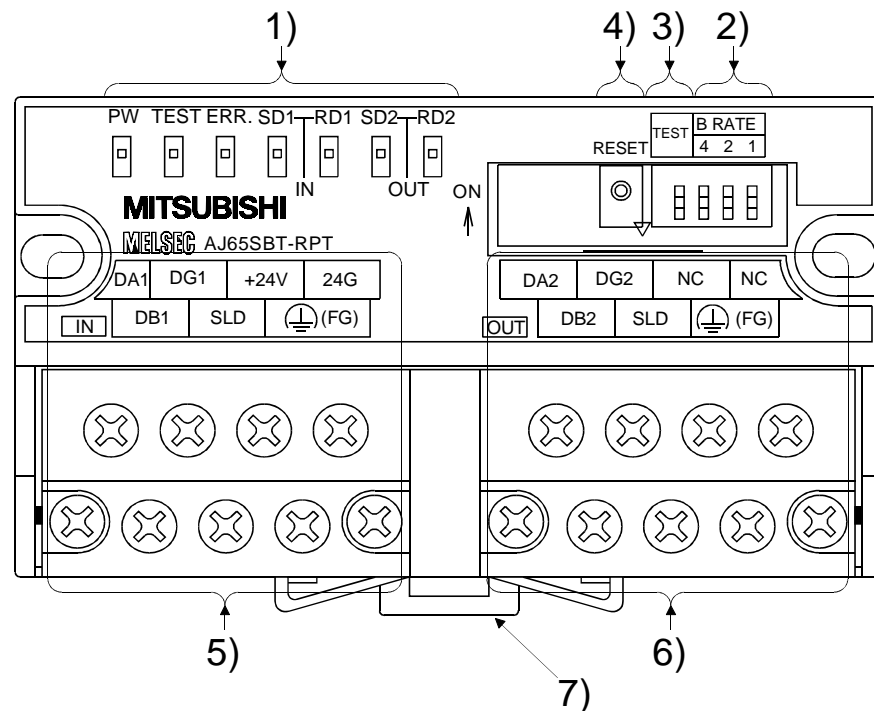


4.2.2 Installation environment

For the installation environment, refer to the User's Manual of the applicable small type remote I/O module.

4.3 Names and settings of parts

The names of parts of the AJ65SBT-RPT module, indication statuses of LEDs, and settings of switches are described below.



No.	Name	Application		
1)	Power LED	Check for the module condition by observing the state of lighting of the LED.		
		LED Name	Application	
			For hardware test	For normal operation
		PW	Goes on: Power supply is turned ON. Goes off: Power supply is turned OFF or reset switch is pressed.	
		TEST	Goes on: Hardware test is under operation. Goes off: Communication is under operation.	
		ERR.	Goes on: Hardware is faulty. Switch set value is faulty. Flashes: Switch set value was changed during operation. Goes off: Normal	Goes on: Communication is faulty. Switch set value is faulty. Flashes: Switch set value was changed during operation. Goes off: Communication is normal.
		SD1	Flashes: Circuit is normal. Goes off: Circuit is faulty.	Goes on: Data is being transmitted to IN side. Goes off: Data is not transmitted to IN side.
		RD1	Flashes: Circuit on IN side is normal. Goes off: Circuit on IN side is faulty.	Goes on: Data is being received from IN side. Goes off: Data is not received from IN side.
		SD2	Flashes: Circuit is normal. Goes off: Circuit is faulty.	Goes on: Data is being transmitted to OUT side. Goes off: Data is not transmitted to OUT side.
RD2	Flashes: Circuit on OUT side is normal. Goes off: Circuit on OUT side is faulty.	Goes on: Data is being received from OUT side. Goes off: Data is not received from OUT side.		

No.	Name	Application				
2)	Transmission speed setting switch	Set the transmission speed of the module (set to 0 at the time of delivery). Ensure to set the transmission speed at a speed specified below. Unless the speed is set at a speed specified below, the LED "ERR." will light up.				
		Setting value	Setting switch status			Transmission speed (bps)
			4	2	1	
		0	OFF	OFF	OFF	156k
		1	OFF	OFF	ON	625k
		2	OFF	ON	OFF	2.5M
		3	OFF	ON	ON	5M
4	ON	OFF	OFF	10M		
3)	Test switch	Set the operating condition of the module (set to OFF at the time of delivery).				
		State of switch		Operating state		
		ON		Hardware test		
OFF		Normal operation				
4)	Reset switch	Reset the module on the hardware side (set to OFF at the time of delivery).				
		State of switch		Operating state		
		ON		Hardware reset		
OFF		Normal operation				
5)	IN side terminal block	Terminal block for connecting the CC-Link dedicated cable on the side where the power supply and master station are located.				
6)	OUT side terminal block	Terminal block for connecting the CC-Link dedicated cable on the side where the master station is not located.				
7)	Hook for DIN rail	Hook for installing the module on the DIN rail. To install the module, press the DIN rail hook at the centerline until you hear it click.				

POINT

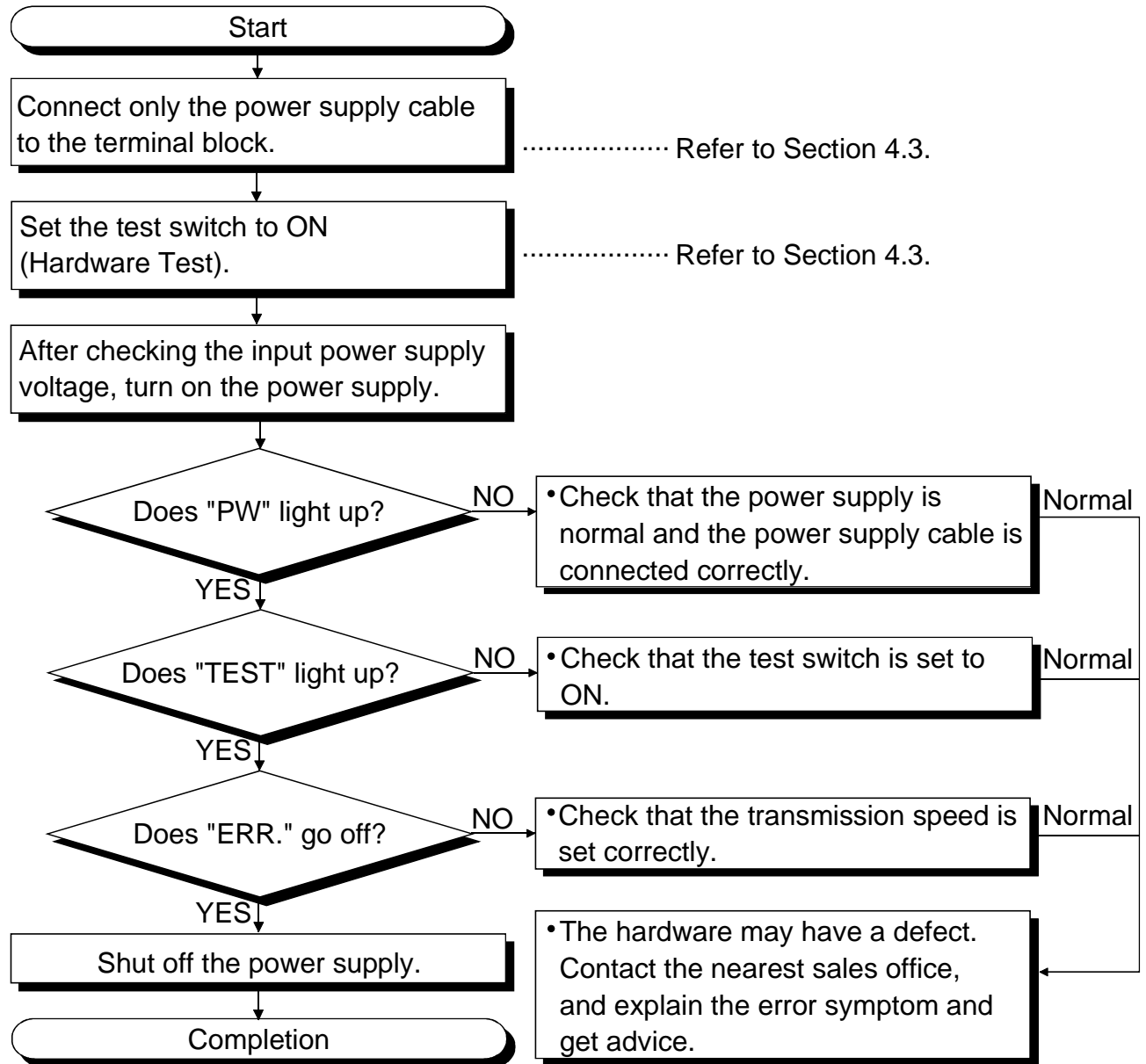
The states of setting of the test switch and transmission speed set switch obtained when the module power supply is set from OFF to ON or the reset switch is set to OFF become effective.

When the states of setting are changed with the module power supply turned ON, perform the above operations again.

4.4 Check of module state (Hardware test)

Check that the module operates normally using the module proper. Ensure to perform this check before configuring the system.

Perform the test in accordance with the steps shown below.



4.5 Setting of switches

The setting of the switches on the AJ65SBT-RPT module is described below.

(1) Test switch

This switch is used to set the operating condition of the AJ65SBT-RPT module.

In normal operation, set it to OFF.

For detail of the setting, see Section 4.3.

POINT
The states of setting of the test switch obtained when the module power supply is set from OFF to ON or the reset switch is set to OFF become effective. When the states of setting are changed with the module power supply turned ON, perform the above operations again.

(2) Transmission speed setting switch

This switch is used to set the transmission speed of the AJ65SBT-RPT module.

For detail of the setting, see Section 4.3.

POINT
<ul style="list-style-type: none">• Set to the same state of setting as set in the master station.• The states of setting of the transmission speed setting switch obtained when the module power supply is set from OFF to ON or the reset switch is set to OFF become effective. When the states of setting are changed with the module power supply turned ON, perform the above operations again.

4.6 Installation and removal of protective cover

A protective cover can be installed on the front surface of the AJ65SBT-RPT module to prevent foreign matter from entering the terminal blocks.

The protective cover applicable to the AJ65SBT-RPT module is specified below.

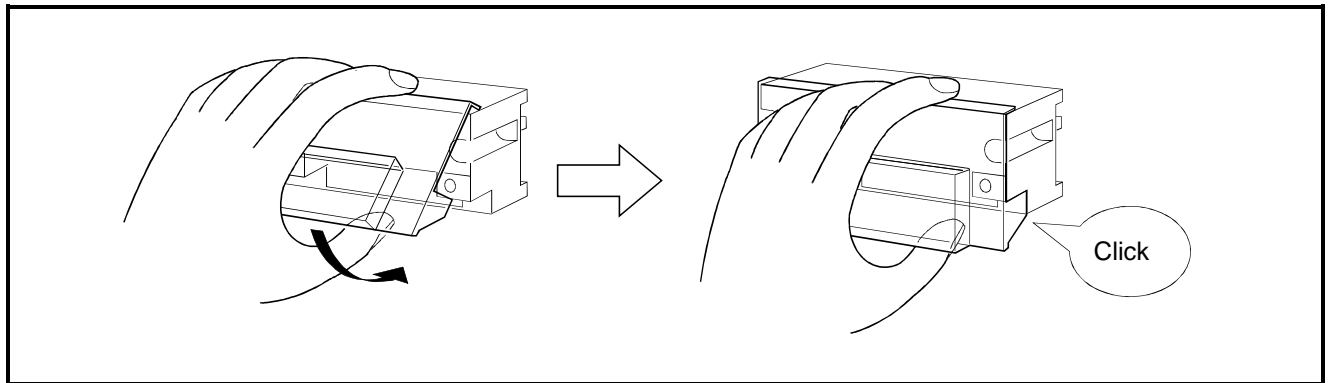
Procure it as necessary.

Item	Type	Description
Protective cover	A6CVR-8	Cover for prevention of entry of foreign matter into terminal blocks (sold in batches of 10).

To dismount and mount the protective cover on and from the AJ65SBT-RPT module, follow the steps below.

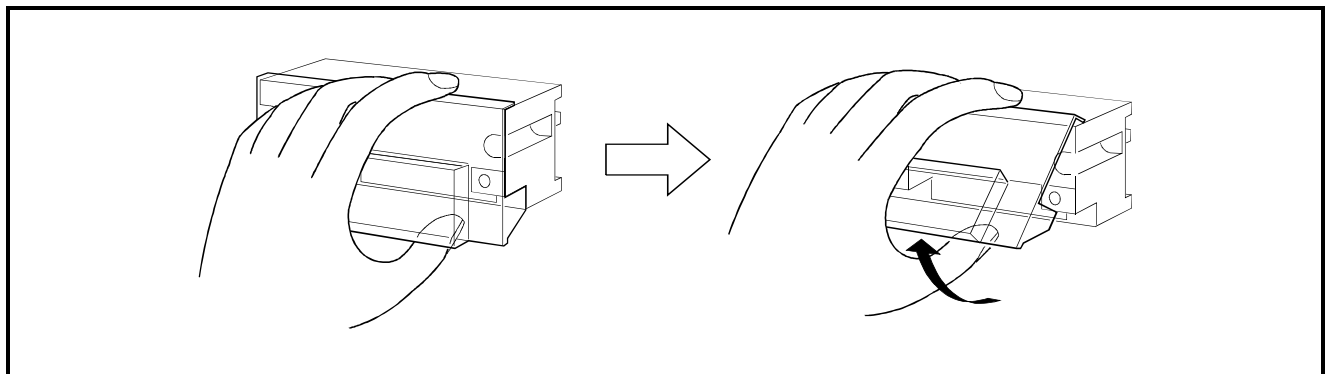
(1) Mounting

With the upper section of the protective cover hooked to the upper end section of the module, press the lower section of the cover until you hear it click.



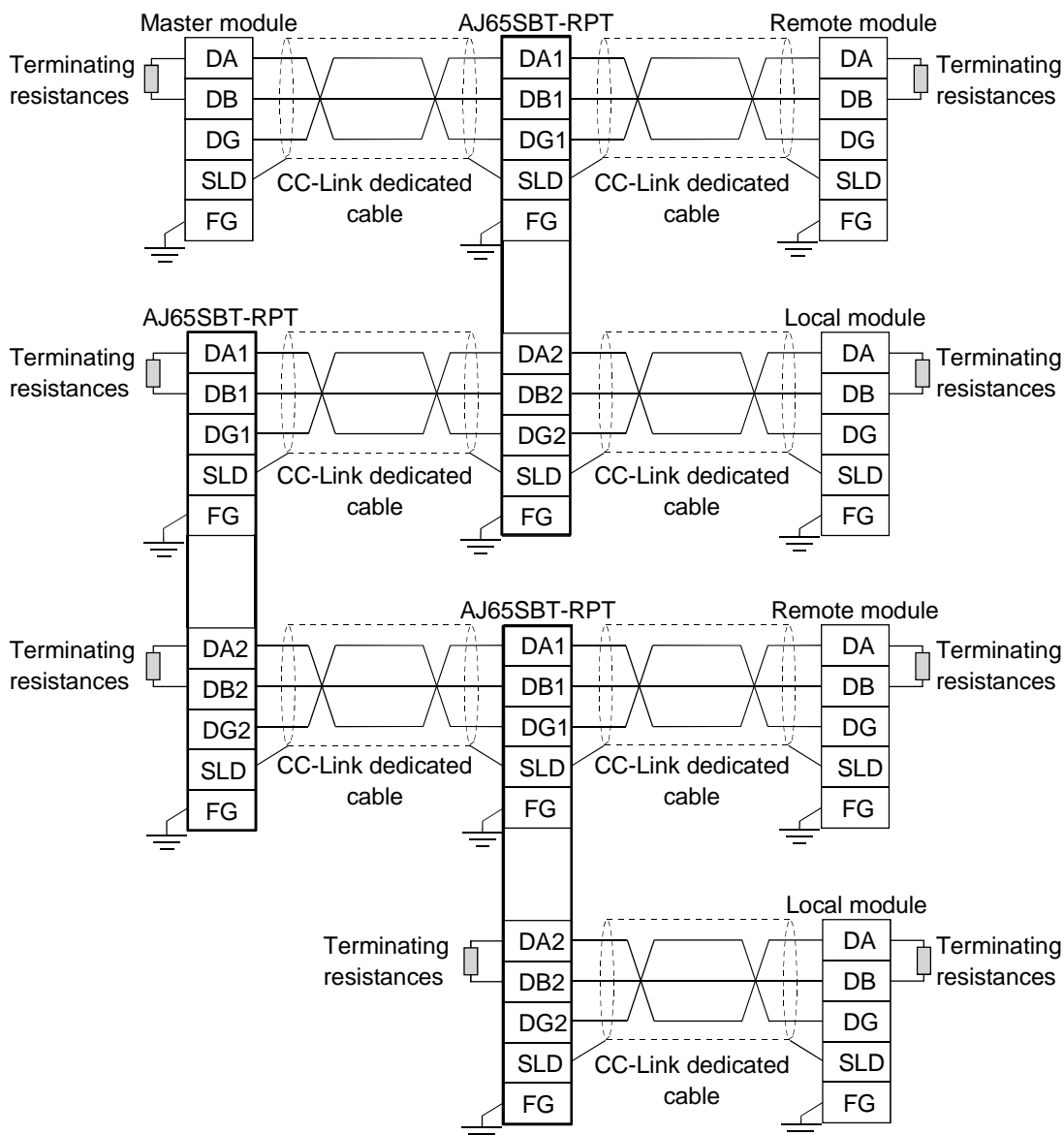
(2) Dismounting

With the finger applied to the lower section of the protective cover, raise the cover upward.



4.7 Connection of module through CC-Link dedicated cable

The method of connecting the AJ65SBT-RPT module to the CC-Link system through the CC-Link dedicated cable is shown below.



Important

In each segment, ensure to use the same type of CC-Link dedicated cables.
If different types of cables are used, normal data transmission will not be assured.

POINT

- Ensure to connect the terminating resistances to both end modules of each segment.
In addition, connect them between DA and DB (DA1-DB1 and DA2-DB2 for AJ65SBT-RPT).
(The terminating resistances are furnished with the module.)
- The terminating resistances vary according to the type of cables in use.
For detail, refer to the User's Manual of the applicable master module.
- Connect the shield cable of the CC-Link dedicated cable to "SLD" of each module, and ground both ends of the cable through "FG" to a class-D (class 3) ground.
SLD and FG are wired to each other inside the module.

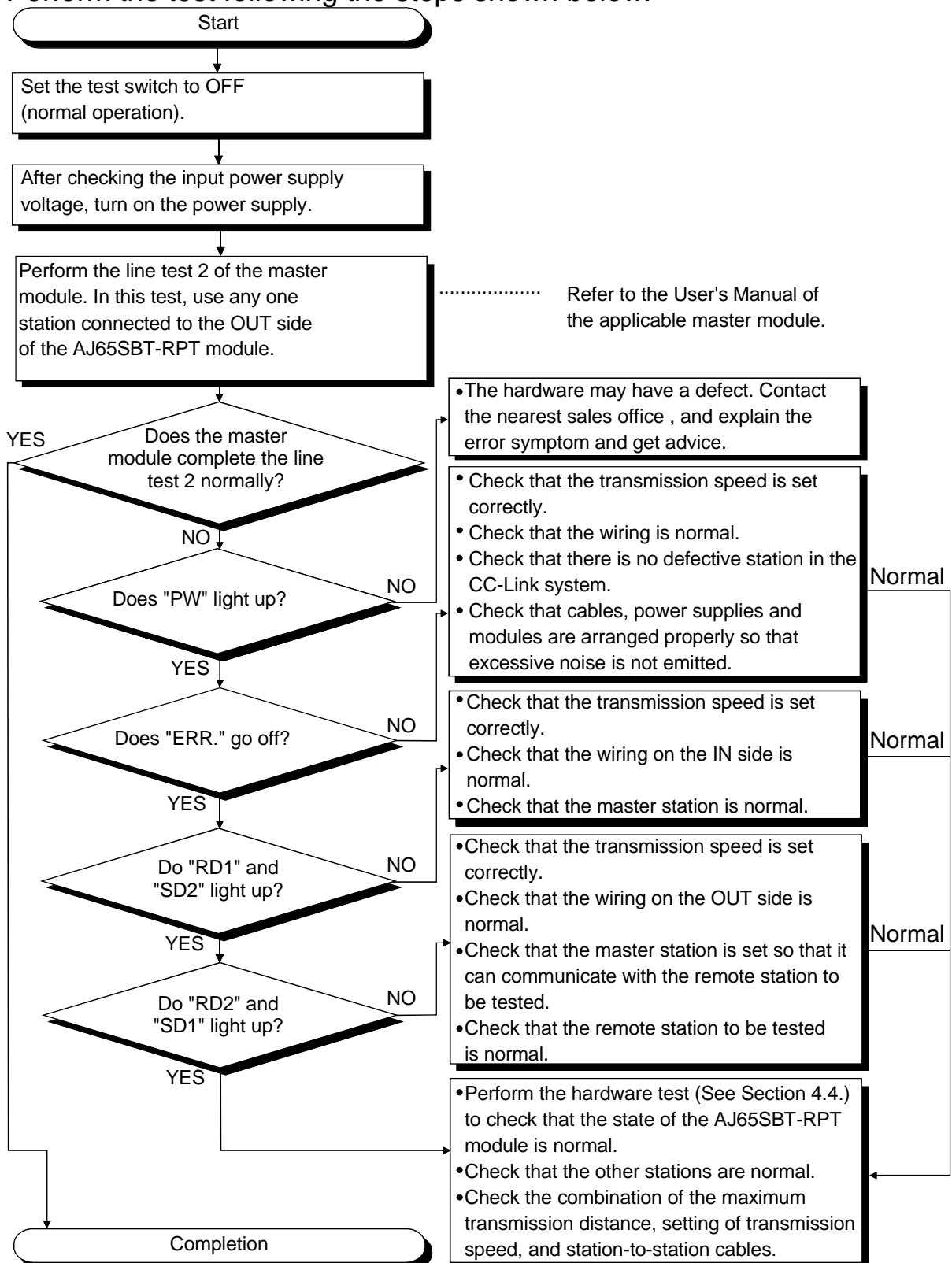
4.8 Check for state of connection (line test)

Connect all modules including the AJ65SBT-RPT module through the CC-Link dedicated cable. Then, check that the CC-Link system is in the state capable of performing a data link normally.

To perform the line test of the AJ65SBT-RPT module, use the line test 2 of the master module.

For the line test 2 of the master module, refer to the User's Manual of the applicable master module.

Perform the test following the steps shown below.



5. TROUBLESHOOTING

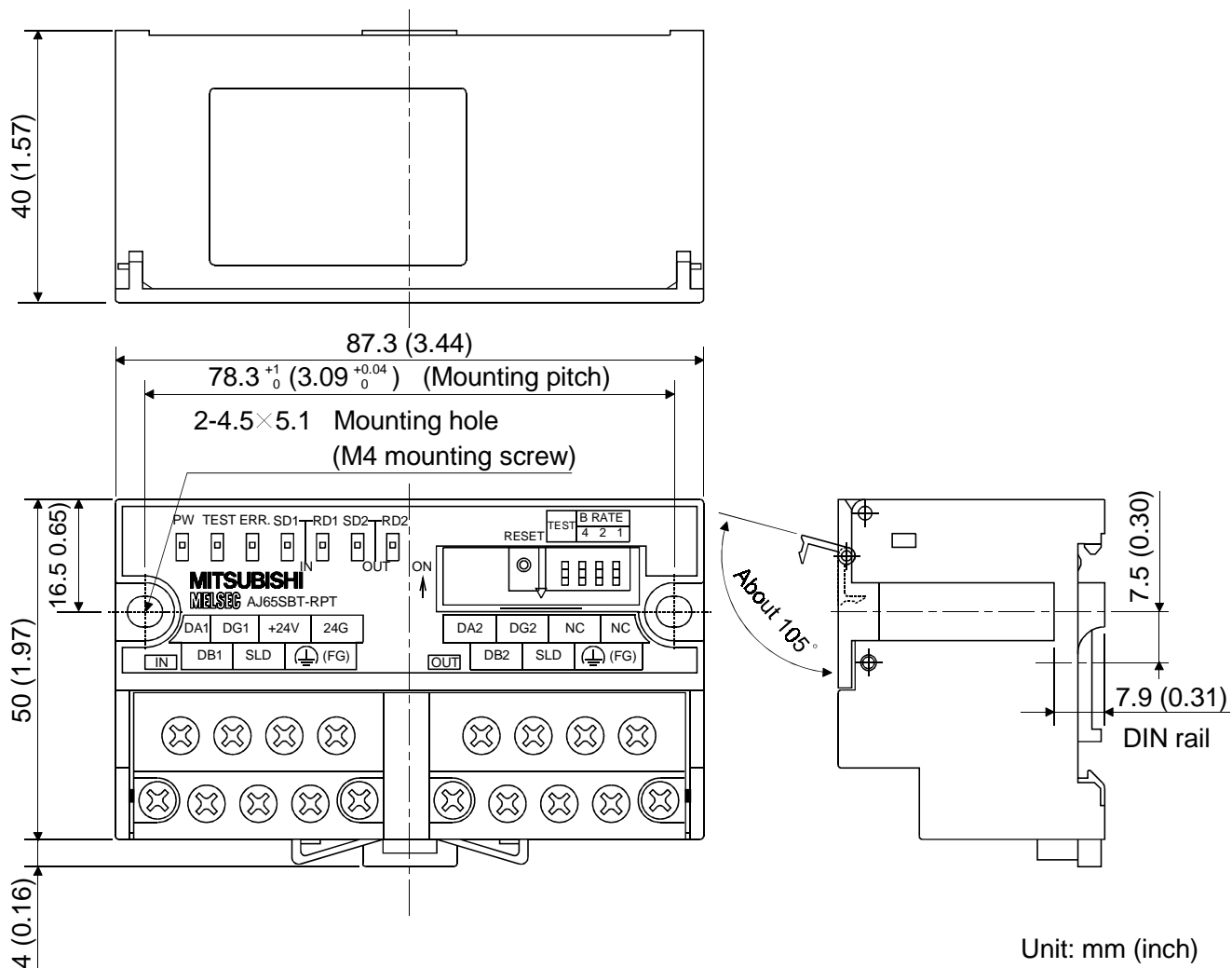
Errors occurring during the data link can be checked using the ERR.LED on the master station.

If the ERR.LED on the master station goes light or light-off due to an error of the data link, refer to the User's Manual of the applicable master module to check the state of the data link of the other stations of the CC-Link system.

If there are many stations where an error of data link occurs on the OUT side of the AJ65SBT-RPT module, the AJ65SBT-RPT module may cause an error. Perform the line test (See Section 4.8.) again.

6. EXTERNAL DIMENSIONS DIAGRAM

The external dimensions diagram of the AJ65SBT-RPT module is shown below.



Warranty

Mitsubishi will not be held liable for damage caused by factors found not to be the cause of Mitsubishi; machine damage or lost profits caused by faults in the Mitsubishi products; damage, secondary damage, accident compensation caused by special factors unpredictable by Mitsubishi; damages to products other than Mitsubishi products; and to other duties.

⚠ For safe use

- This product has been manufactured as a general-purpose part for general industries, and has not been designed or manufactured to be incorporated in a device or system used in purposes related to human life.
- Before using the product for special purposes such as nuclear power, electric power, aerospace, medicine or passenger movement vehicles, consult with Mitsubishi.
- This product has been manufactured under strict quality control. However, when installing the product where major accidents or losses could occur if the product fails, install appropriate backup or failsafe functions in the system.

Country/Region	Sales office/Tel	Country/Region	Sales office/Tel
U.S.A	Mitsubishi Electric Automation Inc. 500 Corporate Woods Parkway Vernon Hills, IL 60061 Tel : 1-847-478-2100	Indonesia	P.T. Autoteknindo SUMBER MAKMUR Kompleks Agung Sedayu Propertindo (Harco Mangga Dua) Blok H No.4 JI Mangga Dua Raya Jakarta Pusat 10730-Indonesia. Tel : 62-21-336292
Brazil	MELCO-TEC Rep. Com.e Assessoria Tecnica Ltda. Av. Rio Branco, 123-15 ,and S/1507, Rio de Janeiro, RJ CEP 20040-005, Brazil Tel : 55-21-221-8343	Thailand	F. A. Tech Co.,Ltd. 1138/33-34 Rama 3 Road, Yannawa, Bangkok 10120, Thailand Tel : 66-2-295-2861
U.K	Mitsubishi Electric Europe B.V. UK Branch Travellers Lane, Hatfield, Herts., AL10 8XB,UK Tel : 44-1707-276100	Hong Kong	Ryoden International Ltd. 10th Floor, Manulife Tower, 169 Electric Road, North Point, HongKong Tel : 852-2887-8870
Germany	Mitsubishi Electric Europe B.V. German Branch Gothaer Strasse 8 D-40880 Ratingen, GERMANY Tel : 49-2102-486-0	China	Ryoden International Shanghai Ltd. 3F Block5 Building Automation Instrumentation Plaza 103 Cao Bao Rd. Shanghai 200233 China Tel : 86-21-6475-3228
South Africa	MSA Manufacturing (Pty) Ltd. P O Box 39733 Bramley 201 8 Johannesburg, South Africa Tel : 27-11-444-8080	Taiwan	Setsuyo Enterprise Co., Ltd. 6F., No.105 Wu-Kung 3rd.RD, Wu-Ku Hsiang, Taipei Hsine, Taiwan R.O.C. Tel : 886-2-2299-2499
India	Messung Systems Put,Ltd. Electronic Sadan NO:111 Unit No15, M.I.D.C BHOSARI,PUNE-411026 Tel : 91-212-793130	Australia	Mitsubishi Electric Australia Pty. Ltd. 348 Victoria Road, PostalBag, No 2, Rydalmere, N.S.W 2116, Australia Tel : 61-2-9684-7777
Singapore	Mitsubishi Electric Asia Pte, Ltd. 307 ALEXANDRA ROAD # 05-01/02, MITSUBISHI ELECTRIC BUILDING SINGAPORE 159943 Tel : 65-470-2480		

MITSUBISHI ELECTRIC CORPORATION

HEAD OFFICE:MITSUBISHI DENKI BLDG MARUNOUCHI TOKYO 100-8310 TELEX:J24532 CABLE MELCO TOKYO
NAGOYA WORKS:1-14, YADA-MINAMI 5, HIGASHI-KU, NAGOYA, JAPAN

When exported from Japan, this manual does not require application to the Ministry of International Trade and Industry for service transaction permission.

Specifications subject to change without notice.
Printed in Japan on recycled paper.