

MITSUBISHI

PROGRAMMABLE CONTROLLER

MELSEC-A

User's Manual

MELSECNET/B data link module type A1SJ71AT21B (Hardware)

INTRODUCTION

Thank you for choosing the Mitsubishi MELSEC-A Series of General Purpose Programmable Controllers. Please read this manual carefully so that the equipment is used to its optimum. A copy of this manual should be forwarded to the end User.



1. GENERAL DESCRIPTION

1. GENERAL DESCRIPTION

- (1) This manual describes the specifications, part names, and self-diagnostic tests of the A1SJ71AT21B.

An A1SJ71AT21B is used with an AnSCPU for the MELSECNET/B data link system.

- (2) The followings give the application, applicable cable, and installation location of the A1SJ71AT21B.

- Application : As a master or local station
- Applicable cable : Twisted paired cable
- Module installation location : I/O slot of a main or extension base unit

- (3) The following manual gives details about the MELSECNET/B data link system:

MELSECNET, MELSECNET/B data link system reference manual

- (4) Be sure that the following items are included in the package.

Item	Quantity
A1SJ71AT21B data link module	1
Terminal resistance (110 Ω, 1/2 W)	1

Refer to the section 3.2 about connection for terminal resistance.

2. SPECIFICATIONS

2 SPECIFICATIONS

2.1 General Specifications

Item	Specifications				
Operating ambient temperature	0 to 55°C (See the important notice described below)				
Storage ambient temperature	-20 to 75°C				
Operating ambient humidity	10 to 90% RH non condensing				
Storage ambient humidity	10 to 90% RH, non condensing				
Vibration resistance	Conforms to JIS C 0911	Frequency	Acceleration	Amplitude	Sweep Count *1 (1 octave /minute)
		10 to 55 Hz	—	0.075 mm (0.003 inch)	
		55 to 150 Hz	9.8 m/s ² (1g)	—	
Shock resistance	Conforms to JIS C 0912 (98 m/s ² (10g) x 3 times in 3 directions)				
Noise durability	By noise simulator of 1500 Vpp noise voltage, 1 μs noise width and 25 to 60 Hz noise frequency				
Dielectric withstand voltage	1500 VAC for 1 minute across AC external terminals and ground 500 VAC for 1 minute across DC external terminals and ground				
Insulation resistance	5 MΩ or greater by 500 VDC insulation resistance tester across AC external terminals and ground				
Grounding	Class 3 grounding; Ground to the panel if proper grounding is not available				
Operating ambient	Free of corrosive gases. Dust should be minimal.				
Cooling method	Self-cooling				

The United States	Mitsubishi Electronics America Inc. (Industrial Automation Division) 800 Biermann Court, Mt. Prospect, IL 60056 Phone: (708)298-9223
Canada	Mitsubishi Electric Sales Canada Inc. (Industrial Automation Division) 4299 14th Avenue, Markham, Ontario L3R 0J2 Phone: (416)475-7728
United Kingdom	Mitsubishi Electric UK Ltd. (Industrial Sales Division) Travellers Lane, Hatfield, Herts AL10 8XB Phone: (0707)276100
Germany	Mitsubishi Electric Europe GmbH (Industrial Automation Division) Gothaer Strasse 8, Postfach 1548 D 4030 Ratingen 1 Phone: (02102)4860
Taiwan	Seteyo Enterprise Co. Ltd. (106) 11th Fl., Chung Ling Bldg., 363 Sec 2, Fu Hsing S. Rd. Taipei Taiwan R.O.C. Phone: (02)732 0161
Hongkong (& China)	Ryoden International Ltd. (Industrial & Electrical Controls Division) 10/F., Manulife Tower, 169 Electric Rd., North Point, Hong Kong Phone: 8878870
Singapore (& Malaysia)	MELCO Sales Singapore Pte. Ltd. (Industrial Division) 307 Alexandra Rd. #05 01/02, Mitsubishi Electric Bldg. Singapore 0315 Phone: 4732308
Thailand	F.A. Tech Co. Ltd. 1138/33 34 Rama 3 Rd., Yannawa Bangkok 10120 Phone: (02)295 2861-4
Australia	Mitsubishi Electric Australia Pty. Ltd. (Industrial Controls Division) 348 Victoria Rd., Rydalmere N.S.W. 2116 Phone: (02)684 7200
Republic of South Africa	M.S.A. Manufacturing (Pty) Ltd. (Factory Automation Division) P.O. Box 39733, Bramley Johannesburg 2018 Phone: (011)444 8080

MITSUBISHI ELECTRIC CORPORATION
HEAD OFFICE: 2-1-1 HAMAOKA, YAMAGUCHI-KEN 750 JAPAN
TEL: 0852-3321
FAX: 0852-3322
MELCO TOKYO: 1-1-1 YAMAGUCHI, TOKYO 100 JAPAN
TEL: 03-5621-5151
FAX: 03-5621-5152
MELCO NAGOYA: 1-1-1 YAMAGUCHI, NAGOYA 466 JAPAN
TEL: 052-733-2111
FAX: 052-733-2112

When imported from Japan, this manual does not require application in the Ministry of International Trade and Industry for service transactions permission.

IB (NA) 68478 A (9404) ROD Printed in Japan

Specifications subject to change without notice.

REMARKS

- (1) One octave marked *1 indicates a change from the initial frequency to double or half frequency. For example, any of the changes from 10 to 20 Hz, from 20 to 40 Hz, or 20 to 10 Hz are referred to as one octave.
- (2) *2 JIS Japanese Industrial Standard

IMPORTANT

Restriction for UL Standard approved products

In order to be recognized as UL listed products, the following restrictions apply:

- (1) Operating ambient temperature is limited from 0 to 50°C
- (2) A class 2 power supply recognized by the UL Standard must be used

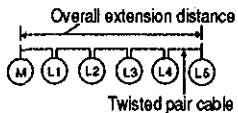
2.2 Performance Specifications

Item	Specifications
Model	A1SJ71AT21B
Max number of I/O points for the data link	Input (X) Output (Y) Depends on the max number of I/O points of the utilized PC CPU
Max number of link devices allocated to per system	B 4096 (512 bytes)
	W 4096 (8192 bytes)
Max number of link points per station	$\frac{Y \text{ (points)} + B \text{ (points)}}{8} + 2 \times W \text{ (points)} \leq 1024 \text{ bytes}$
Current consumption (5 VDC)	0.66 A
Weight	0.22 kg
Allowable momentary power failure time	20 msec
Communication speeds	125K bps/250K bps/500K bps/1M bps
Communication method	Half duplex bit serial method

Item	Specifications
Synchronous method	Frame synchronous method
Transmission path method	Bus type
Overall extension distance	Varies according to the communication speed
Number of connected stations	Max 32 units (1 master station, 31 local stations)
Modulation method	NRZL method
Transmission format	Conforms to HDLC (frame method)
Error control system	Retry due to CRC (generating polynomial $X^{16} + X^{12} + X^5 + 1$) and timeout
RAS function	Diagnostic function such as host link line
Connecting terminal	Terminal block
Applicable cable	Shielded twisted wire pair cable (KNPEV-SB 0.5SQ x 1P)
Number of occupied I/O points	32 points

REMARK

(1) The overall extension distance is the distance between both end stations in the MELSECNET /B data link system



(2) Relationship between communication speeds and the overall distance is shown below:

	Communication Speeds			
	125K bps	250K bps	500K bps	1M bps
Overall distance	1200 m (3936 ft)	600 m (1968 ft)	400 m (1312 ft)	200 m (656 ft)

3. HANDLING

3 HANDLING

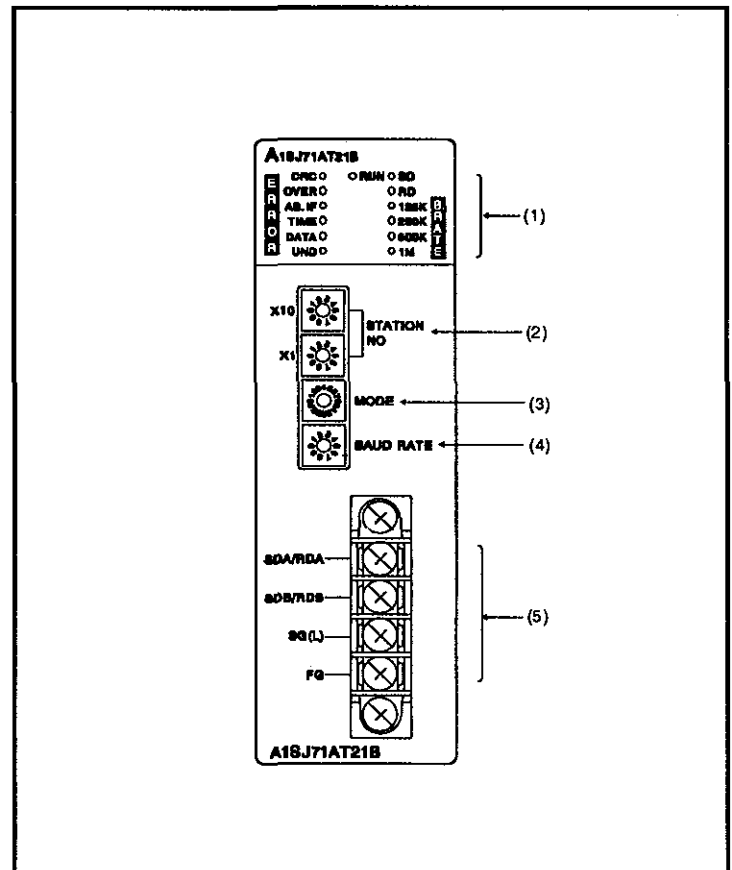
3.1 Handling Instructions

Handle the A1SJ71AT21B as indicated below

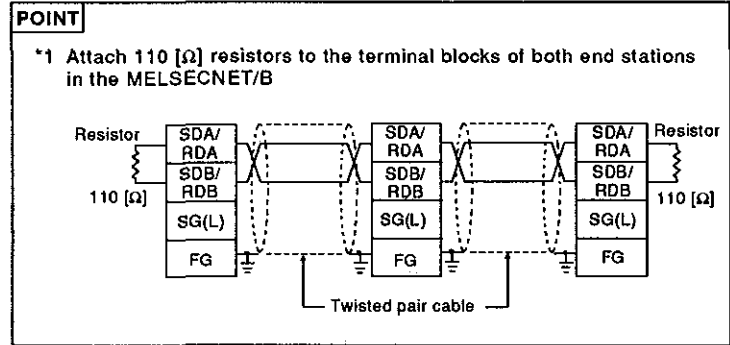
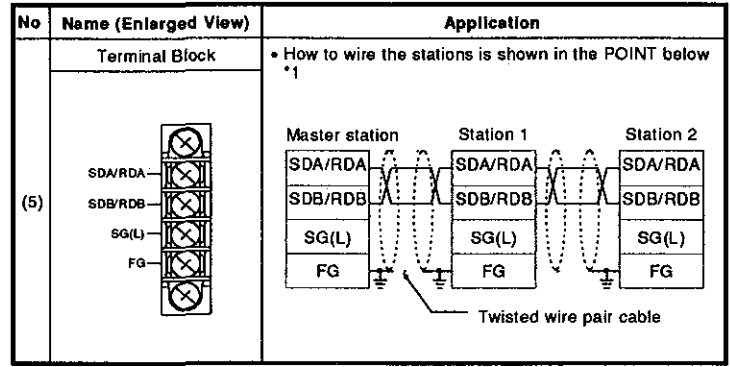
- (1) Protect the case from impact, since it is made from resin
- (2) Do not touch or remove the printed circuit boards from the case
- (3) When wiring, make every effort to keep wire offcuts from entering the module. Make sure to remove any which do enter the module
- (4) To install the module to the base unit, tighten the screws as indicated:

Screw Location	Tightening Torque Range N cm (kg-cm) [lb Inch]
Cable terminal screw (M3.5 screw)	59 to 88 (6 to 9) [5.2 to 7.79]
Terminal block mounting screw (M3.5 screw)	59 to 88 (6 to 9) [5.2 to 7.79]
Module mounting screw (M4 screw)	78 to 112 (8 to 12) [8.93 to 10.39]

3.2 Nomenclature



No	Name (Enlarged View)	Descriptions			
(1)	Operation Status and Error Indication LED 	LED	Operation	LED	Operation
		CRC	Goes ON when a code check error is detected	RUN SD	ON during data transmission
		OVER	Goes ON when a data read is delayed	RD	ON during data transmission
		AB IF	ON when all data consists of 1s	125K	Indication of baud rate
		TIME	Goes ON when a timeout occurs	250K	
		DATA	Goes ON when a data error occurs	500K	
		UNDR	Goes ON when an underrun error occurs	1M	
(2)	Station Number Switch 	<ul style="list-style-type: none"> When this station is used as the master station, set these switches to 00 When this station is used as a local station, set these switches within the range of 01 to 31 			



No	Name (Enlarged View)	Application		
(3)	Mode Selection Switch 	Setting Number	Name	Description
		0	Online (A R)	Automatically returns when the module operates normally
		1	Online (U R)	Does not automatically return when the module operates normally
		2	Offline	Releases the self station
		3 4	—	Unused
		5	Test 1 (B M)	Inter station test mode (master station)
		6	Test 2 (B S)	Inter-station test mode (slave station)
		7	Test 3 (S R)	Self-loopback test
		8 to F	—	Unusable
(4)	Baud Rate Switch 	Setting Number	Baud Rate	
		0	125K bps	
		1	250K bps	
		2	500K bps	
		3	1M bps	
		4 to F	Unused*	
* If the switch is set to any number from 4 to F, the LED (DATA) goes ON and the module goes into the offline state				

3.3 Settings of Each Part

- (1) Set the link module in the data link system as shown below:
 - (a) Station number switch setting
Specify the station number of the A1SJ71AT21B within the range of 00 to 31
 - (b) Mode switch setting
Select operation mode
 - (c) The link parameter
When an A1SJ71AT21B is used as a master station, the link parameter in the PC CPU is required
- (2) The MELSECNET, MELSECNET/B data link reference manual gives details

4. SELF-DIAGNOSTIC TESTING

4 SELF-DIAGNOSTIC TESTING

- (1) Self-diagnostic tests check hardware of an A1SJ71-AT21B and twisted pair cable disconnections

Select one of the three modes by the mode setting switch as shown below:

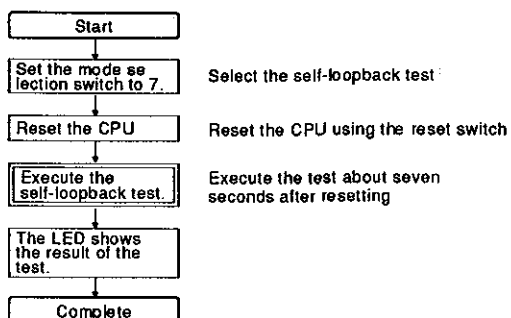
Switch Setting	Mode	Description
5	Inter-station test (master station)	Checks the line between the two stations. Set one station as the master station and the other as the slave station then execute the check.
6	Inter-station test (slave station)	Checks the line between the two stations. Set one station as the master station and the other as the slave station then execute the check.
7	Self-loopback test	Checks hardware of an A1SJ71AT21B itself.

- (2) Only the self-loopback test procedure is explained here. The MELSECNET, MELSECNET/B data link system reference manual gives details of other tests.

4.1 Self-Loopback Test

- (1) Test procedure

The self-loopback test procedure is shown below.



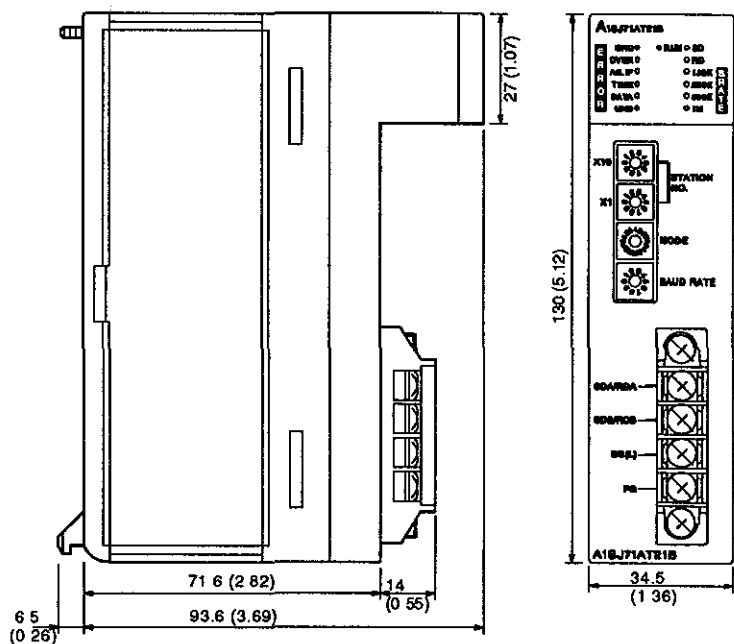
- (2) Test results

The LEDs on the front of an A1SJ71AT21B show the test results.

- (a) If the A1SJ71AT21B is working normally, the LED flashing begins with CRC, followed by OVER, AB IF, TIME, DATA, and UNDER.
- (b) When the A1SJ71AT21B works abnormally, the LED corresponding to the error goes ON. If the test ends before completion, the hardware could be faulty.

5. OUTSIDE DIMENSIONS

5 OUTSIDE DIMENSIONS



Unit: mm (inch)

REVISIONS

Rev.	Description
A	

IMPORTANT

- Design the configuration of a system to provide an external protective or safety interlocking circuit for the CPs.
- The components on the printed circuit boards will be damaged by static electricity, so avoid handling them directly. If it is necessary to handle them, take the following precautions:
 - Ground human body and work bench.
 - Do not touch the conductive areas of the printed circuit board and its electrical parts with and non-grounded tools, etc.

Under no circumstances will Mitsubishi Electric be liable or responsible for any consequential damage that may arise as a result of the installation or use of this equipment.

All examples and diagrams shown in this manual are intended only as an aid to understanding the text, not to guarantee operation. Mitsubishi Electric will accept no responsibility for actual use of the product based on these illustrative examples.

Owing to the very great variety in possible applications of this equipment, you must satisfy yourself as to its suitability for your specific application.