

# **MELSEC A Series**

Programmable Logic Controller

User's Manual  
(Hardware)

## **A1S68TD**

# **Thermocouple Input Module**

# ● SAFETY PRECAUTIONS ●

(Always read before starting use)

When using this equipment, thoroughly read this manual. Also pay careful attention to safety and handle the module properly.

These precautions apply only to this equipment.

Refer to the user's manual of the CPU module to use for a description of the PLC system safety precautions.


These "Safety Precautions" classify the safety precautions into two categories: "DANGER" and "CAUTION".



Procedures which may lead to a dangerous condition and cause death or serious injury if not carried out properly.



Procedures which may lead to a dangerous condition and cause superficial to medium injury, or physical damage only, if not carried out properly.

Depending on circumstances, procedures indicated by  **CAUTION** may also be linked to serious results.

In any case, it is important to follow the directions for usage.

Store this manual in a safe place so that you can take it out and read it whenever necessary. Always forward it to the end user.

## [DESIGN PRECAUTIONS]

### CAUTION

- Do not bunch the control wires or communication cables with the main circuit or power wires, or install them close to each other. They should be installed 100mm (3.9inch) or more from each other. Not doing so could result in noise that would cause erroneous operation.

## [INSTALLATION PRECAUTIONS]

### CAUTION

- Use each module in an environment as specified in the “general specification” in the detailed manual.  
Using the PLC outside the range of the general specifications may result in electric shock, fire or malfunction, or may damage or degrade the module.
- Before mounting the module, insert the module fixing hook at the bottom of the module into the fixing hole in the base unit. Improper mounting of the module can cause a malfunction, failure or drop.

## [WIRING PRECAUTIONS]

### CAUTION

- Always ground the FG terminal to the protective ground conductor. Not doing so can cause a malfunction.
- Carry out wiring to the PLC correctly, checking the rated voltage and terminal arrangement of the product.  
Using a power supply that does not conform to the rated voltage, or carrying out wiring incorrectly, will cause fire or failure.
- Tighten the terminal screws to the stipulated torque.  
Loose screws will cause short circuits, fire, or malfunctions.
- Make sure that no foreign matter such as chips or wiring offcuts gets inside the module. It will cause fire, failure or malfunction.

## [STARTING AND MAINTENANCE PRECAUTIONS]

### CAUTION

- Do not touch the terminals before switching power off externally in all phases.  
Doing so can cause a malfunction.
- Start cleaning or terminal screw retightening after switching power off externally in all phases.  
Not doing so can cause a malfunction.
- Do not disassemble or modify any module.  
This will cause failure, malfunction, injuries, or fire.
- Mount or dismount the module after switching power off externally in all phases.  
Not doing so can cause the module to fail or malfunction.

## [DISPOSAL PRECAUTIONS]

### CAUTION

- When disposing of this product, treat it as industrial waste.

## About the Manuals

The following manuals are also related to this product.  
In necessary, order them by quoting the details in the tables below.

### Detailed Manual

Manual name	Manual No. (Model code)
Thermocouple input module type A1S68TD User's Manual	IB-66571 (13J781)

# 1. General Description

This manual describes the specifications and nomenclature of the A1S68TD type thermocouple input module (hereafter called the “A1S68TD”), which is be used in combination with a MELSEC-A series programmable controller AnSCPU module (hereafter called the “PLC CPU”).

# 2. Performance Specifications

The following table shows the performance specifications of the A1S68TD.

Item		Specification				
Temperature sensor input		0 to 1700°C				
Output	Detected temperature value	16 bit signed binary (0 to 17000 Value to the first decimal place x 10)				
	Scaling value	16-bit signed binary (0 to 2000)				
Applicable thermocouple types and their temperature measurement ranges and accuracy			Applicable thermocouple type *1	Temperature measurement range	Conversion accuracy (at operating ambient temperature of 25±5°C)	Temperature characteristic (when operating ambient temperature varies by 1°C)
		B	800 to 1700°C	±2.5°C	±0.4°C	
		R	300 to 1600°C	±2°C	±0.3°C	
		S	300 to 1600°C	±0.5°C or ±0.25°C of the measured temperature, whichever is larger	±0.07°C or ±0.02°C of the measured temperature, whichever is larger	
		K	0 to 1200°C			
		E	0 to 800°C			
		J	0 to 750°C			
T	0 to 350°C					
Cold junction compensation accuracy		±1°C				
Overall accuracy		According to the calculation formula in *2				
Maximum resolution		B, R, S : 0.3°C K, E, J, T : 0.1°C				
Maximum conversion speed		400 ms/8 channels *3				
Absolute maximum input		±5V				
Number of analogue input points		8 channels +Pt100 connection channel/module				

Item	Specification			
Isolation specifications	Specific isolated area	Isolation method	Dielectric withstand voltage	Insulation resistance
	Between thermocouple input and PLC power supply	Transformer isolation	500V AC for 1 minute	5MΩ or more (measured with a 500V DC insulation resistance tester)
	Between thermocouple input channels			
	Between cold junction temperature compensation (Pt100) and PLC power supply	Not isolated	-	-
Number of occupied I/O points	32 points			
Connection terminal	20-terminal block			
External power supply	Unnecessary			
Applicable wire size	0.75 to 1.5 mm <sup>2</sup>			
Applicable solderless terminal	R1.25-3 1.25 YS3, RAV 1.25 3, V1.25 YS3A			
Internal current consumption (5 VDC)	0.32A			
Weight kg (lb)	0.28 (0.61)			
External dimensions mm (inch)	130 (5.12)(H)×34.5 (1.36) (W)×93.6 (3.69) (D)			

\*1: Use the thermocouple selector DIP switches to set the thermocouple type for every four channels (CH1-CH4, CH5-CH8).

The switches are set to thermocouple type K on delivery.

\*2: The formula for calculation of overall accuracy is as follows

(Overall accuracy) = (Conversion accuracy) + (Temperature characteristic) × (Operation ambient temperature version) + (Cold junction compensation accuracy)  
 (Example) Overall accuracy when the type of thermocouple used is type B and the operation ambient temperature is 35°C:

Overall accuracy = (±2.5°C) + (±0.4°C) × (5°C) × (±1°C) = ±5.5°C

\*3: The maximum conversion speed means the time from thermocouple signal input to its conversion to the corresponding digital value.

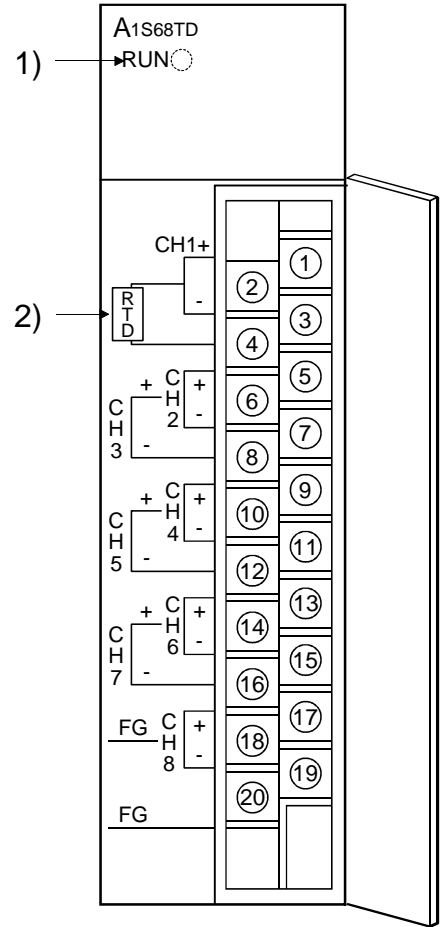
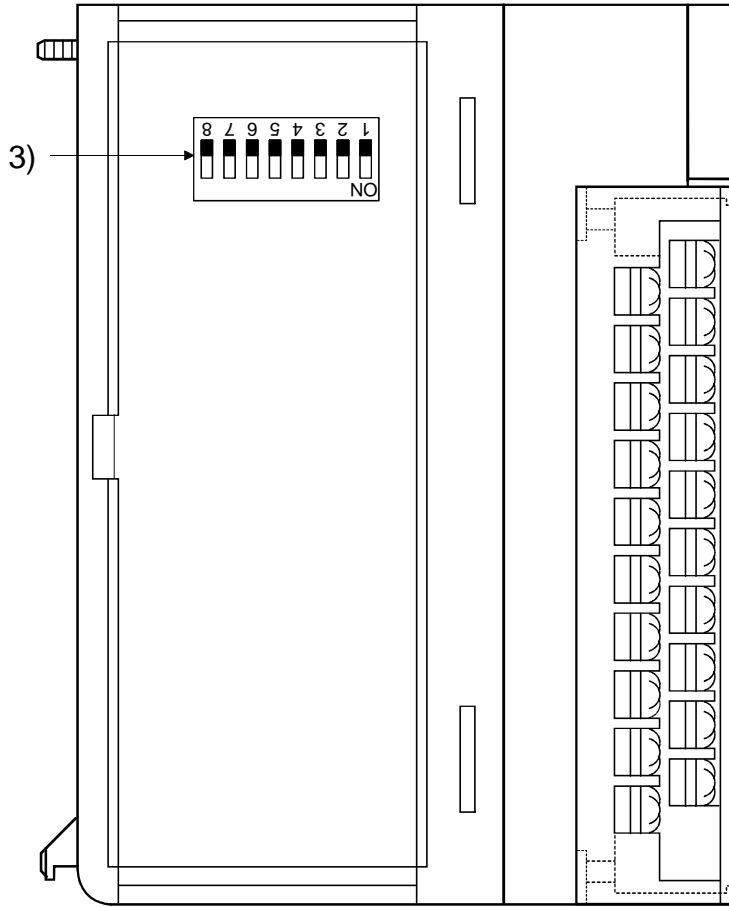
The conversion speed is 400 msec, regardless of the number of channels.

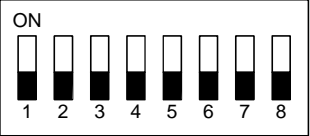
For the general specifications, refer to the user's manual for the PLC CPU are used.

# 3. Nomenclature and Settings

## 3.1 Nomenclature

This section gives the name of each part of the A1S68TD.



No.	Name and appearance	Description																																																															
1)	RUN LED RUN ○	Displays the operation status of the A1S68TD On : Normal operation Flash : Switch setting error, write disabled error, lower/upper limit value setting error, disconnection detected, etc Off : 5 V power cut, watchdog timer error																																																															
2)	RTD Pt100	RTD for measuring the terminal block temperature (supplied with the module)																																																															
3)	Thermocouple selector switch 	Used to set the thermocouple type used for CH1-CH4 and CH5-CH8. <table border="1" data-bbox="539 421 1508 819"> <thead> <tr> <th colspan="2" rowspan="2"></th> <th colspan="5">Setting for CH1-CH4</th> <th colspan="3">Setting for CH5-CH8</th> </tr> <tr> <th>SW1</th> <th>SW2</th> <th>SW3</th> <th>SW4</th> <th>SW5</th> <th>SW6</th> <th>SW7</th> <th>SW8</th> </tr> </thead> <tbody> <tr> <td rowspan="6" style="writing-mode: vertical-rl; transform: rotate(180deg);">Thermocouple type</td> <td>K</td> <td rowspan="2">OFF</td> <td rowspan="2">OFF</td> <td>OFF</td> <td>OFF</td> <td rowspan="2">OFF</td> <td rowspan="2">OFF</td> <td rowspan="2">OFF</td> <td>OFF</td> </tr> <tr> <td>E</td> <td>ON</td> <td>ON</td> <td>ON</td> </tr> <tr> <td>J</td> <td rowspan="2">OFF</td> <td rowspan="2">OFF</td> <td>ON</td> <td>OFF</td> <td rowspan="2">OFF</td> <td rowspan="2">OFF</td> <td rowspan="2">ON</td> <td>OFF</td> </tr> <tr> <td>T</td> <td>ON</td> <td>ON</td> <td>ON</td> </tr> <tr> <td>B</td> <td rowspan="3">ON</td> <td rowspan="3">ON</td> <td>OFF</td> <td>OFF</td> <td rowspan="3">ON</td> <td rowspan="3">ON</td> <td rowspan="3">OFF</td> <td>OFF</td> </tr> <tr> <td>R</td> <td>ON</td> <td>ON</td> <td>ON</td> </tr> <tr> <td>S</td> <td>ON</td> <td>OFF</td> <td>OFF</td> <td>OFF</td> </tr> </tbody> </table>			Setting for CH1-CH4					Setting for CH5-CH8			SW1	SW2	SW3	SW4	SW5	SW6	SW7	SW8	Thermocouple type	K	OFF	OFF	OFF	OFF	OFF	OFF	OFF	OFF	E	ON	ON	ON	J	OFF	OFF	ON	OFF	OFF	OFF	ON	OFF	T	ON	ON	ON	B	ON	ON	OFF	OFF	ON	ON	OFF	OFF	R	ON	ON	ON	S	ON	OFF	OFF	OFF
		Setting for CH1-CH4					Setting for CH5-CH8																																																										
		SW1	SW2	SW3	SW4	SW5	SW6	SW7	SW8																																																								
Thermocouple type	K	OFF	OFF	OFF	OFF	OFF	OFF	OFF	OFF																																																								
	E			ON	ON				ON																																																								
	J	OFF	OFF	ON	OFF	OFF	OFF	ON	OFF																																																								
	T			ON	ON				ON																																																								
	B	ON	ON	OFF	OFF	ON	ON	OFF	OFF																																																								
	R			ON	ON				ON																																																								
S	ON			OFF	OFF				OFF																																																								



## 4. Handling

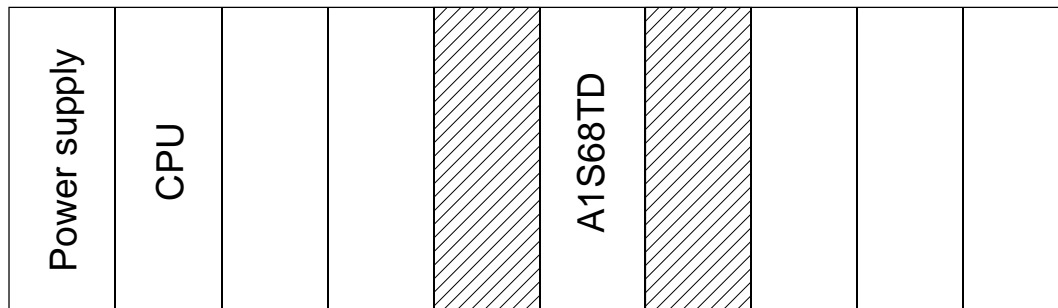
### 4.1 Cautions on handling

- (1) The module case and the terminal block are made of resin. Do not drop the module or subject it to shock.
- (2) Do not remove the printed circuit board from the module case.  
This could cause failure.
- (3) During wiring, take all possible measures to prevent wire scraps or foreign matter from entering the module.  
If anything enters the module, remove it completely.
- (4) Tighten the module mounting screws and the terminal screws to the torques specified in the following table:

Screw	Tightening torque range
Module mounting screw (M4 screw)	78 to 118N • cm
Terminal block terminal screw (M3.5 screw)	59 to 88N • cm
Terminal block mounting screw (M4 screw)	78 to 118N • cm

### 4.2 Cautions on installation

- (1) Do not load an AC voltage I/O module in the right end or left end slot of the A1S68TD.  
Doing so may cause the I/O module to generate noise, making stable temperature measurement impossible.



- (2) During wiring, follow the instructions in Chapter 5 to prevent noise.

## 5. Wiring

This section gives the cautions on wiring and a connection example for the module.

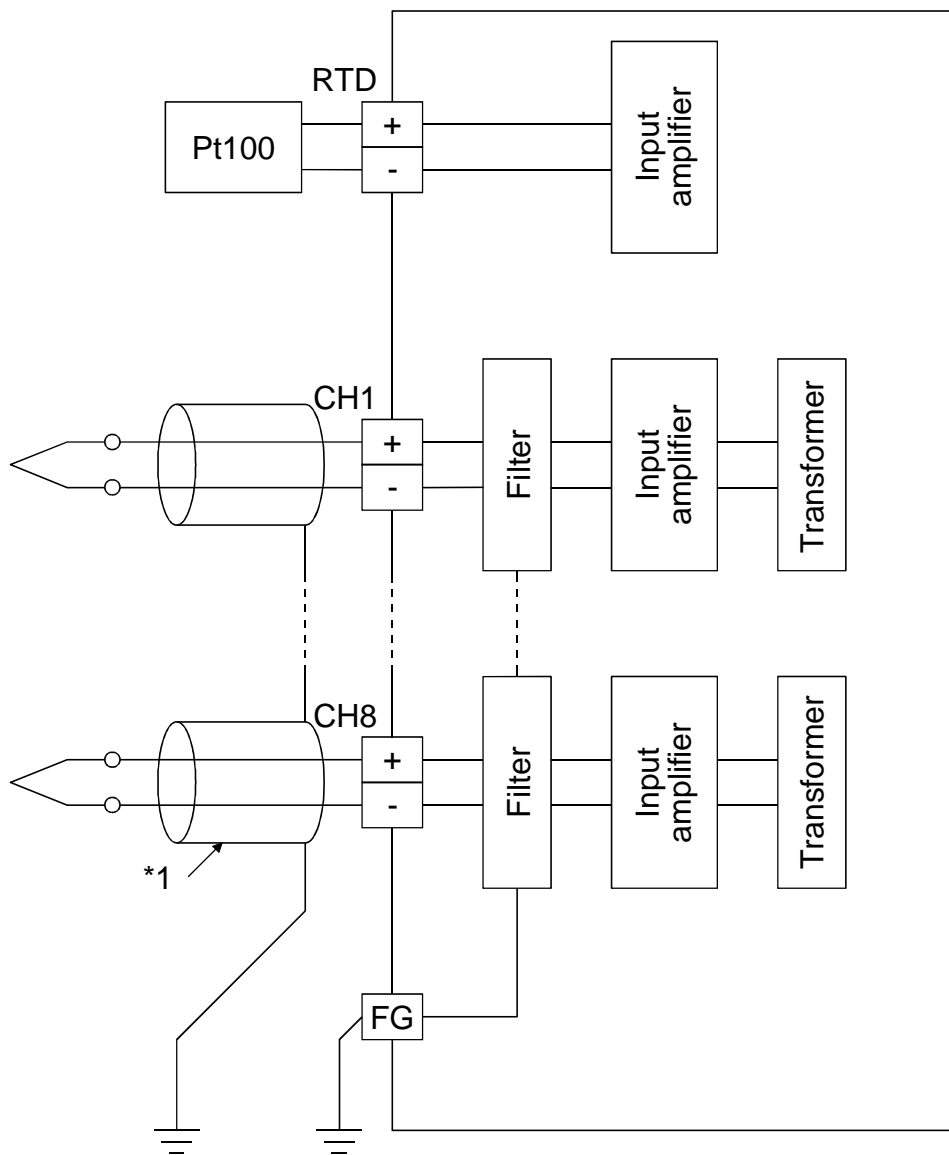
### 5.1 Wiring precautions

To establish a highly reliable system by making the best use of the A1S68TD functions, external wiring that is not susceptible to the effects of noise is required.

The cautions on wiring are presented below.

- (1) Use separate cables for AC input current and external input signals to the A1S68TD. This can prevent the effects of surge or induction of the AC input current.
- (2) Keep the thermocouple at least 100mm away from the main circuit and AC control circuit wiring.  
Provide sufficient space between the thermocouple and circuits that generate high harmonics, such as high-voltage wires and main load circuits, otherwise, the thermocouple will be affected by noise, surge or induction.
- (3) Generally, ground the shielded wire or shielded cable at one point on the PLC CPU. However, depending on the external noise level, it may be advisable to ground it at an external location.

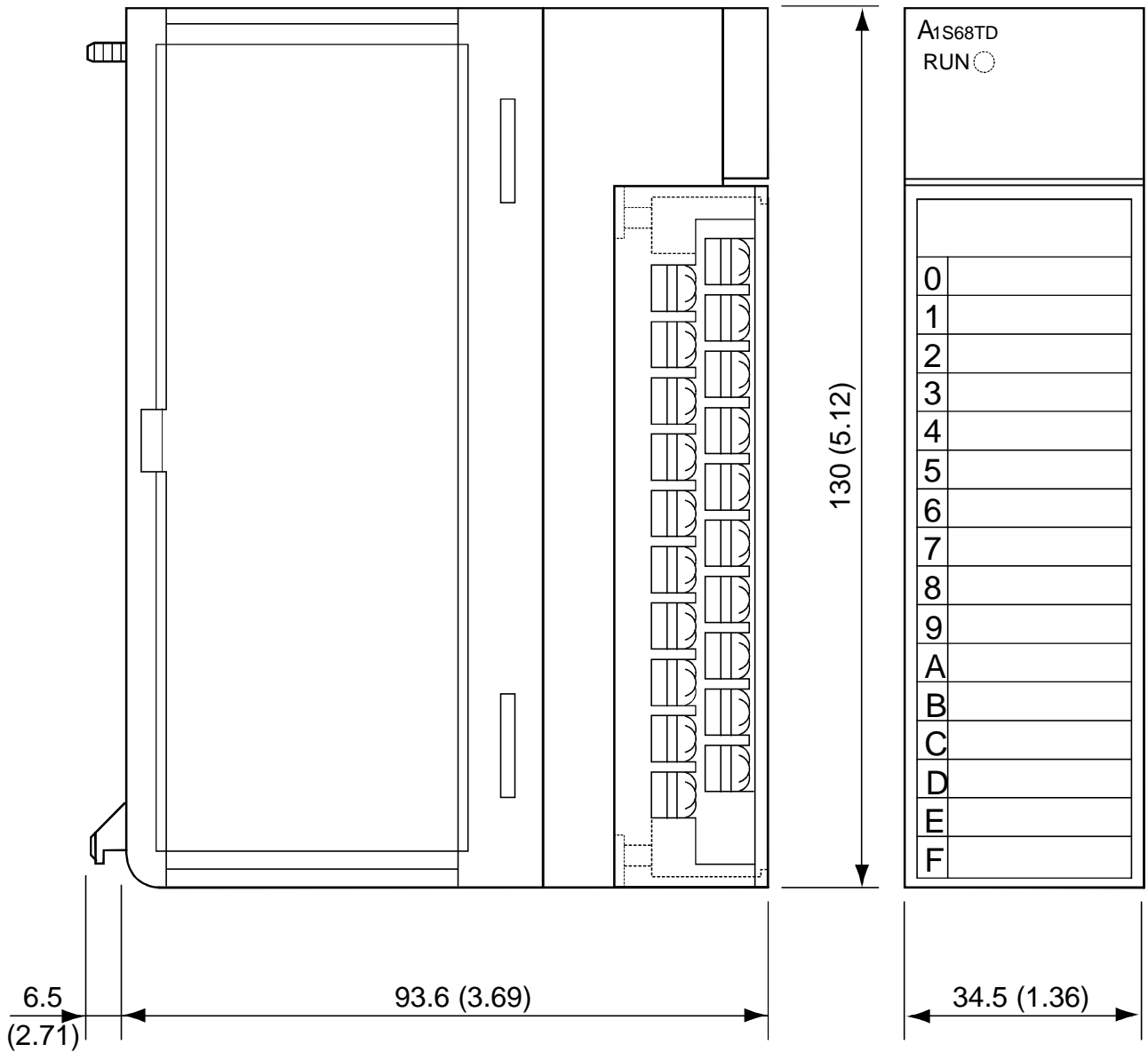
## 5.2 Module connection example



\*1: Use a shielded compensating conductor for the cable.

## 6. Outside Dimensions

The outside dimensions of the A1S68TD are shown below.



Unit: mm (inch)

## Warranty

Mitsubishi will not be held liable for damage caused by factors found not to be the cause of Mitsubishi; machine damage or lost profits caused by faults in the Mitsubishi products; damage, secondary damage, accident compensation caused by special factors unpredictable by Mitsubishi; damages to products other than Mitsubishi products; and to other duties.

### For safe use

- This product has been manufactured as a general-purpose part for general industries, and has not been designed or manufactured to be incorporated in a device or system used in purposes related to human life.
- Before using the product for special purposes such as nuclear power, electric power, aerospace, medicine or passenger movement vehicles, consult with Mitsubishi.
- This product has been manufactured under strict quality control. However, when installing the product where major accidents or losses could occur if the product fails, install appropriate backup or failsafe functions in the system.

Country/Region	Sales office/Tel	Country/Region	Sales office/Tel
U.S.A	Mitsubishi Electric Automation Inc. 500 Corporate Woods Parkway Vernon Hills, IL 60061 Tel : +1-847-478-2100	Hong Kong	Ryoden Automation Ltd. 10th Floor, Manulife Tower, 169 Electric Road, North Point, HongKong Tel : +852-2887-8870
Brazil	MELCO-TEC Rep. Com.e Assessoria Tecnica Ltda. AV. Paulista 1471, Conj. 308, Sao Paulo City, Sao Paulo State, Brazil Tel : +55-11-283-2423	China	Ryoden Automation Shanghai Ltd. 3F Block5 Building Automation Instrumentation Plaza 103 Cao Bao Rd. Shanghai 200233 China Tel : +86-21-6475-3228
Germany	Mitsubishi Electric Europe B.V. German Branch Gothaer Strasse 8 D-40880 Ratingen, GERMANY Tel : +49-2102-486-0	Taiwan	Setsuyo Enterprise Co., Ltd. 6F., No.105 Wu-Kung 3rd.RD, Wu-Ku Hsiang, Taipei Hsine, Taiwan Tel : +886-2-2299-2499
U.K	Mitsubishi Electric Europe B.V. UK Branch Travellers Lane, Hatfield, Herts., AL10 8XB,UK Tel : +44-1707-276100	Korea	HAN NEUNG TECHNO CO.,LTD. 1F Dong Seo Game Channel Bldg., 660-11, Deungchon-dong Kangsec-ku, Seoul, Korea Tel : +82-2-3660-9552
Italy	Mitsubishi Electric Europe B.V. Italian Branch Centro Dir. Colleoni, Pal. Perseo-Ingr.2 Via Paracelso 12, 20041 Agrate B., Milano, Italy Tel : +39-039-6053344	Singapore	Mitsubishi Electric Asia Pte, Ltd. 307 ALEXANDRA ROAD #05-01/02, MITSUBISHI ELECTRIC BUILDING SINGAPORE 159943 Tel : +65-6473-2308
Spain	Mitsubishi Electric Europe B.V. Spanish Branch Carretera de Rubi 76-80 08190 - Sant Cugat del Valles, Barcelona, Spain Tel : +34-93-565-3131	Thailand	F. A. Tech Co.,Ltd. 898/28,29,30 S.V.City Building,Office Tower 2,Floor 17-18 Rama 3 Road, Bangkokpang, Yannawa, Bangkok 10120 Tel : +66-2-682-6522
France	Mitsubishi Electric Europe B.V. French Branch 25 Boulevard des Bouvets, F-92741 Nanterre Cedex, France TEL: +33-1-5568-5568	Indonesia	P.T. Autoteknindo SUMBER MAKMUR Jl. Muara Karang Selatan Block A Utara No.1 Kav. No.11 Kawasan Industri/ Pergudangan Jakarta - Utara 14440 Tel : +62-21-663-0833
South Africa	Circuit Breaker Industries LTD. Tripswitch Drive, Elandsfontein Gauteng, South Africa Tel : +27-11-928-2000	India	Messung Systems Put,Ltd. Electronic Sadan NO:111 Unit No15, M.I.D.C BHOSARI,PUNE-411026 Tel : +91-20-712-2807
		Australia	Mitsubishi Electric Australia Pty. Ltd. 348 Victoria Road, PostalBag, No 2, Rydalmere, N.S.W 2116, Australia Tel : +61-2-9684-7777

## MITSUBISHI ELECTRIC CORPORATION

HEAD OFFICE : 1-8-12, OFFICE TOWER Z 14F HARUMI CHUO-KU 104-6212, JAPAN  
NAGOYA WORKS : 1-14, YADA-MINAMI5, HIGASHI-KU, NAGOYA, JAPAN

When exported from Japan, this manual does not require application to the Ministry of Economy, Trade and Industry for service transaction permission.

Specifications subject to change without notice.  
Printed in Japan on recycled paper.



**HEADQUARTERS**

MITSUBISHI ELECTRIC EUROPE B.V. **EUROPE**  
 German Branch  
 Gothaer Straße 8  
**D-40880 Ratingen**  
 Phone: +49 (0)2102 / 486-0  
 Fax: +49 (0)2102 / 486-1120

MITSUBISHI ELECTRIC EUROPE B.V.-org.sl. **CZECH REP.**  
 Czech Branch  
 Avenir Business Park, Radlická 714/113a  
**CZ-158 00 Praha 5**  
 Phone: +420 - 251 551 470  
 Fax: +420 - 251-551-471

MITSUBISHI ELECTRIC EUROPE B.V. **FRANCE**  
 French Branch  
 25, Boulevard des Bouvets  
**F-92741 Nanterre Cedex**  
 Phone: +33 (0)1 / 55 68 55 68  
 Fax: +33 (0)1 / 55 68 57 57

MITSUBISHI ELECTRIC EUROPE B.V. **IRELAND**  
 Irish Branch  
 Westgate Business Park, Ballymount  
**IRL-Dublin 24**  
 Phone: +353 (0)1 4198800  
 Fax: +353 (0)1 4198890

MITSUBISHI ELECTRIC EUROPE B.V. **ITALY**  
 Italian Branch  
 Viale Colleoni 7  
**I-20041 Agrate Brianza (MB)**  
 Phone: +39 039 / 60 53 1  
 Fax: +39 039 / 60 53 312

MITSUBISHI ELECTRIC EUROPE B.V. **POLAND**  
 Poland Branch  
 Krakowska 50  
**PL-32-083 Balice**  
 Phone: +48 (0)12 / 630 47 00  
 Fax: +48 (0)12 / 630 47 01

MITSUBISHI ELECTRIC EUROPE B.V. **RUSSIA**  
 52, bid. 3 Kosmodamianskaya nab 8 floor  
**RU-115054 Moscow**  
 Phone: +7 495 721-2070  
 Fax: +7 495 721-2071

MITSUBISHI ELECTRIC EUROPE B.V. **SPAIN**  
 Spanish Branch  
 Carretera de Rubí 76-80  
**E-08190 Sant Cugat del Vallés (Barcelona)**  
 Phone: 902 131121 // +34 935653131  
 Fax: +34 935891579

MITSUBISHI ELECTRIC EUROPE B.V. **UK**  
 UK Branch  
 Travellers Lane  
**UK-Hatfield, Herts. AL10 8XB**  
 Phone: +44 (0)1707 / 27 61 00  
 Fax: +44 (0)1707 / 27 86 95

MITSUBISHI ELECTRIC CORPORATION **JAPAN**  
 Office Tower "Z" 14 F  
 8-12,1 chome, Harumi Chuo-Ku  
**Tokyo 104-6212**  
 Phone: +81 3 622 160 60  
 Fax: +81 3 622 160 75

MITSUBISHI ELECTRIC AUTOMATION, Inc. **USA**  
 500 Corporate Woods Parkway  
**Vernon Hills, IL 60061**  
 Phone: +1 847 478 21 00  
 Fax: +1 847 478 22 53

**EUROPEAN REPRESENTATIVES**

GEVA **AUSTRIA**  
 Wiener Straße 89  
**AT-2500 Baden**  
 Phone: +43 (0)2252 / 85 55 20  
 Fax: +43 (0)2252 / 488 60

TEHNIKON **BELARUS**  
 Oktyabrskaya 16/5, Off. 703-711  
**BY-220030 Minsk**  
 Phone: +375 (0)17 / 210 46 26  
 Fax: +375 (0)17 / 210 46 26

ESCO DRIVES & AUTOMATION **BELGIUM**  
 Culliganlaan 3  
**BE-1831 Diegem**  
 Phone: +32 (0)2 / 717 64 30  
 Fax: +32 (0)2 / 717 64 31

Koning & Hartman b.v. **BELGIUM**  
 Woluwelaan 31  
**BE-1800 Vilvoorde**  
 Phone: +32 (0)2 / 257 02 40  
 Fax: +32 (0)2 / 257 02 49

INEA BH d.o.o. **BOSNIA AND HERZEGOVINA**  
 Aleja Lipa 56  
**BA-71000 Sarajevo**  
 Phone: +387 (0)33 / 921 164  
 Fax: +387 (0)33 / 524 539

AKHNATON **BULGARIA**  
 4 Andrej Ljapchev Blvd. Pb 21  
**BG-1756 Sofia**  
 Phone: +359 (0)2 / 817 6044  
 Fax: +359 (0)2 / 97 44 06 1

INEA CR d.o.o. **CROATIA**  
 Losinjska 4 a  
**HR-10000 Zagreb**  
 Phone: +385 (0)1 / 36 940 -01 / -02 / -03  
 Fax: +385 (0)1 / 36 940 -03

AutoCont C.S. s.r.o. **CZECH REPUBLIC**  
 Technologická 374/6  
**CZ-708 00 Ostrava-Pustkovec**  
 Phone: +420 595 691 150  
 Fax: +420 595 691 199

Beijer Electronics A/S **DENMARK**  
 Lykkegårdsvej 17  
**DK-4000 Roskilde**  
 Phone: +45 (0)46 / 75 76 66  
 Fax: +45 (0)46 / 75 56 26

Beijer Electronics Eesti OÜ **ESTONIA**  
 Pärnu mnt.160i  
**EE-11317 Tallinn**  
 Phone: +372 (0)6 / 51 81 40  
 Fax: +372 (0)6 / 51 81 49

Beijer Electronics OY **FINLAND**  
 Peltoie 37  
**FIN-28400 Ulvila**  
 Phone: +358 (0)207 / 463 540  
 Fax: +358 (0)207 / 463 541

UTEKO **GREECE**  
 5, Mavrogenous Str.  
**GR-18542 Piraeus**  
 Phone: +30 211 / 1206 900  
 Fax: +30 211 / 1206 999

MELTRADE Kft. **HUNGARY**  
 Fertő utca 14.  
**HU-1107 Budapest**  
 Phone: +36 (0)1 / 431-9726  
 Fax: +36 (0)1 / 431-9727

Beijer Electronics SIA **LATVIA**  
 Rītausmas iela 23  
**LV-1058 Rīga**  
 Phone: +371 (0)784 / 2280  
 Fax: +371 (0)784 / 2281

Beijer Electronics UAB **LITHUANIA**  
 Savanorių Pr. 187  
**LT-02300 Vilnius**  
 Phone: +370 (0)5 / 232 3101  
 Fax: +370 (0)5 / 232 2980

**EUROPEAN REPRESENTATIVES**

ALFATRADE Ltd. **MALTA**  
 99, Paola Hill  
**Malta- Paola PLA 1702**  
 Phone: +356 (0)21 / 697 816  
 Fax: +356 (0)21 / 697 817

INTEHSIS srl **MOLDOVA**  
 bld. Traian 23/1  
**MD-2060 Kishinev**  
 Phone: +373 (0)22 / 66 4242  
 Fax: +373 (0)22 / 66 4280

HIFLEX AUTOM.TECHNIEK B.V. **NETHERLANDS**  
 Wolweverstraat 22  
**NL-2984 CD Ridderkerk**  
 Phone: +31 (0)180 - 46 60 04  
 Fax: +31 (0)180 - 44 23 55

Koning & Hartman b.v. **NETHERLANDS**  
 Haarderbergweg 21-23  
**NL-1101 CH Amsterdam**  
 Phone: +31 (0)20 / 587 76 00  
 Fax: +31 (0)20 / 587 76 05

Beijer Electronics AS **NORWAY**  
 Postboks 487  
**NO-3002 Drammen**  
 Phone: +47 (0)32 / 24 30 00  
 Fax: +47 (0)32 / 84 85 77

Fonseca S.A. **PORTUGAL**  
 R. João Francisco do Casal 87/89  
**PT - 3801-997 Aveiro, Esgueira**  
 Phone: +351 (0)234 / 303 900  
 Fax: +351 (0)234 / 303 910

Sirius Trading & Services srl **ROMANIA**  
 Aleea Lacul Morii Nr. 3  
**RO-060841 Bucuresti, Sector 6**  
 Phone: +40 (0)21 / 430 40 06  
 Fax: +40 (0)21 / 430 40 02

Craft Con. & Engineering d.o.o. **SERBIA**  
 Bulevar Svetog Cara Konstantina 80-86  
**SER-18106 Nis**  
 Phone: +381 (0)18 / 292-24-4/5  
 Fax: +381 (0)18 / 292-24-4/5

INEA SR d.o.o. **SERBIA**  
 Izletnicka 10  
**SER-113000 Smederevo**  
 Phone: +381 (0)26 / 617 163  
 Fax: +381 (0)26 / 617 163

SIMAP s.r.o. **SLOVAKIA**  
 Jána Derku 1671  
**SK-911 01 Trenčín**  
 Phone: +421 (0)32 743 04 72  
 Fax: +421 (0)32 743 75 20

PROCONT, spol. s r.o. Prešov **SLOVAKIA**  
 Kúpeľná 1/A  
**SK-080 01 Prešov**  
 Phone: +421 (0)51 7580 611  
 Fax: +421 (0)51 7580 650

INEA d.o.o. **SLOVENIA**  
 Stegne 11  
**SI-1000 Ljubljana**  
 Phone: +386 (0)1 / 513 8100  
 Fax: +386 (0)1 / 513 8170

Beijer Electronics AB **SWEDEN**  
 Box 426  
**SE-20124 Malmö**  
 Phone: +46 (0)40 / 35 86 00  
 Fax: +46 (0)40 / 93 23 01

Omni Ray AG **SWITZERLAND**  
 Im Schörlí 5  
**CH-8600 Dübendorf**  
 Phone: +41 (0)44 / 802 28 80  
 Fax: +41 (0)44 / 802 28 28

GTS **TURKEY**  
 Bayraktar Bulvarı Nutuk Sok. No:5  
**TR-34775 Yukarı Dudullu-Ümraniye-İSTANBUL**  
 Phone: +90 (0)216 526 39 90  
 Fax: +90 (0)216 526 39 95

CSC Automation Ltd. **UKRAINE**  
 4-B, M. Raskovoyi St.  
**UA-02660 Kiev**  
 Phone: +380 (0)44 / 494 33 55  
 Fax: +380 (0)44 / 494-33-66

**EURASIAN REPRESENTATIVES**

Kazpromautomatiks Ltd. **KAZAKHSTAN**  
 Mustafina Str. 7/2  
**KAZ-470046 Karaganda**  
 Phone: +7 7212 / 50 11 50  
 Fax: +7 7212 / 50 11 50

**MIDDLE EAST REPRESENTATIVES**

ILAN & GAVISH Ltd. **ISRAEL**  
 24 Shenkar St., Kiryat Arie  
**IL-49001 Petah-Tiqva**  
 Phone: +972 (0)3 / 922 18 24  
 Fax: +972 (0)3 / 924 0761

TEXEL ELECTRONICS Ltd. **ISRAEL**  
 2 Ha'umanut, P.O.B. 6272  
**IL-42160 Netanya**  
 Phone: +972 (0)9 / 863 39 80  
 Fax: +972 (0)9 / 885 24 30

CEG INTERNATIONAL **LEBANON**  
 Cebaco Center/Block A Autostrade DORA  
**Lebanon - Beirut**  
 Phone: +961 (0)1 / 240 430  
 Fax: +961 (0)1 / 240 438

**AFRICAN REPRESENTATIVE**

CBI Ltd. **SOUTH AFRICA**  
 Private Bag 2016  
**ZA-1600 Isando**  
 Phone: +27 (0)11 / 977 0770  
 Fax: +27 (0)11 / 977 0761