

CL1PAD1
Power Adapter Model

Thank you very much for purchasing this product.

Please read this manual thoroughly before starting to use the product and handle the product properly.

User's Manual

MODEL	CL1PAD1
MANUAL Number	JY997D04601B
Date	OCTOBER 2002

CC-Link/LT

●SAFETY PRECAUTIONS●

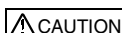
(Read these precautions before using)

Please read this manual carefully and pay special attention to safety in order to handle this product properly. Also pay careful attention to safely and handle the module properly. These precautions apply only to Mitsubishi equipment. Refer to the user's manual of the CPU module to use for a description of the PLC system safety precautions.

These ●SAFETY PRECAUTIONS● classify the safety precautions into two categories: "DANGER" and "CAUTION".



Procedures which may lead to a dangerous condition and cause death or serious injury if not carried out properly.



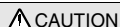
Procedures which may lead to a dangerous condition and cause superficial to medium injury, or physical damage only, if not carried out properly.

Depending on circumstances, procedures indicated by CAUTION may also be linked to serious results. In any case, it is important to follow the directions for usage. Store this manual in a safe place so that you can take it out and read it whenever necessary. Always forward it to the end user.

DESIGN PRECAUTIONS



Depending on a failure in the remote I/O module, the output may become the ON or OFF status. For output signals which can lead to a severe accident, install a circuit monitoring them outside the module.



Do not bind the control cable and the flat cable dedicated to CC-Link/LT together with the main circuit and the power cable. Keep such cables far from the main circuit and the power cable. Assume a distance of 100mm (3.94") or more. Otherwise, malfunction may be caused by noise. Use the power adapter without applying any force on the connector for CC-Link/LT interface and the flat cable dedicated to CC-Link/LT. Otherwise, such cables may be broken or fail.

INSTALLATION PRECAUTIONS



Use the power adapter within an environment described by the general specifications in this manual. If the power adapter is used in any environment outside the range for the general specifications, electrical shock, fire, malfunction, product damage or product deterioration may occur. Do not directly touch the conductive area of the power adapter. Malfunction or damage of the power adapter may be caused by such touching. Securely fix the power adapter with DIN rail or mounting screws. Securely tighten the mounting screws within the specified torque range. If the screws are insufficiently tightened, the power adapter may drop, short-circuit or malfunction. If the screws are excessively tightened, the screws may be damaged, and the power adapter may drop or short-circuit. Install the power adapter on to a flat surface. If the mounting surface is concave and/or convex, and if excessive force is applied on the PC board, nonconformity may occur.

WIRING PRECAUTIONS



Make sure to shut down all phases of the power supply outside the module before starting the installation or wiring work. If all phases are not shut down, electrical shock or product damage may be caused.

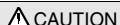


Confirm the rated voltage and the terminal arrangement of the power adapter, then correctly wire the power adapter. If a power supply not conforming to the specification rating is connected or the power adapter is wired incorrectly, fire, failure or malfunction may occur. Tighten the terminal screws within the specified torque range. If the terminal screws are insufficiently tightened, fire or malfunction may occur. If the terminal screws are excessively tightened, the screws may be damaged, and the module may short-circuit or malfunction. Make sure that foreign objects such as cutting and wire chips do not enter the power adapter. Fire, failure or malfunction may be caused by the foreign objects. Attach a warning label (hazard symbol 417-IEC-5036) concerning electric shock to the panel.

STARTING AND MAINTENANCE PRECAUTIONS



Do not touch the terminals while the power is being supplied. Electrical shock or malfunction may be caused by such touching. Shut down all phases of the power supply outside the power adapter before cleaning or tightening the terminal screws. If all phases are not shut down, the power adapter may fail or malfunction.



Do not disassemble or modify the power adapter. Failure, malfunction, injury or fire may be caused by disassembly or modification. The power adapter case is made of resin. Do not drop it. Do not apply strong impact to it. The power adapter may be damaged by dropping or strong impact. Shut down all phases of the power supply outside the power adapter before attaching or removing the power adapter to/from the panel. If all phases are not shut down, the power adapter may fail or malfunction.

DISPOSAL PRECAUTIONS



When disposing of the product, treat it as an industrial waste.

TRANSPORTATION AND MAINTENANCE PRECAUTIONS



During transportation avoid any impact as the module is a precision instrument. Doing so could cause trouble in the module. If it is necessary to check the operation of module after transportation, in case of any impact damage.

Notification of CE marking

This notification does not guarantee that an entire mechanical module produced in accordance with the contents of the notification comply with the following standards. Compliance to EMC standards of the entire mechanical module should be checked by the user / manufacturer.

Standards with which this product complies

Type : Programmable Controller (Open Type Equipment) Remote I/O module
 Models : Products manufactured from November 1st, 2002.

Electromagnetic Compatibility Standards (EMC)	Remark
EN61000-6-4:2001 Electromagnetic compatibility - Generic standards - Emission standard for Industrial environment	Compliance with all relevant aspects of the standard. (Radiated Emissions and Mains Terminal Voltage Emissions)
EN61131-2:1994 Programmable controllers / A11: 1996 - Equipment requirements and tests / A12: 2000	Compliance with all relevant aspects of the standard. (RF Immunity, Fast transients, ESD and Damped oscillatory wave)

For more details please contact the local Mitsubishi Electric sales site. - Notes For compliance to EMC regulation. It is necessary to install the CL1 series module in a shielded metal control panel.

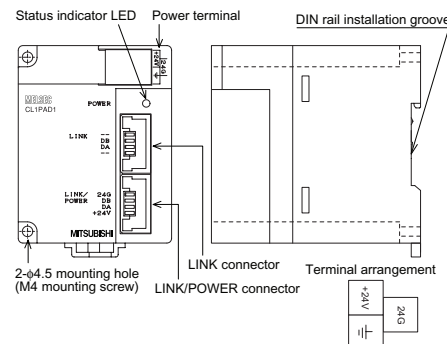
1. Outline of Product

This product is a power adapter connected to CC-Link/LT. This product supplies 24V DC power from an external power supply to the CC-Link/LT system.

At least one power adapter is required per CC-Link/LT system.

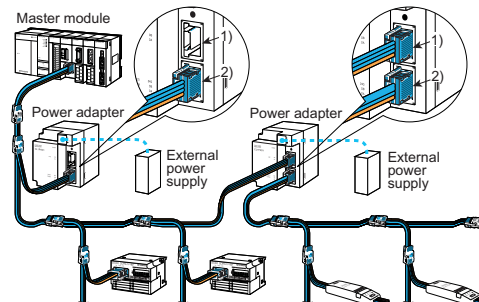
2. Name of Each Part

2.1 Name of each part and assignment



Name	Description
Status indicator LED	POWER Lit while the power is supplied
Interface	LINK connector DB 24G For communication
	LINK/POWER connector DB DA For communication
	+24V 24G Power supply for communication (-)
	+24V 24G Power supply for communication (+)
Power terminal	+24V Supplies power from outside to power adapter. Input voltage: 28.8V DC or less (depending on connected model) Rated input current: 5.0 A (Use a proper external power supply under consideration of initial current of remote I/O modules.)
	24G Ground

2.2 Handling of LINK connector and LINK/POWER connector



- LINK connector
- LINK/POWER connector

LINK connector:

Executes only communication (does not supply power).

Used when two or more power adapters are used in the CC-Link/LT system.

LINK/POWER connector:

Executes communication, and supplies the power to the CC-Link/LT system.

3. Specifications

1) General specifications

Item	Specification			
Ambient working temperature	0 to 55°C (*1) (32 to 131°F)			
Ambient storage temperature	-25 to 75°C (*1) (-13 to 167°F)			
Ambient operating humidity	Conforming to JIS B3502 and IEC61131-2, Level RH-2 (5 to 95%RH: Dew condensation shall not be allowed.)			
Ambient storage humidity	Conforming to JIS B3502 and IEC61131-2, Level RH-2 (5 to 95%RH: Dew condensation shall not be allowed.)			
Vibration resistance	Conforming to JIS B3502 and IEC61131-2			
	Intermittent vibration is present	Number of sweep times		
	Frequency	Acceleration	Half amplitude	10 times in each of X, Y and Z directions (80 min)
	10 to 57Hz	-	0.075mm	
Continuous vibration is present	Frequency	Acceleration	Half amplitude	
10 to 57Hz	-	0.035mm		
57 to 150Hz	4.9m/s ²	-		
Impact resistance	Conforming to JIS B3502 and IEC61131-2 (147 m/s ² , 3 times in each of X, Y and Z directions)			
Operating atmosphere	Corrosive gas should not be present.			
Operating altitude	Conforming to JIS B3502 and IEC61131-2 (2,000m(6561'8") or less)(*2)			
Installation place	Inside control panel			
Over-voltage category	Conforming to JIS B3502 and IEC61131-2 (Category II or less)(*3)			
Degree of contamination	Conforming to JIS B3502 and IEC61131-2, Degree of contamination 2 or less (*4)			

*1 The ambient operating/storage temperature satisfies the requirements beyond the specification in JIS B3502 and IEC61131-2.

*2 The module cannot be used in an environment pressurized above the atmospheric pressure which can be generated around the altitude of 0 m. If the module is used in such an environment, it may fail.

*3 It indicates in which wiring area from the public wiring net to the mechanical module inside the site the equipment is assumed to be connected. The category II applies, for example, to equipment whose power is supplied from a fixed facility. The surge-resistant voltage of equipment whose rating is up to 300V is 2,500V.

*4 This index indicates the degree of generation of conductive substances in the environment in which the module is used. The degree of contamination 2 indicates that contamination is caused by generation of only non-conductive substances. In this degree, however, temporary conduction may be caused by accidental condensation.

2) Performance specifications

Item	Specification
Voltage input range	Depends on the connected model (28.8V DC max.).
Max. rated current	5.0A [Use the power adapter in the range in which the total current consumption of each unit does not exceed the maximum rated current while the power is supplied (except the period immediately after the power is turned on).]
Insulation resistance	10MΩ between the external terminals as a whole and the ground terminal by 500V DC megger
External connection method	Supplies power from outside to power adapter: 3 points (M3 screws) on terminal block Communication line/module power supply module Compatible with flat cable dedicated to CC-Link/LT Connector (with 4 pins) dedicated to CC-Link/LT × 2

4. Installation

The power adapter can be installed to a DIN rail or directly installed with screws.

Each installation procedure is described below.

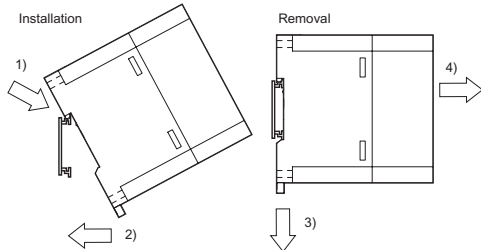
4.1 Installation direction

Do not install the power adapter on the floor surface, the ceiling surface or in the vertical direction. If the power adapter is installed on such a surface or in such a direction, its temperature may rise.

Make sure to install the power adapter on the wall horizontally.

4.2 Installation to DIN rail

Align the upper DIN rail installation groove in the power adapter with the DIN rail 1), and press the power adapter in that status 2). When removing the power adapter, pull downward the hook for installation to DIN rail 3), then remove the power adapter 4).



Applicable DIN rail	TH35-7.5Fe and TH35-7.5Al (conforming to JIS C2812)
----------------------------	---

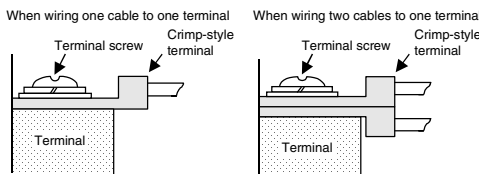
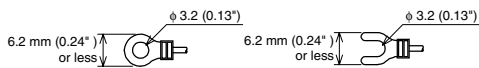
4.3 Direct installation

Screw-tighten the power adapter by tightening M4 screws to the upper and lower mounting holes (two holes in all) provided in the power adapter. Install the module so that the clearance of 1 to 2mm (0.04" to 0.08") is assured for each module.

Applicable screw	M4 × 0.7mm(0.03") × 16mm(0.63") or more (Tightening torque range: 78 to 108 N·cm)
-------------------------	--

4.4 Crimp-style terminal

For the I/O wiring, use crimp-style terminals of the following dimensions.



Applicable crimp-style terminal	• RAV1.25-3 (conforming to JIS C2805) • V1.25-3 (manufactured by JST Mfg. Co., Ltd.) • 1.25-3 and TG1.25-3 (manufactured by NICHIFU Co., Ltd.)
Applicable wire size	0.3 to 1.25 mm ²

5. Construction Cautions

Installation of power adapters

At least one power adapter is required per CC-Link/LT system. When constructing the system using only one power adapter, the following three conditions should be satisfied.

If the following two conditions are not satisfied, use of two or more power adapters in constructing the system.

- The current capacity of the power adapter is 5A, therefore, total current consumption should be an equivalent to or less than 5 A.
- In order to operate the system in stable status, the voltage drop should be equivalent to or less than 3.6 V.
- The minimum operating voltage of each module connected to the power adapter is 20.4 V, therefore, supply voltage subtracted by the voltage drop should be equivalent to or more than 20.4 V.

5.1 System power calculation method

5.1.1 Current consumption calculation

$$\text{Current consumption in CC-Link/LT system} = \text{Total current consumption of each module in CC-Link/LT system} + \text{Total current consumption of I/O equipment (such as sensors) (to which power is supplied via communication cable)*1} \leq 5A$$

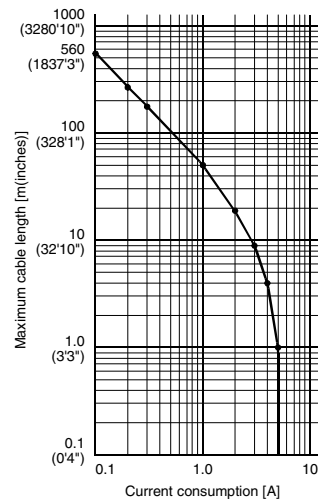
*1 Some remote I/O modules for CC-Link/LT supply the power for I/O via the flat cable dedicated to CC-Link/LT.

For the details, refer to the instruction manual of each remote I/O module.

5.1.2 Voltage drop

Calculate the voltage drop based on the simplified graph or the calculation formula. (supply voltage: 24V DC, ambient temperature: 20°C)

1) Selection based on the simplified graph



One power adapter is allowed within the range shown in the graph above.

2) Selection based on the calculation formula

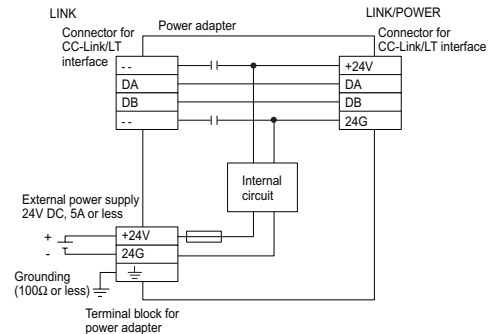
$$\text{Voltage drop (V)} = \frac{\text{Maximum distance (m)} + \text{Constant: 11}}{\text{Constant: 0.06}} \times \text{Total current consumption (A)} \leq 3.6V$$

$$\text{Total current consumption} = \text{Total current consumption of each module in CC-Link/LT system} + \text{Total current consumption of I/O equipment (such as sensors) (to which power is supplied via communication cable)*1}$$

*1 Some remote I/O modules for CC-Link/LT supply the power for I/O via the flat cable dedicated to CC-Link/LT. For the details, refer to the instruction manual of each remote I/O module.

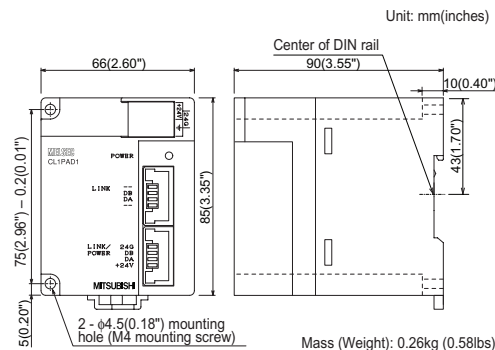
The simplified graph and the calculation formula concerning voltage drop calculations may not be accurate depending on the ambient temperature and the number of used connectors dedicated to CC-Link/LT. If the driving voltage (20.4V) cannot be assured in a used remote I/O module, add another power adapter.

6. Power Wiring



- The external power supply is to be provided by the user.
- Use a proper external power supply with consideration for total current consumption and total initial current of remote I/O modules and I/O equipment (such as sensors) connected to the power adapter.

7. Outside Dimensions



Warranty

Mitsubishi will not be held liable for damage caused by factors found not to be the cause of Mitsubishi; machine damage or lost profits caused by faults in the Mitsubishi products; damage, secondary damage, accident compensation caused by special factors unpredictable by Mitsubishi; damages to products other than Mitsubishi products; and to other duties.

⚠ For safe use

- This product has been manufactured as a general-purpose part for general industries, and has not been designed or manufactured to be incorporated in a device or system used in purposes related to human life.
- Before using the product for special purposes such as nuclear power, electric power, aerospace, medicine or passenger movement vehicles, consult with Mitsubishi.
- This product has been manufactured under strict quality control. However when installing the product where major accidents or losses could occur if the product fails, install appropriate backup or failsafe functions in the system.

Country/Region	Sales office/Tel	Country/Region	Sales office/Tel
U.S.A	Mitsubishi Electric Automation Inc. 500 Corporate Woods Parkway Vernon Hills, IL 60061 Tel : +1-847-478-2100	China	Ryoden International Shanghai Ltd. 3F Blocks Building Automation Instrumentation Plaza 103 Cao Bao Rd. Shanghai 200233 China Tel : +86-21-6475-3228
Brazil	MELCO-TEC Rep. Com.e Assessoria Tecnica Ltda. Av. Rio Branco, 123-15, and S/1507, Rio de Janeiro, RJ CEP 20040-005, Brazil Tel : +55-21-221-8343	Taiwan	Setsuyo Enterprise Co., Ltd. 6F, No.105 Wu-Kung 3rd RD, Wu-Ku Hsiang, Taipei Hsin, Taiwan Tel : +886-2-2299-2499
Germany	Mitsubishi Electric Europe B.V. German Branch Golfer Strasse 8 D-40880 Ratingen, GERMANY Tel : +49-2102-486-0	Korea	HAN NEUNG TECHNO CO.,LTD. 1F Dong Seo Game Channel Bldg, 660-11, Deungchon-dong Kangseck-ku, Seoul, Korea Tel : +82-2-3660-9552
U.K	Mitsubishi Electric Europe B.V. UK Branch Travellers Lane, Hatfield, Herts., AL10 8XB, UK Tel : +44-1707-276100	Singapore	Mitsubishi Electric Asia Pte. Ltd. 307 ALEXANDRA ROAD #05-01/02, MITSUBISHI ELECTRIC BUILDING SINGAPORE 159943 Tel : +65-473-2480
Italy	Mitsubishi Electric Europe B.V. Italian Branch Centro Dir. Coleoni, Pal. Perseo - Ingr 2 Via Paracelso 12, 20041 Agrate B., Milano, Italy Tel:+39-039-60531	Thailand	F.A. Tech Co.,Ltd. 89/28,29,30 S.V.City Building,Office Tower 2, Floor 17-18 Rama 3 Road, Bangkokpungang, Yamnawa, Bangkok 10120 Tel : +66-2-682-6522
Spain	Mitsubishi Electric Europe B.V. Spanish Branch Carretera de Rubi 76-80 08190 - Sant Cugat del Valles, Barcelona, Spain Tel:+34-935-653135	Indonesia	P.T. Autokemindo SUMBER MAKMUR Jl. Muara Karang Selatan Block4 Utara No.1 Kav. No.11 KawasanIndustri/ Pergudangan,Jakarta - Utara 14440 Tel : +62-21-663-0833
South Africa	Circuit Breaker Industries LTD. Private Bag 2016, Isando 1600, Johannesburg, South Africa Tel : +27-11-928-2000	India	Messung Systems Pvt.Ltd. Electronic Sadan NO:111 Unit No15, M.I.D.C BHOSARI PUNE-411026 Tel : +91-20-7128927
Hong Kong	Ryoden Automation Ltd. 10th Floor, Manulife Tower, 169 Electric Road, North Point, HongKong Tel : +852-2887-8870	Australia	Mitsubishi Electric Australia Pty. Ltd. 348 Victoria Road, PostalBag, No.2, Rydalmere, N.S.W 2116, Australia Tel : +61-2-9684-7777

MITSUBISHI ELECTRIC CORPORATION

HEAD OFFICE : MITSUBISHI DENKI BLDG MARUNOUCHI TOKYO 100-8310 TELEX:24332 CABLE MELCO TOKYO
HIMEJI WORKS : 840 CHYODA CHO, HIMEJI, JAPAN

When exported from Japan, this manual does not require application to the Ministry of Economy, Trade and Industry for service transaction permission.

Specifications are subject to change without notice

Thank you very much for purchasing this product.

Please read this manual thoroughly before starting to use the product and handle the product properly.

User's Manual

MODEL	CL1PAD1
MANUAL Number	JY997D04601B
Date	OCTOBER 2002

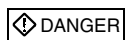
SAFETY PRECAUTIONS

(Read these precautions before using)

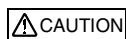
Please read this manual carefully and pay special attention to safety in order to handle this product properly. Also pay careful attention to safety and handle the module properly.

These precautions apply only to Mitsubishi equipment. Refer to the user's manual of the CPU module to use for a description of the PLC system safety precautions.

These SAFETY PRECAUTIONS classify the safety precautions into two categories: "DANGER" and "CAUTION".



Procedures which may lead to a dangerous condition and cause death or serious injury if not carried out properly.



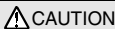
Procedures which may lead to a dangerous condition and cause superficial to medium injury, or physical damage only, if not carried out properly.

Depending on circumstances, procedures indicated by CAUTION may also be linked to serious results. In any case, it is important to follow the directions for usage. Store this manual in a safe place so that you can take it out and read it whenever necessary. Always forward it to the end user.

DESIGN PRECAUTIONS



Depending on a failure in the remote I/O module, the output may become the ON or OFF status. For output signals which can lead to a severe accident, install a circuit monitoring them outside the module.



Do not bind the control cable and the flat cable dedicated to CC-Link/LT together with the main circuit and the power cable. Keep such cables far from the main circuit and the power cable. Assume a distance of 100mm (3.94") or more. Otherwise, malfunction may be caused by noise. Use the power adapter without applying any force on the connector for CC-Link/LT interface and the flat cable dedicated to CC-Link/LT. Otherwise, such cables may be broken or fail.

INSTALLATION PRECAUTIONS



Use the power adapter within an environment described by the general specifications in this manual. If the power adapter is used in any environment outside the range for the general specifications, electrical shock, fire, malfunction, product damage or product deterioration may occur. Do not directly touch the conductive area of the power adapter. Malfunction or damage of the power adapter may be caused by such touching. Securely fix the power adapter with DIN rail or mounting screws. Securely tighten the mounting screws within the specified torque range. If the screws are insufficiently tightened, the power adapter may drop, short-circuit or malfunction. If the screws are excessively tightened, the screws may be damaged, and the power adapter may drop or short-circuit. Install the power adapter on to a flat surface. If the mounting surface is concave and/or convex, and if excessive force is applied on the PC board, nonconformity may occur.

WIRING PRECAUTIONS



Make sure to shut down all phases of the power supply outside the module before starting the installation or wiring work. If all phases are not shut down, electrical shock or product damage may be caused.



Confirm the rated voltage and the terminal arrangement of the power adapter, then correctly wire the power adapter. If a power supply not conforming to the specification rating is connected or the power adapter is wired incorrectly, fire, failure or malfunction may occur. Tighten the terminal screws within the specified torque range. If the terminal screws are insufficiently tightened, fire or malfunction may occur. If the terminal screws are excessively tightened, the screws may be damaged, and the module may short-circuit or malfunction. Make sure that foreign objects such as cutting and wire chips do not enter the power adapter. Fire, failure or malfunction may be caused by the foreign objects. Attach a warning label (hazard symbol 417-IEC-5036) concerning electric shock to the panel.

STARTING AND MAINTENANCE PRECAUTIONS

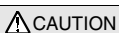


Do not touch the terminals while the power is being supplied. Electrical shock or malfunction may be caused by such touching. Shut down all phases of the power supply outside the power adapter before cleaning or tightening the terminal screws. If all phases are not shut down, the power adapter may fail or malfunction.



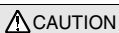
Do not disassemble or modify the power adapter. Failure, malfunction, injury or fire may be caused by disassembly or modification. The power adapter case is made of resin. Do not drop it. Do not apply strong impact to it. The power adapter may be damaged by dropping or strong impact. Shut down all phases of the power supply outside the power adapter before attaching or removing the power adapter to/from the panel. If all phases are not shut down, the power adapter may fail or malfunction.

DISPOSAL PRECAUTIONS



When disposing of the product, treat it as an industrial waste.

TRANSPORTATION AND MAINTENANCE PRECAUTIONS



During transportation avoid any impact as the module is a precision instrument. Doing so could cause trouble in the module. If it is necessary to check the operation of module after transportation, in case of any impact damage.

Notification of CE marking

This notification does not guarantee that an entire mechanical module produced in accordance with the contents of the notification comply with the following standards. Compliance to EMC standards of the entire mechanical module should be checked by the user / manufacturer.

Standards with which this product complies

Type : Programmable Controller (Open Type Equipment) Remote I/O module Models : Products manufactured from November 1st, 2002.

Electromagnetic Compatibility Standards (EMC)	Remark
EN61000-6-4:2001 Electromagnetic compatibility - Generic standards - Emission standard for Industrial environment	Compliance with all relevant aspects of the standard. (Radiated Emissions and Mains Terminal Voltage Emissions)
EN61131-2:1994 Programmable controllers - Notes For compliance to EMC regulation. /A11: 1996 - Equipment requirements and tests /A12: 2000	Compliance with all relevant aspects of the standard. (RF Immunity, Fast transients, ESD and Damped oscillatory wave)

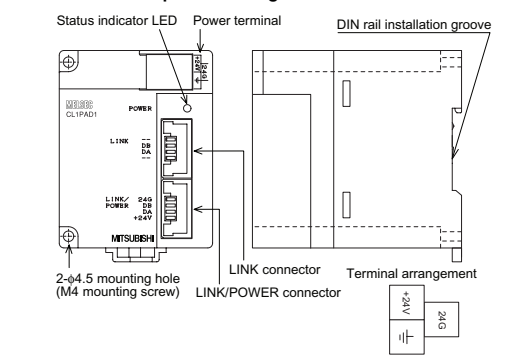
For more details please contact the local Mitsubishi Electric sales site. Notes For compliance to EMC regulation. It is necessary to install the CL1 series module in a shielded metal control panel.

1. Outline of Product

This product is a power adapter connected to CC-Link/LT. This product supplies 24V DC power from an external power supply to the CC-Link/LT system. At least one power adapter is required per CC-Link/LT system.

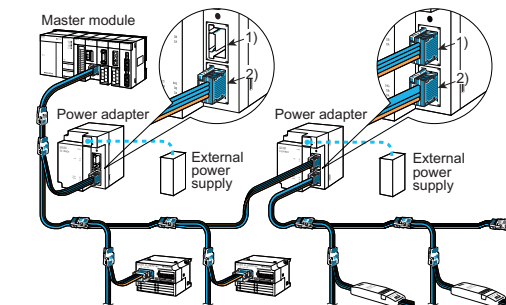
2. Name of Each Part

2.1 Name of each part and assignment



Name	Description
Status indicator LED	POWER: Lit while the power is supplied
Interface	LINK connector: DB: For communication
	DA: For communication
	24G: Power supply for communication (-)
Power terminal	LINK/POWER connector: DB: For communication
	DA: For communication
	+24V: Power supply for communication (+)
Power terminal	+24V: Supplies power from outside to power adapter.
	24G: Input voltage: 28.8V DC or less (depending on connected model) Rated input current: 5.0 A (Use a proper external power supply under consideration of initial current of remote I/O modules.)

2.2 Handling of LINK connector and LINK/POWER connector



- LINK connector
- LINK/POWER connector

2) Performance specifications

Item	Specification
Voltage input range	Depends on the connected model (28.8V DC max.).
Max. rated current	5.0A [Use the power adapter in the range in which the total current consumption of each unit does not exceed the maximum rated current while the power is supplied (except the period immediately after the power is turned on).]
Insulation resistance	10MΩ between the external terminals as a whole and the ground terminal by 500V DC megger
External connection method	Supplies power from outside to power adapter: 3 points (M3 screws) on terminal block Communication line/module power supply module Compatible with flat cable dedicated to CC-Link/LT Connector (with 4 pins) dedicated to CC-Link/LT × 2

4. Installation

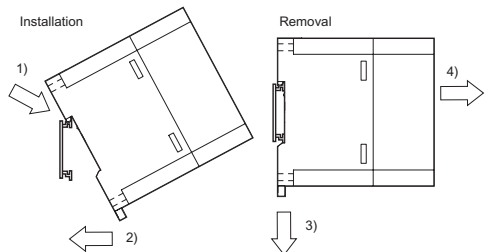
The power adapter can be installed to a DIN rail or directly installed with screws. Each installation procedure is described below.

4.1 Installation direction

Do not install the power adapter on the floor surface, the ceiling surface or in the vertical direction. If the power adapter is installed on such a surface or in such a direction, its temperature may rise. Make sure to install the power adapter on the wall horizontally.

4.2 Installation to DIN rail

Align the upper DIN rail installation groove in the power adapter with the DIN rail 1), and press the power adapter in that status 2). When removing the power adapter, pull downward the hook for installation to DIN rail 3), then remove the power adapter 4).



Applicable DIN rail	TH35-7.5Fe and TH35-7.5Al (conforming to JIS C2812)
---------------------	---

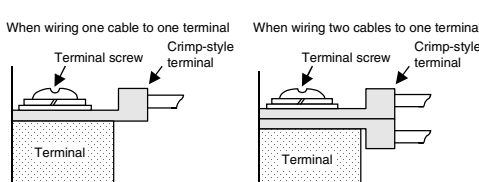
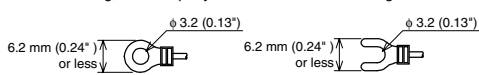
4.3 Direct installation

Screw-tighten the power adapter by tightening M4 screws to the upper and lower mounting holes (two holes in all) provided in the power adapter. Install the module so that the clearance of 1 to 2mm (0.04" to 0.08") is assured for each module.

Applicable screw	M4 × 0.7mm(0.03") × 16mm(0.63") or more (Tightening torque range: 78 to 108 N-cm)
------------------	---

4.4 Crimp-style terminal

For the I/O wiring, use crimp-style terminals of the following dimensions.



5. Construction Cautions

Installation of power adapters

At least one power adapter is required per CC-Link/LT system. When constructing the system using only one power adapter, the following three conditions should be satisfied. If the following two conditions are not satisfied, use of two or more power adapters in constructing the system.

- The current capacity of the power adapter is 5A, therefore, total current consumption should be an equivalent to or less than 5 A.
- In order to operate the system in stable status, the voltage drop should be equivalent to or less than 3.6 V.
- The minimum operating voltage of each module connected to the power adapter is 20.4 V, therefore, supply voltage subtracted by the voltage drop should be equivalent to or more than 20.4 V.

5.1 System power calculation method

5.1.1 Current consumption calculation

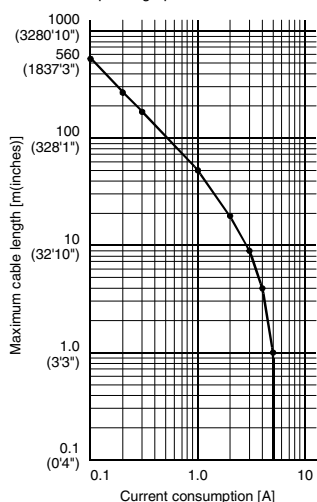
$$\text{Current consumption in CC-Link/LT system} = \text{Total current consumption of each module in CC-Link/LT system} + \text{Total current consumption of I/O equipment (such as sensors) (to which power is supplied via communication cable)*1} \leq 5A$$

*1 Some remote I/O modules for CC-Link/LT supply the power for I/O via the flat cable dedicated to CC-Link/LT. For the details, refer to the instruction manual of each remote I/O module.

5.1.2 Voltage drop

Calculate the voltage drop based on the simplified graph or the calculation formula. (supply voltage: 24V DC, ambient temperature: 20°C)

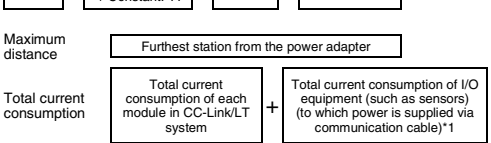
1) Selection based on the simplified graph



One power adapter is allowed within the range shown in the graph above.

2) Selection based on the calculation formula

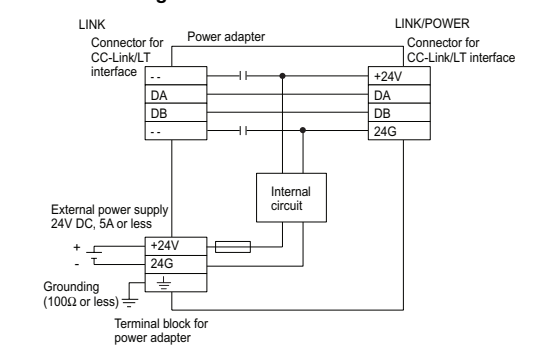
$$\text{Voltage drop (V)} = \frac{\text{Maximum distance (m)}}{\text{Constant: 11}} \times \text{Constant: 0.06} \times \text{Total current consumption (A)} \leq 3.6V$$



*1 Some remote I/O modules for CC-Link/LT supply the power for I/O via the flat cable dedicated to CC-Link/LT. For the details, refer to the instruction manual of each remote I/O module.

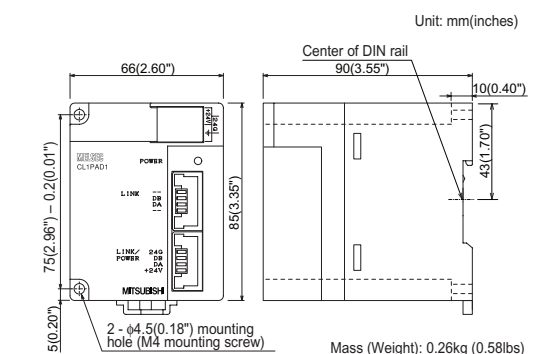
The simplified graph and the calculation formula concerning voltage drop calculations may not be accurate depending on the ambient temperature and the number of used connectors dedicated to CC-Link/LT. If the driving voltage (20.4V) cannot be assured in a used remote I/O module, add another power adapter.

6. Power Wiring



- The external power supply is to be provided by the user.
- Use a proper external power supply with consideration for total current consumption and total initial current of remote I/O modules and I/O equipment (such as sensors) connected to the power adapter.

7. Outside Dimensions



LINK connector: Executes only communication (does not supply power). Used when two or more power adapters are used in the CC-Link/LT system.

LINK/POWER connector: Executes communication, and supplies the power to the CC-Link/LT system.

3. Specifications

1) General specifications

Item	Specification			
Ambient working temperature	0 to 55°C (*1) (32 to 131°F)			
Ambient storage temperature	-25 to 75°C (*1) (-13 to 167°F)			
Ambient operating humidity	Conforming to JIS B3502 and IEC61131-2, Level RH-2 (5 to 95%RH: Dew condensation shall not be allowed.)			
Ambient storage humidity	Conforming to JIS B3502 and IEC61131-2, Level RH-2 (5 to 95%RH: Dew condensation shall not be allowed.)			
Vibration resistance	Intermittent vibration is present	Number of sweep times 10 times in each of X, Y and Z directions (80 min)		
	Frequency: 10 to 57Hz		Acceleration: -	Half amplitude: 0.075mm
	Frequency: 57 to 150Hz		Acceleration: 9.8m/s ²	-
	Frequency: 10 to 57Hz		Acceleration: -	Half amplitude: 0.035mm
Impact resistance	57 to 150Hz	Acceleration: 4.9m/s ²	-	
	Conforming to JIS B3502 and IEC61131-2 (147 m/s ² , 3 times in each of X, Y and Z directions)			
Operating atmosphere	Corrosive gas should not be present.			
Operating altitude	Conforming to JIS B3502 and IEC61131-2 (2,000m(6561'8") or less)(*2)			
Installation place	Inside control panel			
Over-voltage category	Conforming to JIS B3502 and IEC61131-2 (Category II or less)(*3)			
Degree of contamination	Conforming to JIS B3502 and IEC61131-2, Degree of contamination 2 or less (*4)			

*1 The ambient operating/storage temperature satisfies the requirements beyond the specification in JIS B3502 and IEC61131-2.

*2 The module cannot be used in an environment pressurized above the atmospheric pressure which can be generated around the altitude of 0 m. If the module is used in such an environment, it may fail.

*3 It indicates in which wiring area from the public wiring net to the mechanical module inside the site the equipment is assumed to be connected. The category II applies, for example, to equipment whose power is supplied from a fixed facility. The surge-resistant voltage of equipment whose rating is up to 300V is 2,500V.

*4 This index indicates the degree of generation of conductive substances in the environment in which the module is used. The degree of contamination 2 indicates that contamination is caused by generation of only non-conductive substances. In this degree, however, temporary conduction may be caused by accidental condensation.

Warranty

Mitsubishi will not be held liable for damage caused by factors found not to be the cause of Mitsubishi; machine damage or lost profits caused by faults in the Mitsubishi products; damage, secondary damage, accident compensation caused by special factors unpredictable by Mitsubishi; damages to products other than Mitsubishi products; and to other duties.

For safe use

- This product has been manufactured as a general-purpose part for general industries, and has not been designed or manufactured to be incorporated in a device or system used in purposes related to human life.
- Before using the product for special purposes such as nuclear power, electric power, aerospace, medicine or passenger movement vehicles, consult with Mitsubishi.
- This product has been manufactured under strict quality control. However when installing the product where major accidents or losses could occur if the product fails, install appropriate backup or fail-safe functions in the system.

Country/Region	Sales office/Tel	Country/Region	Sales office/Tel
U.S.A.	Mitsubishi Electric Automation Inc. 500 Corporate Woods Parkway Hills, IL 60061 Tel: +1-847-478-2100	China	Ryden International Shanghai Ltd. 3F Block5 Building Automation Instrumentation Plaza 103 Cao Bao Rd. Shanghai 200233 China Tel: +86-21-6475-3228
Brazil	MELCO-TEC Rep. Com. e Assessoria Tecnica Ltda. Av. Rio Branco, 123-15 and S/1507, Rio de Janeiro, RJ CEP 20040-005, Brazil Tel: +55-21-221-8343	Taiwan	Seltayo Enterprise Co., Ltd. 6F, No. 105 Wu-Kung 3rd RD, Wu-Ku Hsiang, Taipei Hsine, Taiwan Tel: +886-2-2299-2499
Germany	Mitsubishi Electric Europe B.V. German Branch Gohar Strasse 8 D-40880 Ratingen, GERMANY Tel: +49-2102-486-0	Korea	HAN NEUNG TECHNO CO. LTD. 1F Dong Seo Game Channel Bldg., 660-11, Deungchon-dong Kangseck-ku, Seoul, Korea Tel: +82-2-9660-9552
UK	Branch Travellers Lane, Hatfield, Herts., AL10 8XB, UK Tel: +44-1707-276100	Singapore	Mitsubishi Electric Asia Pte. Ltd. 307 ALEXANDRA ROAD #05-01/02, MITSUBISHI ELECTRIC BUILDING SINGAPORE 159943 Tel: +65-473-2480
Italy	Mitsubishi Electric Europe B.V. Italian Branch Centro Dir. Colonna, Pal. Perseo - Ingr.2 Via Paracelso 12, 20041 Agrate B., Milano, Italy Tel: +39-039-60531	Thailand	F. A. Tech Co. Ltd. 898/29, 29, 30 S.V. City Building Office Tower 2 Floor 17-18 Rama 3 Road, Bangpongpang, Yanna, Bangkok 10120 Tel: +66-2-682-6522
Spain	Mitsubishi Electric Europe B.V. Spanish Branch Carretera de Rubi 75-80 08190 - Sant Cugat del Valles, Barcelona, Spain Tel: +34-935-653135	Indonesia	P.T. Autoteknikindo SUMBER MAKMUR Jl. Muara Karang Selatan BlockA Utara No. 1 Kav. No.11 Kawasan Industri Pergudangan Jakarta - Utara 14440 Tel: +62-21-463-0833
South Africa	Circuit Breaker Industries LTD. Private Bag 2016, Isando 1600, Johannesburg, South Africa Tel: +27-11-828-2000	India	Messung Systems Pvt.Ltd. Electronic Sadan NO.111 Unit No.15, M.I.D.C. BHOSARI, PUNE-411026 Tel: +91-20-7128927
Hong Kong	Ryden Automation Ltd. 10th Floor, Manulife Tower, 169 Electric Road, North Point, HongKong Tel: +852-2867-8870	Australia	Mitsubishi Electric Australia Pty. Ltd. 349 Victoria Road, Postville, No. 2, Rydalmere, N.S.W. 2116, Australia Tel: +61-2-9684-7777

MITSUBISHI ELECTRIC CORPORATION
 HEAD OFFICE: MITSUBISHI DENKI BLDG MARUNOUCHI TOKYO 100-8310
 HIMEJI WORKS: 840, CHYODA CHO, HIMEJI, JAPAN

When exported from Japan, this manual does not require application to the Ministry of Economy, Trade and Industry for service transaction permission.

Specifications are subject to change without notice