

Side

B

JY997D18501C

Side
A

JAPANESE

Side
B

ENGLISH


MITSUBISHI
Changes for the Better

Emergency Stop Switch Guard

User's Manual

Manual Number	JY997D18501
Revision	C
Date	Sep 2008

GRAPHIC OPERATION TERMINAL



This manual describes the part names, dimensions, mounting, and specifications of the product. Before use, read this manual and manuals of relevant products fully to acquire proficiency in handling and operating the product. Make sure to learn all the product information, safety information, and precautions.

And, store this manual in a safe place so that you can take it out and read it whenever necessary. Always forward it to the end user.

Registration

The company name and the product name to be described in this manual are the registered trademarks or trademarks of each company.

Effective Sep 2008

Specifications are subject to change without notice.

© 2008 Mitsubishi Electric Corporation

Safety Precaution (Read these precautions before using.)

Before using this product, please read this manual and the relevant manuals introduced in this manual carefully and pay full attention to safety to handle the product correctly.

The precautions given in this manual are concerned with this product.

In this manual, the safety precautions are ranked as "DANGER" and "CAUTION".


DANGER

Indicates that incorrect handling may cause hazardous conditions, resulting in death or severe injury.


CAUTION

Indicates that incorrect handling may cause hazardous conditions, resulting in medium or slight personal injury or physical damage.

Depending on circumstances, procedures indicated by "CAUTION" may also be linked to serious results.

In any case, it is important to follow the directions for usage.

DISPOSAL PRECAUTIONS CAUTION

- When disposing of the product, handle it as industrial waste.

MOUNTING PRECAUTIONS DANGER

- Be sure to shut off all phases of the external power supply used by the system before mounting or removing the GOT to/from the panel. Not doing so can cause the unit to fail or malfunction.

Related Manuals

When using the emergency stop switch guard, prepare the following manual as well. As Handy GOT User's Manual is sold separately, inquire at our local distributor for it.

Manual name	Manual Number (Model Code)	Contents
⊙Handy GOT User's Manual	JY997D20101 (sold separately)	Describes the Handy GOT hardware-relevant content such as part names, external dimensions, mounting, power supply wiring, specifications, and introduction to option devices.

⊙: Indispensable manual

For the manuals relevant to GOT1000, refer to the PDF manuals stored in the screen creation software used. For details about a PLC to be connected, refer to the manuals of PLCs respectively.

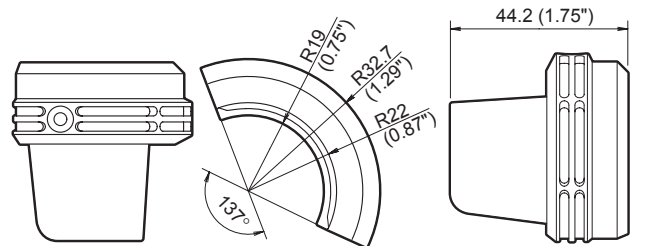
1. Overview

The emergency stop switch guard is attached to prevent the emergency stop switch from being operated incorrectly.

The following emergency stop switch guard is applicable for the Handy GOT.

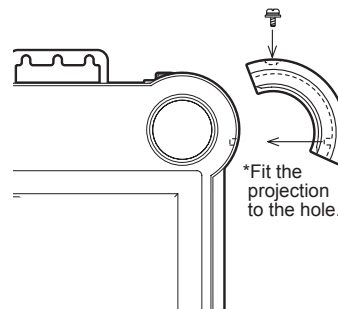
Model name	Contents
GT11H-50ESCOV	mounting screw (M3×6) ×1

2. External Dimensions



Unit:mm (inches)

3. Installation Procedure



- Remove the Handy GOT from the device or turn the entire system power OFF. (Make sure that the device does not operate even if the emergency stop of the Handy GOT is activated while mounting the emergency stop switch guard.)

- Insert the inner lateral projection into the hole of the Handy GOT and fix the cover to GT11H-50ESCOV with the accessory screw (M3×6) at the top.

(Tightening torque: 36 to 48 N·cm)

4. Operating atmosphere

Must be free of lamp black, corrosive gas, flammable gas, or excessive amount of electroconductive dust particles and must be no direct sunlight. (Same as for saving)

General specifications other than the above are same as those of the GOT main unit.

Refer to the following.

→Handy GOT General Description

This manual confers no industrial property rights or any rights of any other kind, nor does it confer any patent licenses. Mitsubishi Electric Corporation cannot be held responsible for any problems involving industrial property rights which may occur as a result of using the contents noted in this manual.

Warranty

Mitsubishi will not be held liable for damage caused by factors found not to be the cause of Mitsubishi; machine damage or lost profits caused by faults in the Mitsubishi products; damage, secondary damage, accident compensation caused by special factors unpredictable by Mitsubishi; damages to products other than Mitsubishi products; and to other duties.

For safe use

- This product has been manufactured as a general-purpose part for general industries, and has not been designed or manufactured to be incorporated in a device or system used in purposes related to human life.
- Before using the product for special purposes such as nuclear power, electric power, aerospace, medicine or passenger movement vehicles, consult with Mitsubishi Electric.
- This product has been manufactured under strict quality control. However when installing the product where major accidents or losses could occur if the product fails, install appropriate backup or failsafe functions in the system.


MITSUBISHI ELECTRIC CORPORATION

HEAD OFFICE : TOKYO BUILDING, 2-7-3 MARUNOUCHI, CHIYODA-KU, TOKYO 100-8310, JAPAN

HIMEJI WORKS : 840, CHIYODA CHO, HIMEJI, JAPAN