

MITSUBISHI

GT15 ATTACHMENT
User's Manual

- GT15-70ATT-98**
- GT15-70ATT-87**
- GT15-60ATT-97**
- GT15-60ATT-96**
- GT15-60ATT-87**
- GT15-60ATT-77**
- GT15-50ATT-95W**
- GT15-50ATT-85**

Thank you for purchasing the GOT1000 Series.

Prior to use, please read both this manual and detailed manual thoroughly to fully understand the product.

MODEL	GT15-ATT-U
MODEL CODE	1D7M02
IB(NA)-0800296-D(0707)MEE	

GRAPHIC OPERATION TERMINAL
GOT1000

ISAFETY PRECAUTIONS

(Always read these precautions before using this equipment.)

Before using this product, please read this manual and the relevant manuals introduced in this manual carefully and pay full attention to safety to handle the product correctly.

The precautions given in this manual are concerned with this product. In this manual, the safety precautions are ranked as "DANGER" and "CAUTION".

DANGER	Indicates that incorrect handling may cause hazardous conditions, resulting in death or severe injury.
CAUTION	Indicates that incorrect handling may cause hazardous conditions, resulting in medium or slight personal injury or physical damage.

Note that the level may lead to a serious accident according to the circumstances. Always follow the precautions of both levels because they are important to personal safety. Please save this manual to make it accessible when required and always forward it to the end user.

[INSTALLATION PRECAUTIONS]

CAUTION

- When mounting the attachment to the control panel, tighten clamp screws in the specified torque range so that it will be securely fixed. Failure to do so may cause the attachment to drop from the control panel.
- When mounting the GOT to the attachment, tighten clamp screws in the range of 0.36 to 0.48N·m so that it will be securely fixed. Loose tightening may cause the GOT to drop from the attachment. Overtightening may damage and drop screws and/or GOT, causing the GOT to drop off, fail or malfunction.

[DISPOSAL PRECAUTIONS]

CAUTION

- Dispose of this product as industrial waste.

Manuals

The following shows manuals relevant to this product.

Detailed Manual
Manual name
GT15 User's Manual
(Option)

Relevant Manuals

For relevant manuals, refer to the PDF manual stored within the drawing software used.

© 2004 MITSUBISHI ELECTRIC CORPORATION

Product Components

The attachment consists of the following items.

Model	Product	Quantity
GT15-70ATT-98	Attachment	1
	Clamp screw (M4x8mm)	4
GT15-70ATT-87	Attachment	1
	Clamp screw (M4x8mm)	4
GT15-60ATT-97	Attachment	1
GT15-60ATT-96	Attachment	1
GT15-60ATT-87	Attachment	1
GT15-60ATT-77	Attachment	1
GT15-50ATT-95W	Attachment	1
GT15-50ATT-85	Attachment	1

1. Overview

This User's Manual describes the GT15 panel fixing attachment (hereafter abbreviated to the attachment). The attachment is used for replacing the A985GOT, A97□GOT, A960GOT, A956WGOT, A870GOT, A85□GOT, and A77GOT with the GOT1000 series. Use of the attachment eliminates the need for the additional machining of the control panel or similar enclosure used with the A97□GOT or A960GOT. There are the following attachment types. Refer to the GT15 User's Manual for the applicable GOT.

Product	Model	Description
Attachment	GT15-70ATT-98	A985GOT ¹ → 10.4" GOT1000
	GT15-70ATT-87	A870GOT-SWS,
		A870GOT-TWS,
		A8GT-70GOT-TW,
		A8GT-70GOT-TB,
	GT15-60ATT-97	A97□GOT
		A960GOT
		A960GOT
		A960GOT
	GT15-70ATT-87	A870GOT-EWS,
A8GT-70GOT-EW,		
A8GT-70GOT-EB,		
A77GOT-EL-S5,		
GT15-60ATT-77	A77GOT-EL-S3,	
	A77GOT-EL	
	A77GOT-CL-S5,	
	A77GOT-CL-S3,C	
GT15-50ATT-95W	A956WGOT	
	A956WGOT	
	A956WGOT	
GT15-50ATT-85	A85□GOT	
	A85□GOT	

*1 The GP250□ and GP260□ manufactured by Digital Electronics Corporation can also be replaced with the 10.4" GOT1000.

2. Specifications

The following table indicates the performance specifications of the attachment. The general specifications of the attachment are the same as those of the GOT. For the general specifications of the GOT, refer to GT15 User's Manual. After replacement using the attachment, the replaced GOT does not comply with IP65 (waterproof, dustproof standards), although compliant with IP4X.

Item	Specifications			
	GT15-70ATT-98	GT15-60ATT-97	GT15-60ATT-96	GT15-70ATT-87
Mounting panel thickness	2 to 3 mm			
Weight	0.29(0.64)	0.40(0.88)	0.24(0.53)	0.12(0.26)

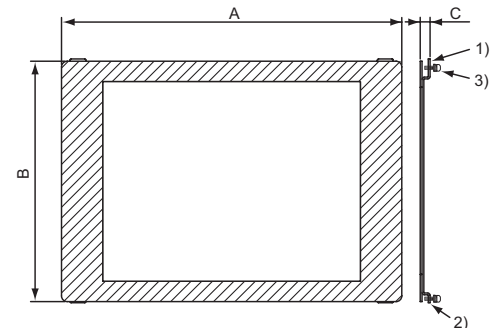
Unit: kg (lb)

Item	Specifications			
	GT15-60ATT-87	GT15-50ATT-85	GT15-50ATT-95W	GT15-60ATT-77
Mounting panel thickness	2 to 3 mm			
Weight	0.25(0.55)	0.11(0.24)	0.17(0.37)	0.34(0.75)

Unit: kg (lb)

3. Part Names and External Dimensions

(1) GT15-70ATT-98, GT15-60ATT-97, GT15-60ATT-96, GT15-60ATT-87, GT15-60ATT-77

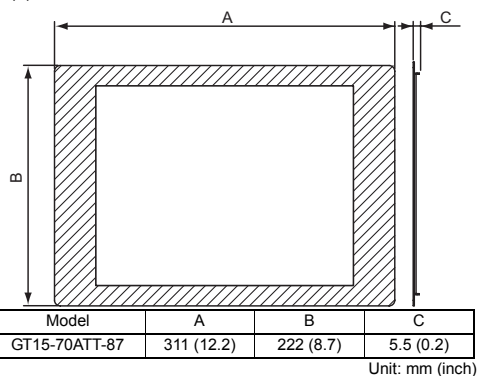


Model name	A	B	C
GT15-70ATT-98	314 (12.4)	240 (9.4)	8.5 (0.3)
GT15-60ATT-97	300 (11.8)	212 (8.3)	8.5 (0.3)
GT15-60ATT-96	270 (10.6)	195 (7.7)	8.5 (0.3)
GT15-60ATT-87	278 (10.9)	195 (7.7)	8.5 (0.3)
GT15-60ATT-77	313 (12.3)	195 (7.7)	8.5 (0.3)

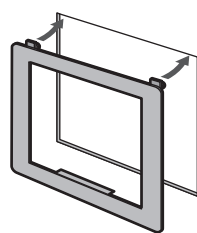
Unit: mm (inch)

No.	Name	Description
1	Upper hook	Hook for hanging the attachment on the control panel upper part.
2	Lower hook	Hook for hanging the attachment on the control panel lower part.
3	Clamp screw	Screw for fixing the attachment to the control panel (M4x8mm)

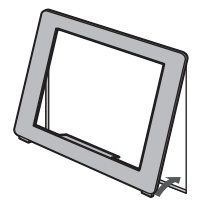
(2) GT15-70ATT-87



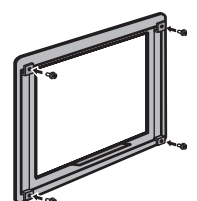
2) Hang the two upper hooks on the upper part over the mounting holes in the control panel. Refer to the figure shown in 1).



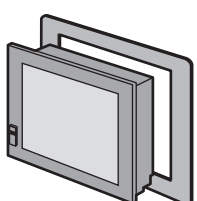
3) While lifting the attachment upward, hang the two lower hooks on the lower part of the control panel.



4) Fix the attachment to the control panel with four clamp screws in the torque range of 0.2 to 0.28N·m.



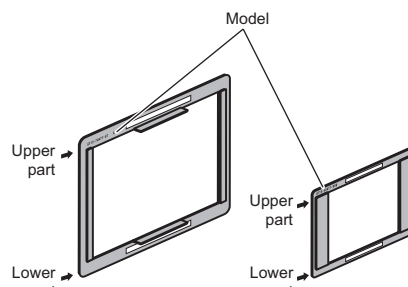
5) Place the GOT into the attachment from the front, and fix it by tightening the mounting screws included with the GOT in the torque range of 0.36 to 0.48N·m.



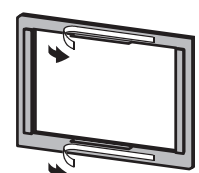
(2) GT15-70ATT-87, GT15-50ATT-95W, GT15-50ATT-85

The following figures show an example of the GT15-70ATT-87 installation. Follow the same procedure for installing the other models.

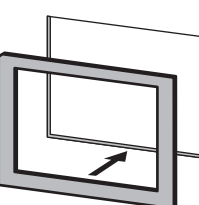
- 1) The model is indicated on the attachment. The position of the model indication does not affect the performance of the attachment. (Example of model indication)



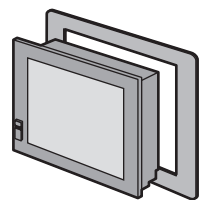
2) Remove two-sided tapes from the rear face of the attachment.



3) Fix the attachment to fit the mounting hole on the control panel. If the control panel is dirty, the attachment might fall, causing an injury. Wipe the control panel, and then install the attachment.



4) Place the GOT into the attachment from the front, and fix it by tightening the mounting screws included with the GOT in the torque range of 0.36 to 0.48N·m.

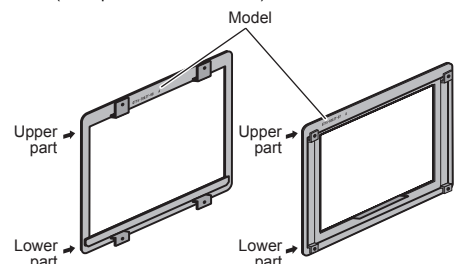


4. Installation Procedure

(1) GT15-70ATT-98, GT15-60ATT-97, GT15-60ATT-96, GT15-60ATT-87, GT15-60ATT-77

The following figures show an example of the GT15-60ATT-97 installation. Follow the same procedure for installing the other models.

- 1) The model is indicated on the attachment. The upper part of the attachment has the model indication. (Example of model indication)



Warranty

Mitsubishi will not be held liable for damage caused by factors found not to be the cause of Mitsubishi; machine damage or lost profits caused by faults in the Mitsubishi products; damage, secondary damage, accident compensation caused by special factors unpredictable by Mitsubishi; damages to products other than Mitsubishi products; and to other duties.

For safe use

- This product has been manufactured as a general-purpose part for general industries, and has not been designed or manufactured to be incorporated in a device or system used in purposes related to human life.
- Before using the product for special purposes such as nuclear power, electric power, aerospace, medicine or passenger movement vehicles, consult with Mitsubishi.
- This product has been manufactured under strict quality control. However, when installing the product where major accidents or losses could occur if the product fails, install appropriate backup or failsafe functions in the system.

Country/Region Sales office/Tel

U.S.A Mitsubishi Electric Automation Inc.
500 Corporate Woods Parkway Vernon Hills, IL 60061, U.S.A.
Tel : +1-847-478-2100

Brazil MELCO-TEC Rep. Com. e Assessoria Tecnica Ltda.
Rua Correia Dias, 184, Edifício Paraiso Trade Center-8 andar
Paraiso, Sao Paulo, SP Brazil
Tel : +55-11-5908-8331

Germany Mitsubishi Electric Europe B.V. German Branch
Golthaer Strasse 9 D-40880 Ratingen, GERMANY
Tel : +49-2102-486-0

U.K Mitsubishi Electric Europe B.V. UK Branch
Travellers Lane, Hatfield, Hertfordshire, AL10 8XB, U.K.
Tel : +44-1707-276100

Italy Mitsubishi Electric Europe B.V. Italian Branch
Centro Dir. Colleoni, Pal. Perseo-Ingr.2
Via Paracelso 12, I-20041 Agrate Brianza, Milano, Italy
Tel : +39-039-60531

Spain Mitsubishi Electric Europe B.V. Spanish Branch
Carretera de Rubi 76-80,
E-08190 Sant Cugat del Valles, Barcelona, Spain
Tel : +34-93-565-3131

France Mitsubishi Electric Europe B.V. French Branch
25, Boulevard des Bouvets, F-92741 Nanterre Cedex, France
TEL : +33-1-5568-5568

South Africa Circuit Breaker Industries Ltd.
Private Bag 2016, ZA-1600 Isando, South Africa
Tel : +27-11-828-2000

Hong Kong Mitsubishi Electric Automation (Hong Kong) Ltd.
10th Floor, Manulife Tower, 169 Electric
Road, North Point, Hong Kong
Tel : +86-21-8120-0808

China Mitsubishi Electric Automation (Shanghai) Ltd.
4/F Zhi Fu Plaza, No.80 Xin Chang Road,
Shanghai 200003, China
Tel : +86-21-6120-0808

Taiwan Selsuyo Enterprise Co., Ltd.
6F No.105 Wu-Kung 3rd.Rd, Wu-Ku Hsiang,
Taipei Hsine, Taiwan
Tel : +886-2-2299-2499

Korea Mitsubishi Electric Automation Korea Co., Ltd.
1480-5, Gayang-dong, Gangseo-ku Seoul
157-200, Korea
Tel : +82-2-3660-9552

Singapore Mitsubishi Electric Asia Pte. Ltd.
307 Alexandra Road #05-01/02,
Mitsubishi Electric Building, Singapore 159943
Tel : +65-6470-2460

Thailand Mitsubishi Electric Automation (Thailand) Co., Ltd.
Bang-Chan Industrial Estate No.111 Moo 4, Serithai Rd,
T.Kannayao, A.Kannayao, Bangkok 10230 Thailand
Tel : +66-2-517-1326

Indonesia P.T. Autoteknikdo Sumber Makmur
Muara Karang Selatan, Blok A/Utara
No.1 Kav. No.11 Kawasan Industri Pergudangan
Jakarta - Utara 14440, P.O.Box 5045 Jakarta, 11050 Indonesia
Tel : +62-21-6830833

India Messung Systems Pvt. Ltd.
Electronic Sadan NO-III Unit No15, M.I.D.C Bhosari,
Pune-411026, India
Tel : +91-20-2712-3130

Australia Mitsubishi Electric Australia Pty. Ltd.
348 Victoria Road, Rydalmere, N.S.W 2116, Australia
Tel : +61-2-9684-7777

MITSUBISHI ELECTRIC CORPORATION

HEAD OFFICE : TOKYO BUILDING, 2-7-3 MARUNOUCHI, CHYODA-KU, TOKYO 100-8310, JAPAN
NAGOYA WORKS : 1-14, YADA-MINAMI 5-CHOME, HIGASHI-KU, NAGOYA, JAPAN

When exported from Japan, this manual does not require application to the Ministry of Economy, Trade and Industry for service transaction permission.
Specifications subject to change without notice.
Printed in Japan on recycled paper.