

## FX<sub>0N</sub> Series Special Adapter Connection Board FX<sub>1N</sub>-CNV-BD

The FX<sub>0N</sub> Series special adapter connection board FX<sub>1N</sub>-CNV-BD is a function expansion board to connect an FX<sub>0N</sub> Series special adapter to the FX<sub>1S</sub>/FX<sub>1N</sub> Series PLC basic unit.

For the specifications and handling, refer to the handy manual offered with the FX<sub>1S</sub>/FX<sub>1N</sub> Series PLC basic unit.

### Product configuration

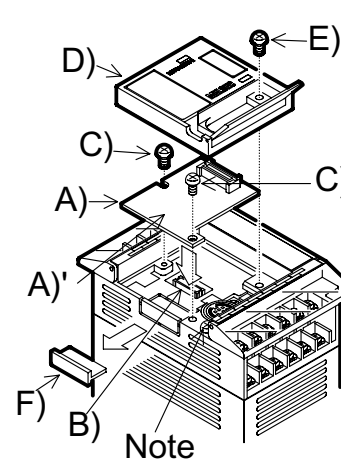
Main unit:	FX <sub>1N</sub> -CNV-BD	
Accessories:	Top cover for board	1
	Tapping screw M3 to mount board	2
	Tapping screw M3 to fix top cover	1

### Applicable model

FX<sub>1S</sub>/FX<sub>1N</sub> Series

### <FX<sub>1N</sub>-CNV-BD installation procedure>

Make sure to turn off the power before installing the FX<sub>1N</sub>-CNV-BD.



- A) Connection board FX<sub>1N</sub>-CNV-BD (function expansion board)
- B) Connector for optional equipment
- C) Tapping screw M3 to fix board (2 pieces) (offered as accessories of board)
- D) Top cover for board (offered as an accessory of board)
- E) Tapping screw M3 to fix top cover (offered as an accessory of board)
- F) Resin cover

Note: This screw cannot be removed.

- Remove the resin cover F) from the left side of the basic unit. When the resin cover is removed, wiring PCBs and electronic parts inside the PLC can be seen. Pay rigid attention when removing the resin cover.
- Connect the connection board A) to the connector for optional equipment B).
- Fix the board to the basic unit with two tapping screws to fix board C). (Tightening torque: 0.3 to 0.6 N·m)
- Remove the top cover of the basic unit, and attach the top cover for board D) instead.
- Fix the top cover with the tapping screw to fix top cover E). (Tightening torque: 0.3 to 0.6 N·m)
- Connect the cable of an FX<sub>0N</sub> Series special adapter to A)' provided on the left side of the board.

**Date: March 2000**

**JY992D84701B**

© Mitsubishi Electric