

MITSUBISHI

GT15 Serial communication unit

User's Manual

GT15-RS2-9P
GT15-RS4-9S
GT15-RS4-TE

Thank you for purchasing the GOT1000 Series.

Prior to use, please read both this manual and detailed manual thoroughly to fully understand the product.

MODEL	GT15-RS2/4-U
MODEL CODE	1D7M40
IB(NA)-0800325-E(0707)MEE	

GRAPHIC OPERATION TERMINAL
GOT1000

SAFETY PRECAUTIONS

(Always read these precautions before using this equipment.)

Before using this product, please read this manual and the relevant manuals introduced in this manual carefully and pay full attention to safety to handle the product correctly.

The precautions given in this manual are concerned with this product.

In this manual, the safety precautions are ranked as "DANGER" and "CAUTION".

DANGER

Indicates that incorrect handling may cause hazardous conditions, resulting in death or severe injury.

CAUTION

Indicates that incorrect handling may cause hazardous conditions, resulting in medium or slight personal injury or physical damage.

Note that the CAUTION level may lead to a serious accident according to the circumstances.

Always follow the precautions of both levels because they are important to personal safety.

Please save this manual to make it accessible when required and always forward it to the end user.

DESIGN PRECAUTIONS

DANGER

- Do not bunch the control wires or communication cables with the main circuit or power wires, or lay them close to each other. As a guide, separate the lines by a distance of at least 100 mm (3.94 inch) otherwise malfunctions may occur due to noise.

INSTALLATION PRECAUTIONS

DANGER

- Be sure to shut off all phases of the external power supply used by the system before mounting or removing this unit to/from the GOT. Not doing so can cause a unit failure or malfunction.
- Before connecting the Bus connection cable to this unit, always shut off GOT power and PLC CPU power externally in all phases. Not doing so can cause a malfunction.

CAUTION

- Use this unit in the environment given in the general specifications of GT15 User's Manual. Not doing so can cause an electric shock, fire, malfunction or product damage or deterioration.
- When installing this unit to the GOT, fit it to the connection interface of the GOT and tighten the mounting screws in the specified torque range. Undertightening can cause a drop, failure or malfunction. Overtightening can cause a drop, failure or malfunction due to screw or unit damage.

WIRING PRECAUTIONS

DANGER

- Be sure to shut off all phases of the external power supply used by the system before wiring. Failure to do so may result in an electric shock, product damage or malfunctions.

CAUTION

- Use crimp-contact, pressure-displacement or soldering to wire the connectors for external connections properly using the manufacturer-specified tools. If the connection is incomplete, it may cause the module to short circuit, catch fire, or malfunction.
- Connect the connectors to the unit securely.
- Always secure the cables connected to the unit, e.g. run them in conduits or clamp them. Not doing so can cause unit or cable damage due to dangling, moved or accidentally pulled cables or can cause a malfunction due to a cable contact fault.

STARTUP AND MAINTENANCE PRECAUTIONS

DANGER

- Before starting cleaning, always shut off GOT power externally in all phases. Not doing so can cause a unit failure or malfunction.

CAUTION

- Do not disassemble or modify any unit. This will cause failure, malfunction, injuries, or fire.
- Do not touch the conductive areas and electronic parts of this unit directly. Doing so can cause a unit malfunction or failure.
- Exercise care to avoid foreign matter such as chips and wire offcuts entering the unit. Not doing so can cause a fire, failure or malfunction.
- Do not hold the cable part when unplugging any cable connected to the unit. Doing so can cause unit or cable damage or a malfunction due to a cable contact fault.
- Always make sure to touch the grounded metal to discharge the electricity charged in the body, etc., before touching the unit. Failure to do so may cause a failure or malfunctions of the unit.

DISPOSAL PRECAUTIONS

CAUTION

- Dispose of this product as industrial waste.

TRANSPORTATION PRECAUTIONS

CAUTION

- Make sure to transport the GOT main unit and/or relevant unit(s) in the manner they will not be exposed to the impact exceeding the impact resistance described in the general specifications of GT15 User's Manual, as they are precision devices. Failure to do so may cause the unit to fail. Check if the unit operates correctly after transportation.

Manuals

The following shows manuals relevant to this product.

Detailed Manual

Manual name	Manual Number (Model code)
GT15 User's Manual (Sold separately)	SH-080528ENG (1D7M23)
GOT1000 Series Connection Manual (Sold separately)	SH-080532ENG (1D7M26)

Relevant Manuals

For relevant manuals, refer to the PDF manual stored within the drawing software used.

© 2005 MITSUBISHI ELECTRIC CORPORATION

Compliance with the EMC and Low Voltage Directives

When incorporating the Mitsubishi GOT into other machinery or equipment and keeping compliance with the EMC and low voltage directives, refer to "EMC AND LOW VOLTAGE DIRECTIVE" of GT15 User's Manual. The CE logo is printed on the rating plate of the GOT, indicating compliance with the EMC and low voltage directives.

Packing List

The following items are included.

Model	Product	Quantity
GT15-RS2-9P	RS-232 serial communication unit	1
	Mounting screw set (2 screws, 2 stickers)	1
GT15-RS4-9S	RS-422/485 serial communication unit	1
	Mounting screw set (2 screws, 2 stickers)	1
GT15-RS4-TE	Ferrite Core*	1
	RS-422/485 serial communication unit	1
	Mounting screw set (2 screws, 2 stickers)	1
	Terminal block socket	1

* For handling of the ferrite core, refer to "For users intending to connect the GOT directly to a PLC using the RS-422 cable (GT01-C30R4-25P)" provided with the product.

1. Overview

This User's Manual describes the GT15 Serial communication unit. (hereinafter abbreviated as serial communication unit) The serial communication unit is used when performing the serial communication between GOT and a FA device. For attachable GOTs, refer to GT15 User's Manual.

2. Specifications

2.1 Performance Specifications

The performance specifications of the serial communication unit are indicated below.

The general specifications of the serial communication unit are the same as those of the GOT.

Refer to GT15 User's Manual for the general specifications of the GOT.

Item	Specification		
	GT15-RS2-9P	GT15-RS4-9S	GT15-RS4-TE
Transmission method	RS-232 compliant	RS-422/485 compliant	RS-422/485 compliant
Interface	D-sub 9-pin (Male)	D-sub 9-pin (Female)	Terminal block
Connector	DDK make (17LE-23090-27(D3CC))	DDK make (17LE-13090-27(D3AC))	-
Transmission speed	115200/57600/38400/19200/9600/4800bps		
Synchronous type	Non-Synchronous type (Asynchronous type)		
Error detection method	Parity check, sum check		
Maximum transmission distance	15m	1200m*	1200*
Internal current consumption (5VDC)	0.29A	0.33A	0.3A
Weight	0.09kg (0.20lb)		

* The maximum transmission distance differs depending on the controller connected. For details, refer to GOT1000 Series Connection Manual.

Select a serial communication unit according to the connection type.

When using the serial communication, make the communication settings to perform communication between the GOT and PLC. For the details of connection types, refer to GOT1000 Series Connection Manual.

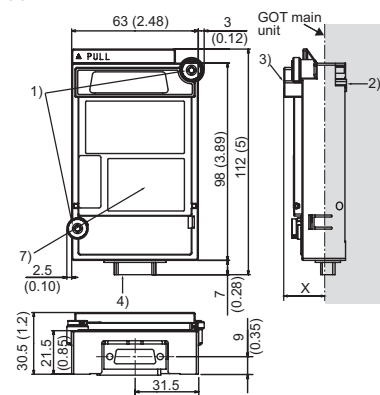
When using serial communication unit, use a standard monitor OS and communication driver of GT Designer2 Version2.15R or later. With a standard monitor OS and communication driver of an older version, the GOT has cannot recognize the unit to perform monitoring.

2.2 Specifications of terminal block socket (For GT15-RS4-TE only)

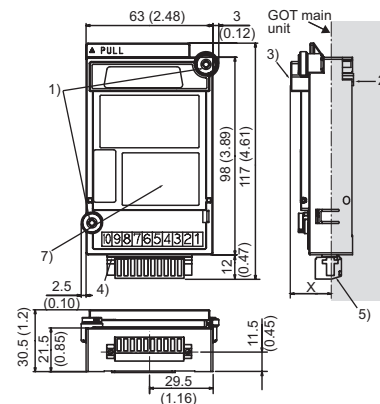
Item	Specifications
Screw tightening torque	0.20 to 0.25 [N·m]
Recommended driver	DIN 5265: ISO 2380/2 compliant product DIN 5264: Product with the tip chrome-plated based on the ISO 2380/1 standard
Applicable wire size	0.08 to 1.5 [mm ²]

3. Part Names and External Dimensions

(1) GT15-RS2-9P / PS4-9S



(2) GT15-RS4-TE

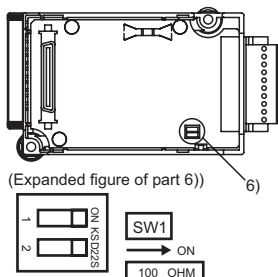


Dimensions of X when the serial communication unit is mounted to the GOT

15", 10.4"	21 (0.83)
12.1"	18 (0.71)
8.4", 5.7"	23 (0.91)

Unit: mm (inch)

(3) Back view (GT15-RS4-9S / TE)



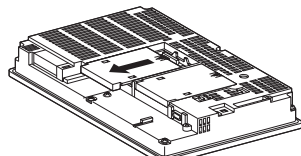
No.	Name	Description
1)	Mounting screw	Mounting screws fixed with a front extension unit or GOT
2)	Interface connector	Extension connector installed to a front extension unit or the GOT
3)	Extension connector	Extension connector to which a back extension unit is installed
4)	Serial communication connector	Connector for connecting a serial communication cable (For GT15-RS4-TE, the terminal block socket is connected.)
5)	Terminal block socket	Socket for connecting a serial communication cable to the serial communication connector
6)	DIP switch (For GT15-RS4-9S/TE only)	Switch to set terminating resistor. When using the built-in terminating resistor (100Ω), turn both No. 1 and No. 2 switches on. When using the external terminating resistor, turn both No. 1 and No. 2 switches off.
7)	Rating plate	-

4. Installation Procedure

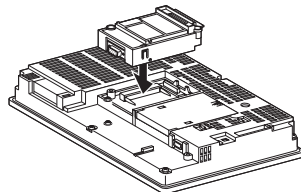
4.1 Serial communication unit installation

The following figures show an example of the GT15-RS2-9P/RS4-9S installation. The installation of the GT15-RS4-TE follows the same procedure.

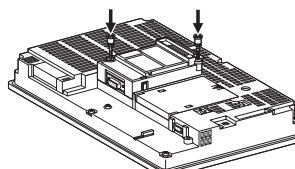
- Power off the GOT.
- Remove one extension unit cover of the GOT.



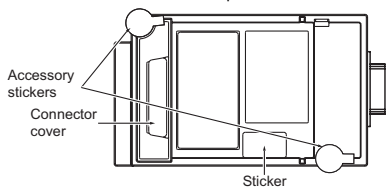
- Fit the serial communication unit in the GOT case.



- Fasten the serial communication unit by tightening its mounting screws (2 places) with tightening torque 0.36 to 0.48 N·m.



- When installing an extension unit on the unit that has been installed, remove the connector cover and the sticker. When not installing an extension unit on the unit that has been installed, in order to avoid receiving electrostatic, stick accessory stickers to cover the top of mounting screws (2 places). Keep the connector cover fixed. Keep the sticker stuck as it is.

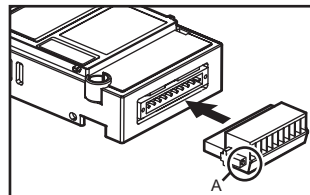


Point

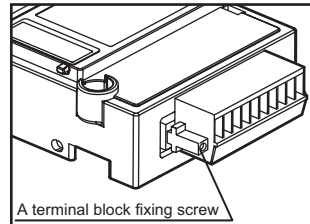
If you remove the serial communication unit, detach it from specified direction (shown PULL) so as not to break a connector.

4.2 Terminal block socket installation (For GT15-RS4-TE only)

- Insert the terminal block socket in the serial communication unit.



- Fasten the terminal block by tightening the terminal block fixing screws (2 places) with the tightening torque of 0.20 to 0.25 N·m. (Expanded figure of part A)



Point

When attaching or removing a communication cable to/from the terminal block socket, detach the terminal block socket from the connector. (When extension units are installed in multiple layers, the units do not have to be removed from the GOT main unit.)

Warranty

Mitsubishi will not be held liable for damage caused by factors found not to be the cause of Mitsubishi; machine damage or lost profits caused by faults in the Mitsubishi products; damage, secondary damage, accident compensation caused by special factors unpredictable by Mitsubishi; damages to products other than Mitsubishi products; and to other duties.

For safe use

- This product has been manufactured as a general-purpose part for general industries, and has not been designed or manufactured to be incorporated in a device or system used in purposes related to human life.
- Before using the product for special purposes such as nuclear power, electric power, aerospace, medicine or passenger movement vehicles, consult with Mitsubishi.
- This product has been manufactured under strict quality control. However, when installing the product where major accidents or losses could occur if the product fails, install appropriate backup or failsafe functions in the system.

Country/Region Sales office/Tel

U.S.A	Mitsubishi Electric Automation Inc. 500 Corporate Woods Parkway Vernon Hills, IL 60061, U.S.A. Tel : +1-847-478-2100
Brazil	MELCO-TEC Rep. Com.e Assessoria Tecnica Ltda. Rua Correia Dias, 184, Edifício Paraiso Trade Center-8 andar Paraiso, Sao Paulo, SP Brazil Tel : +55-11-5908-8331
Germany	Mitsubishi Electric Europe B.V. German Branch Golthaer Strasse 8 D-40880 Ratingen, GERMANY Tel : +49-2102-486-0
U.K	Mitsubishi Electric Europe B.V. UK Branch Travellers Lane, Hatfield, Hertfordshire, AL10 8XB, U.K. Tel : +44-1707-276100
Italy	Mitsubishi Electric Europe B.V. Italian Branch Centro Dir. Colloeni, Pal. Perseo-Ing.2 Via Paracelso 12, I-20041 Agrate Brianza, Milano, Italy Tel : +39-039-60531
Spain	Mitsubishi Electric Europe B.V. Spanish Branch Carretera de Rubi 76-80, E-08190 Sant Cugat del Valles, Barcelona, Spain Tel : +34-93-565-3131
France	Mitsubishi Electric Europe B.V. French Branch 25, Boulevard des Bouvets, F-92741 Nanterre Cedex, France TEL : +33-1-5568-5568
South Africa	Circuit Breaker Industries Ltd. Private Bag 2016, ZA-1600 Isando, South Africa Tel : +27-11-928-2000
Hong Kong	Mitsubishi Electric Automation (Hong Kong) Ltd. 10th Floor, Manulife Tower, 169 Electric Road, North Point, Hong Kong Tel : +852-2887-8870
China	Mitsubishi Electric Automation (Shanghai) Ltd. 4/F Zhi Fu Plaza, No.80 Xin Chang Road, Shanghai 200003, China Tel : +86-21-6120-0808
Taiwan	Setsuyo Enterprise Co., Ltd. 6F No.105 Wu-Kung 3rd.Rd, Wu-Ku Hsiang, Taipei Hsiue, Taiwan Tel : +886-2-2299-2499
Korea	Mitsubishi Electric Automation Korea Co., Ltd. 1480-6, Gayang-dong, Gangseo-ku Seoul 157-200, Korea Tel : +82-2-3660-9552
Singapore	Mitsubishi Electric Asia Pte. Ltd. 307 Alexandra Road #05-01/02, Mitsubishi Electric Building, Singapore 159943 Tel : +65-6470-2460
Thailand	Mitsubishi Electric Automation (Thailand) Co., Ltd. Bang-Chan Industrial Estate No.111 Moo 4, Serithai Rd, T.Kannayao, A.Kannayao, Bangkok 10230 Thailand Tel : +62-21-517-1326
Indonesia	P.T. Autoteknikdo Sumber Makmur Muara Karang Selatan, Block A/Utara No.1 Kav. No.11 Kawasan Industri Pergudangan Jakarta - Utara 14440, P.O.Box 5045 Jakarta, 11050 Indonesia Tel : +62-21-6830833
India	Messung Systems Pvt. Ltd. Electronic Sadan NO-III Unit No15, M.I.D.C Bhosari, Pune-411026, India Tel : +91-20-2712-3130
Australia	Mitsubishi Electric Australia Pty. Ltd. 348 Victoria Road, Rydalmere, N.S.W 2116, Australia Tel : +61-2-9684-7777

MITSUBISHI ELECTRIC CORPORATION
HEAD OFFICE : TOKYO BUILDING, 2-7-3 MARUNOUCHI, CHYODA-KU, TOKYO 100-8310, JAPAN
NAGOYA WORKS : 1-14, YADA-MINAMI 5-CHOME, HIGASHI-KU, NAGOYA, JAPAN

When exported from Japan, this manual does not require application to the Ministry of Economy, Trade and Industry for service transaction permission.

Specifications subject to change without notice.
Printed in Japan on recycled paper.