

# GOT-F900

F930GOT Series (F93\*GOT-BWD-E)

## Installation Manual

JY992D95701D

This manual contains text, diagrams and explanations which will guide the reader in the correct installation, safe use and operation of the F93\*GOT-BWD-E and should be read and understood before attempting to install or use the unit. Further information can be found in the associated manuals list below. Specifications are subject to change without notice

### Guidelines for the Safety of the User and Protection of the F930GOT-BWD-E

This manual has been written to be used by trained and competent personnel. The definition of such a person or persons is as follows:

- Any engineer using the product associated with this manual, should be of a competent nature, trained and qualified to the local and national standards. These engineers should be fully aware of all aspects of safety with regards to automated equipment.
- Any commissioning or service engineer must be of a competent nature, trained and qualified to the local and national standards.
- All operators of the completed equipment should be trained to use that product in a safe and co-ordinated manner in compliance to established safety practices.

**Note:** The term 'completed equipment' refers to a third party constructed device which contains or uses the product associated with this manual.

#### Note's on the Symbols Used in this Manual

At various times through out this manual certain symbols will be used to highlight points of information which are intended to ensure the users personal safety and protect the integrity of equipment.



- Indicates that the identified danger **WILL** cause physical and property damage.



- Indicates that the identified danger could **POSSIBLY** cause physical and property damage.

- Under no circumstances will Mitsubishi Electric be liable or responsible for any consequential damage that may arise as a result of the installation or use of this equipment.
- All examples and diagrams shown in this manual are intended only as an aid to understanding the text, not to guarantee operation. Mitsubishi Electric will accept no responsibility for actual use of the product based on these illustrative examples.
- Owing to the very great variety in possible application of this equipment, you must satisfy yourself as to its suitability for your specific application.

#### Associated Manuals

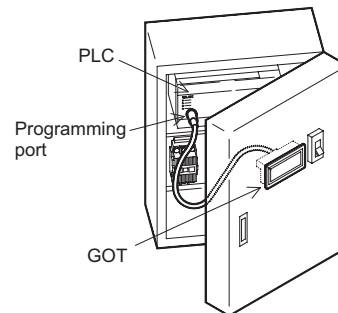
Manual Name	Manual Number	Description
F930GOT Series (F93*GOT-BWD-E) Installation Manual	JY997D95701	Describes the specifications, wiring, and installation of F930GOT Series graphic operation terminal. (hardware)
GOT-F900 OPERATION MANUAL (describes GT Designer2)	JY997D09101 (separate volume)	Describes the operation and use of the GOT-F900 Series graphic operation terminals and GT Designer2.
GOT-F900 Series Operation Manual	JY992D94701 (separate volume)	Describes the operation and use of the GOT-F900 Series graphic operation terminals, GT Designer and FX-PCS-DU/WIN-E.
GOT-F900 Series Hardware Manual (connection diagram)	JY992D94801 (separate volume)	Describes wiring and installation of the GOT-F900 Series graphic operation terminals.
GT Designer2 Version1 Operating Manual	(PDF files on CD-ROM included with product)	Describes the operation of GT Designer2 (SW*D5C-GTD2-E) and data transfer to the GOT-900 Series.
GT Designer2 Version1 Reference Manual	(PDF files on CD-ROM included with product)	Describes the specifications and setting of object functions in GT Designer2 (SW*D5C-GTD2-E).
GT Designer Operating Manual	Included with the screen creation software	Describes the operation of GT Designer (SW*D5C-GOTR-PACKE) and data transfer to the GOT-900 Series. (Refer to the help file)
FX-PCS-DU/WIN-E SOFTWARE MANUAL	JY992D68301 (included with the screen creation software)	Describes the operation of FX-PCS-DU/WIN-E screen creation software.

- Indispensable manual
- Either manual is necessary.

Refer to the Programming manual (II) or relevant hardware manuals for details concerning the applicable PLC.

## 1. Introduction

The F930GOT-BWD-E (hereafter called "GOT or F930GOT") is to be mounted on the face of a control panel or operations panel, and connected to the programming port (CPU port) or the communication port (communication port) of a PLC. Various devices can be monitored and PLC data changed via the GOT screens. Several display screens are built-in to the GOT, and additional personalized screens can be created by the user.



- The GOT can connect to MELSEC FX, A, QnA and Q PLCs as well as a host of third party manufactured units. Further information can be found in GOT-F900 Series Hardware Manual.
- PLC user programs can be downloaded, uploaded and monitored using programming software GX-Developer or FX-PCS/WIN-E on a personal computer via the GOT. Further information can be found in the GOT-F900 Series Operation Manual.
- Display screens are created using the following software.

Software Name	Version
GT Designer2 SWD5C-GTD2-E (□ indicates version)	GOT-F900 and GOT-A900 Series (for Windows) screen creation software.
GT Designer SWD5C-GOTR-PACKE (□ indicates version)	GOT-F900 and GOT-A900 Series (for Windows) screen creation software. SW1-H edition of SW1D5C-GOTR-PACKE or later
FX-PCS-DU/WIN-E	GOT-F900 Series (for Windows) screen creation software. SW0PC-FXDU/WIN-E version 2.20 or later

### 1.1 Product Lists

Production Name	Description
F930GOT-BWD-E	Graphic operation terminal main unit
FX-50DU-CAB0	Communication cable (GOT ↔ CPU port in FX0, FX0S, FX1S, FX0N, FX1N, FX2N or FX2NC series PLC) The connector on the GOT side is wired straight. Cable length is 3m (9' 10").
FX-50DU-CAB0/EN	Communication cable (GOT ↔ CPU port in FX0, FX0S, FX1S, FX0N, FX1N, FX2N or FX2NC series PLC) The connector on the GOT side is wired straight. Cable length is 3m (9' 10").
FX-50DU-CAB0-**M	Communication cable (GOT ↔ CPU port in FX0, FX0S, FX1S, FX0N, FX1N, FX2N or FX2NC series PLC) The connector on the GOT side is wired straight. ** M is cable length. 1M: 1m (3' 3"), 10M: 10m (32' 9"), 20M: 20m (65' 7"), 30M: 30m (98' 5")
FX-40DU-CAB	Communication cable (GOT ↔ CPU port in FX, FX2C, A or QnA series PLC) The connector on the GOT side is wired straight. Cable length is 3m (9' 10").
FX-40DU-CAB-**M	Communication cable (GOT ↔ CPU port in FX, FX2C, A or QnA series PLC) The connector on the GOT side is wired straight. ** M is cable length. 10M: 10m (32' 9"), 20M: 20m (65' 7"), 30M: 30m (98' 5")
QC30R2	Communication cable (GOT ↔ CPU port in Q series PLC) The connector on the GOT side is wired straight. Cable length is 3m (9' 10").
FX-232CAB-1	Data exchange cable (GOT ↔ Personal computer <9-pin D-sub>)
FX2NC-32BL	Battery for Alarm history and current time data retention.
F9GT-30PSC	Transparent protection sheet for F930GOT (5 pieces)
F9GT-30LTB	Backlight for F930GOT



#### Caution

During abnormal communication (including cable breakages) when monitor is executed within the GOT, communication between the GOT and programmable controller CPU is interrupted. It is then impossible to operate switches or devices in the PLC through the GOT. Communication and normal operation resumes when the GOT system is correctly configured. DO NOT configure emergency stop or safety features to operate through the GOT, and be sure that there is no adverse consequences in the event of a GOT - PLC communications malfunction.



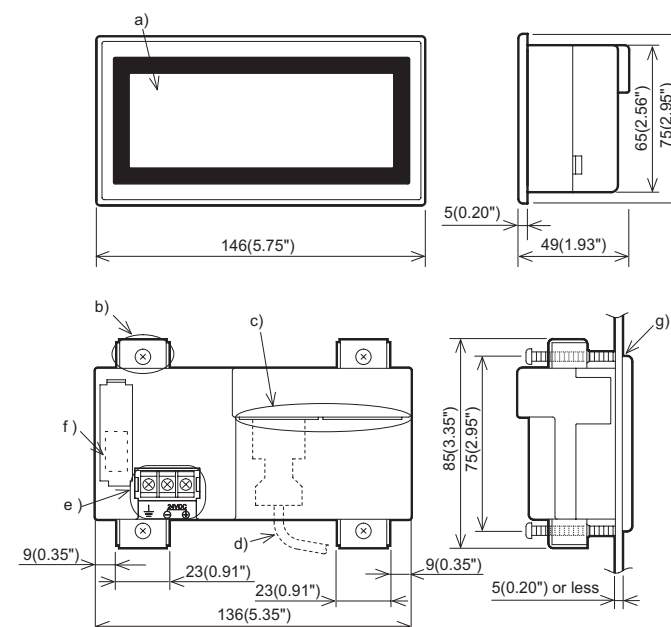
#### Note:

- Do not lay signal cables near high voltage power cables or allow them to share the same trunking duct, otherwise, effects of noise or surge induction are likely to take place. Keep a safe distance of more than 100 mm from these wires.
- Operate touch switches on the display screen by hand. DO NOT use excessive force, or attempt operate them with hard or pointed objects. The tip of a screw driver, pen or similar object for example may break the screen.

## 1.2 Dimensions and Each Part Name

Dimensions: mm (inches) MASS (Weight): 0.3 kg (0.66 lbs)

Accessory: Mounting brackets, Tightening bolt (M3, 4 bolts), Packing seal for dust and water resistance



- Display
- Mounting bracket and tightening bolt
- Communication ports

Port	Description
RS-422	RS-422 port for connecting PLC (including 1:N connection) or communication (computer link) unit <9-pin D-sub>
RS-232C	RS-232C port for connecting either a personal computer, printer, bar-code reader or 1:N connection <9-pin D-sub>

- Communication cable
- DC power supply terminal (M3)
- FX2NC-32BL battery
- Packing seal

## 2. Specifications

### 2.1 General Specifications

Item	Specifications
Operating Temperature	0 ~ 50 °C (32 ~ 122 °F)
Storage Temperature	-20 ~ 60 °C (-4 ~ 140 °F)
Humidity	35 ~ 85% Relative Humidity, No condensation
Vibration Resistance - intermittent vibration	Conforms to IEC 1131-2; 10 ~ 57 Hz: 0.075 mm Half Amplitude 57 ~ 150 Hz: 9.8 m/s <sup>2</sup> Acceleration Sweep Count for X, Y, Z: 10 times (80 min. in each direction)
Vibration Resistance - Continuous vibration	Conforms to IEC 1131-2; 10 ~ 57 Hz: 0.035 mm Half Amplitude 57 ~ 150 Hz: 4.9 m/s <sup>2</sup> Acceleration Sweep Count for X, Y, Z: 10 times (80 min in each direction)
Shock Resistance	Conforms to IEC 1131-2: 147m/s <sup>2</sup> Acceleration, 3 times in each direction X, Y, and Z
Noise Immunity	1000 Vp-p, 1micro second, 30 ~ 100 Hz, tested by noise simulator
Dielectric Withstand Voltage	500 V AC > 1 min, tested between power terminals and ground
Insulation Resistance	5 MΩ > at 500 V DC, tested between power terminals and ground
Ground	Grounding resistance of 100 Ω or less. (Class D)
Protection	IP 65F

## 2.2 Power Supply Specifications

Items	F93*GOT-BWD-E
Power Supply Voltage	24V DC, +10% -15%
Power Supply Ripple	200 mV or less
Current Consumption	Ratings: 200 mA at 24V DC (100 mA at 24 V DC when backlight is turned OFF)
Fuse	Fuse built-in GOT (impossible to change)
Max. Allowable Momentary Power Supply Failure period	5 ms; If less than 5 ms, the GOT will continue operation. If 5 ms or more, the GOT will shut down.
Battery	Built-in, FX2NC-32BL type lithium battery. (Approximately 3 years battery life) Guaranteed term is 1 year.

## 2.3 Screen Hardware Specifications

Items	F93*GOT-BWD-E	
Display Device	STN monochrome liquid crystal	
Resolution	240 × 80 (dot), 30 characters × 5 lines	
Dot Pitch	0.47 mm (0.019") Horizontal × 0.47 mm (0.019") Vertical.	
Effective Display Size	117 mm (4.61") × 42 mm (1.65"); 4 (4.4 inch) type	
Number of Colours	2 colours (White and Blue)	
Life of liquid crystal	Approximately 50,000 hours (Operating temperature: 25 °C/77°F) Guaranteed term is 1 year.	
Backlight	Cold cathode tube	
Life of Backlight	50,000 hours or more (Operating temperature: 25 °C/77°F) Guaranteed term is 1 year.	
Touch Keys	Maximum 50 touch keys / screen, 15 × 4 matrix	
Interface	RS-422	Conforming to RS-422
	RS-232C	Conforming to RS-232C
Number of Screens	User screen: 500 screens or less System screen: Allocated screens No. 1001-1030.	
User Memory	Flash memory 256 KB (built-in)	

## 3. Installation



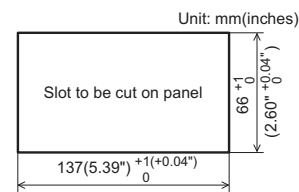
### Note;

- Do not mount the GOT in an environment that contains dust, soot corrosive or conductive dust, corrosive or flammable gas, or expose the unit to high temperatures, dew condensation, rain, wind or impact and vibration. If the GOT is used in such a place, electrical shock, fire, malfunction, damages or deterioration may occur.
- Never drop cutting chips or electric wire chips into the ventilation window of the GOT when drilling screw holes or performing wiring. Such chips may cause fire, failure or malfunction.
- Turn off the power before securely connecting any cables. Poor connection may cause malfunction.

The GOT is designed to be mounted in a panel. Install it using the following procedure:

### 1) Preparing the panel surface.

On the panel surface, cut a rectangular mounting slot of the dimensions shown on the right. At this time, space of 10 mm is required at each of the top and the bottom of the slot, inside the panel for metal fixtures as shown in "4) Dimensions required inside the panel for installation".



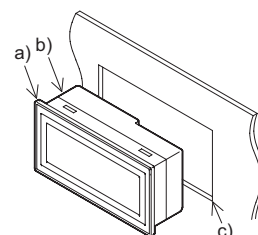
### Note

Make sure that the thickness of the panel surface is no more than 5 mm (0.20").

### 2) Inserting the GOT into the panel surface

Attach the packing seal to the GOT, and insert the GOT from the front face of the panel surface.

- Packing seal
- GOT
- Mounting slot



### 3) Fixing the GOT

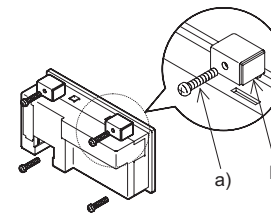
Put hooks of the mounting brackets (supplied) in to the mounting holes of the GOT. Tighten mounting bolts (also supplied) until the GOT is securely fixed. Fix mounting bolts in all four positions, above and below the GOT.

- Clamping bolt
- Mounting bracket



### Note:

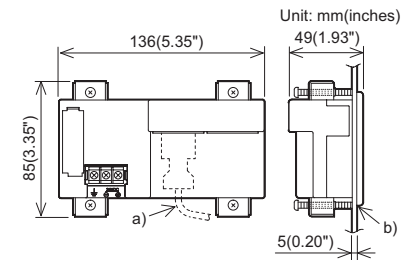
Make sure to tighten the clamping bolts with a torque of 0.3 ~ 0.5 N·m.



### 4) Dimensions required inside the panel for installation.

When installing the GOT, make sure that the inner dimensions shown on the right are available.

- PLC connection cable
- Packing seal



## 4. Power Supply Wiring



### Caution:

Cut OFF all external phases of power before installation or wiring to avoid electric shock or serious damage to the product.



### Note:

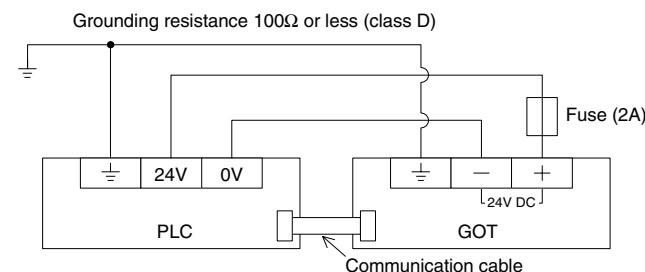
- Wire the power supply using electric wires of 0.75 mm<sup>2</sup> or more so that voltage drop will not occur. Use M3 size crimp style terminal. Securely tighten crimp-style terminals with a torque of 0.5 ~ 0.8 N·m so that errors can be avoided.
- Insure correct termination of the DC power source, incorrect connection may result in unit failure or serious damage to the GOT.
- Attach a fuse of 2 A to the 24V DC power supply.
- Perform Class D (100Ω or less) grounding with an electric wire of at least 1.25 mm<sup>2</sup>. Never perform common grounding of the GOT and a strong power system.



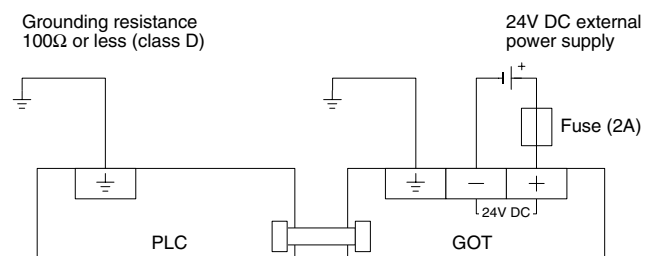
### Note

- Use an external power supply to provide 24V DC. (The service power supply of the programmable controller cannot be used.)
- Even if instantaneous power interruption of less than 5 ms occurs, the GOT continues to operate. When power interruption for a considerable period of time or voltage drop occurs, the GOT stops its operation. However, when the power supply is recovered, the GOT automatically restarts its operation. (The screen displayed just after recovery is determined by the working environment originally set.)

### 4.1 Using Service Power Supply of PLC



### 4.2 Using External Power Supply



## 5. Maintenance



### Cautions:

- Correctly connect the battery for memory backup. Never charge, disassemble, heat, burn or short-circuit the battery. If the battery is handled in such a way, fire may be caused.
- Always power OFF and remove the GOT from the panel before starting replacement of the backlight and battery. If this is not the case, the backlight may be dropped and cause injury, or electrical shock may be sustained.
- Never disassemble or modify the GOT. Disassembly or modification may cause failure, malfunction or fire. For repair, please, contact a service representative.



### Note:

Turn OFF the power, before connecting/disconnecting cables. Connecting/disconnecting cables while the power is turned on will cause failure or malfunction.

When repairing liquid crystal screen, please, contact a service representative.

### 5.1 Battery Replacement

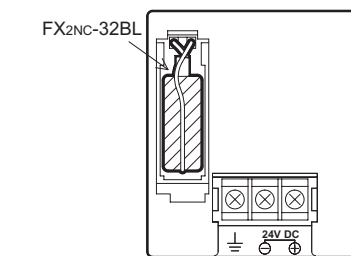
When the battery voltage drops, a control device (system information) set by the screen design software turns ON. The control device interlocks with an auxiliary relay in the PLC. It is recommended to provide a lamp while utilizing the output of the PLC so that voltage drop can be monitored outside the GOT. For details of control devices, refer to the GOT-F900 Series Operation Manual.



### Note:

For approximately one month after the control device for battery voltage drop turns ON, the battery will back up the alarm history, sampling and the current time. When the control device (system information) turns ON, replace the battery (FX2NC-32BL) as soon as possible. The screen data is stored in the flash memory, therefore, the screen data will remain even after severe battery voltage loss.

#### 5.1.1 Replacement Procedure



- Turn off the power to the GOT and remove the battery holder cover.
- Remove the existing battery from the battery holder, and disconnect.
- Within 30 seconds, connect a new battery.
- Insert the new battery into the battery holder, and attach the cover.

#### 5.2 Backlight Replacement

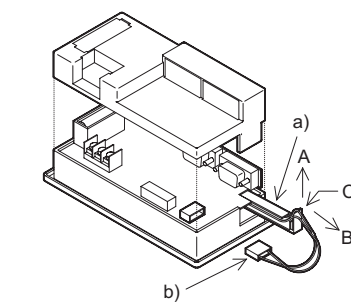
Replace the backlight F9GT-30LTB using the following procedure.



### Note: Removing Rear Panel

If the rear panel is pulled using an excessive force, the cable connecting the rear panel and the front panel may be disconnected or the PCB may be damaged. Be careful.

#### 5.2.1 Replacement procedure



- Make sure that the power of the GOT is turned OFF. Slowly remove the rear panel.
- Disconnect the backlight connector (b).
- While pushing the claw of the existing backlight (a), move it up in the direction A by approximately 10 mm.
- Pull out the existing backlight (a) in the direction B.
- Attach a new backlight F9GT-30LTB (b). Put it into the GOT by performing the steps 1) ~ 3) in the reverse order.

Manual number : JY992D95701

Manual revision : D

Date : March 2003

**MITSUBISHI ELECTRIC CORPORATION**

HEAD OFFICE : MITSUBISHI DENKI BLDG MARUNOUCHI TOKYO 100-8310  
HIMEJI WORKS : 840, CHIYODA CHO, HIMEJI, JAPAN