

MELSEC Q Series

Programmable Logic Controller

User's Manual
(Hardware)

Q64TD, Q64TDV-GH

Thermocouple Input Module Channel

Isolated Thermocouple/ Micro Voltage Input Module

● SAFETY PRECAUTIONS ●

(Read these precautions before using.)

When using Mitsubishi equipment, thoroughly read this manual and the associated manuals introduced in this manual. Also pay careful attention to safety and handle the module properly.

These SAFETY PRECAUTIONS classify the safety precautions into two categories: "DANGER" and "CAUTION".




DANGER

Procedures which may lead to a dangerous condition and cause death or serious injury, if not carried out properly.



CAUTION

Procedures which may lead to a dangerous condition and cause superficial to medium injury, or physical damage only, if not carried out properly.

Depending on circumstances, procedures indicated by  CAUTION may also be linked to serious results.

In any case, it is important to follow the directions for usage.

Store this manual in a safe place so that you can take it out and read it whenever necessary. Always forward it to the end user.

[DESIGN PRECAUTIONS]



DANGER

- Do not write data into the "system area" of the buffer memory of intelligent function modules. Also, do not use any "prohibited to use" signals as an output signal to an intelligent function module from the PLC CPU.
Writing data into the "system area" or outputting a signal for "prohibited to use" may cause a PLC system malfunction.



CAUTION

- Do not bunch the control wires or communication cables with the main circuit or power wires, or install them close to each other.
They should be installed 100 mm(3.94 inch) or more from each other.
Not doing so could result in noise that may cause malfunction.

[INSTALLATION PRECAUTIONS]

CAUTION

- Use the PLC in an environment that meets the general specifications contained in the CPU user's manual.
Using this PLC in an environment outside the range of the general specifications may cause electric shock, fire, malfunction, and damage to or deterioration of the product.
- When installing the module, securely insert the module fixing tabs into the mounting holes of the base module while pressing the installation lever located at the bottom of the module downward.
Improper installation may result in malfunction, breakdown or the module coming loose and dropping. Securely fix the module with screws if it is subject to vibration during use.
- Tighten the screws within the range of specified torque.
If the screws are loose, it may cause the module to fallout, short circuits, or malfunction.
If the screws are tightened too much, it may cause damage to the screw and/or the module, resulting in fallout, short circuits or malfunction.
- Switch all phases of the external power supply off when mounting or removing the module.
Not doing so may cause electric shock or damage to the module.
- Do not directly touch the conductive area or electronic components of the module. Doing so may cause malfunction or failure in the module.

[WIRING PRECAUTIONS]

CAUTION

- Always ground the FG terminal for the PLC.
There is a risk of electric shock or malfunction.
- When turning on the power and operating the module after wiring is completed, always attach the terminal cover that comes with the product.
There is a risk of electric shock if the terminal cover is not attached.
- Tighten the terminal screws within the range of specified torque.
If the terminal screws are loose, it may result in short circuits or malfunction. If the terminal screws are tightened too much, it may cause damage to the screw and/or the module, resulting in short circuits or malfunction.
- Be careful not to let foreign matter such as sawdust or wire chips get inside the module. They may cause fires, failure or malfunction.

[WIRING PRECAUTIONS]

CAUTION

- The top surface of the module is covered with protective film to prevent foreign objects such as cable offcuts from entering the module when wiring. Do not remove this film until the wiring is complete. Before operating the system, be sure to remove the film to provide adequate ventilation.
- Always place the thermocouple at least 100mm (3.94inch) away from the main circuit cables and AC control lines. Fully keep it away from high-voltage cables and circuits which include harmonics, such as an inverter's load circuit. Not doing so will make the module more susceptible to noises, surges and inductions.

REVISIONS

* The manual number is given on the bottom right of the top cover.

Print Date	* Manual Number	Revision
Nov.,2000	IB (NA)-0800155-A	First edition
Jan.,2002	IB (NA)-0800155-B	Model Q64TDV-GH was added. <u>Addition</u> Section2.2 <u>Correction</u> About the Manuals, Chapter1, Section2.1, Chapter4, Section5.1 Section5.2, Section5.3, Chapter6
Jul.,2003	IB (NA)-0800155-C	<u>Correction</u> Chapter1, Section2.1.1, Section2.2.1, Section3.1, Section5.1, Chapter6

This manual confers no industrial property rights or any rights of any other kind, nor does it confer any patent licenses. Mitsubishi Electric Corporation cannot be held responsible for any problems involving industrial property rights which may occur as a result of using the contents noted in this manual.

© 2000 MITSUBISHI ELECTRIC CORPORATION

SAFETY PRECAUTIONS.....	A-1
REVISIONS.....	A-3
CONTENTS.....	A-4
About the Manuals.....	A-5
Conformance to the EMC Directive/Low Voltage Directive	A-5
1. OVERVIEW	1
2. SPECIFICATIONS.....	1
2.1 Specifications of Q64TD	1
2.1.1 Performance Specifications	1
2.1.2 Usable Thermocouples and Measured Temperature Range Accuracies	2
2.2 Specifications of Q64TDV-GH	3
2.2.1 Performance Specifications	3
2.2.2 Usable Thermocouples and Measured Temperature Range Accuracies	5
2.2.3 Micro voltage input range and accuracies	5
3. LOADING AND INSTALLATION.....	6
3.1 Handling Instructions	6
3.2 Installation Environment	6
4. NAMES AND SETTINGS OF THE PARTS.....	7
5. WIRING.....	8
5.1 Wiring Instructions	8
5.2 External Wiring	8
5.3 Intelligent Function Module Switch Setting.....	10
6. OUTLINE DRAWINGS	11

About the Manuals

The following manuals are related to this product.
Referring to this list, please request the necessary manuals.

Detailed manual

Manual Name	Manual Number (Model Code)
Thermocouple Input Module , Channel Isolated Thermocouple/Micro Voltage Input Module User's Manual Q64TD/Q64TDV-GH/GX Configurator-TI (SW1D5C- QTIU-E)	SH-080141 (13JR30)

Conformance to the EMC Directive/Low Voltage Directive

For details on making Mitsubishi PLC conform to the EMC directive and low voltage instruction when installing it in your product, please see Chapter 3, "EMC Directive and Low Voltage Instruction" of the User's Manual (Hardware) of the PLC CPU to use.

The CE logo is printed on the rating plate on the main body of the PLC that conforms to the EMC directive and low voltage instruction.

1. OVERVIEW

This user's manual provides the specifications, handling, part names and others of the Q64TD thermocouple temperature input module (abbreviated to the Q64TD) and Q64TDV-GH channel isolated thermocouple/micro voltage input module (abbreviated to the Q64TDV-GH) used with the MELSEC-Q series CPU module.

2. SPECIFICATIONS

The following are the specifications of the Q64TD/Q64TDV-GH.

2.1 Specifications of Q64TD

2.1.1 Performance Specifications

Item		Specifications			
Number of channels		4 channels			
Out put	Temperature conversion value	16-bit, signed binary (-2700 to 18200: Value to the first decimal place × 10 times)			
	Scaling value	16-bit, signed binary			
Standard with which thermocouple conforms		JIS C1602-1995			
Usable thermocouples and measured temperature range accuracies		Refer to Section 2.1.2			
Cold junction temperature compensation accuracy		±1.0°C			
Accuracy		As per calculation expression marked *1			
Resolution		B,R,S,N : 0.3°C K,E,J,T : 0.1°C			
Conversion speed		40ms/channel *2			
Number of analog input points		4 channels + Pt100 connection channel/module			
Isolation	Specific isolated area	Isolation method	Dielectric withstand voltage	Isolation resistance	
	Between thermocouple input and earth	Transformer isolation	1780VrmsAC /3 cycles (Altitude 2000m)	100MΩ or more using 500VDC isolation resistance tester	
	Between thermocouple input channels	Transformer isolation		10MΩ or more using 500VDC isolation resistance tester	
	Between cold junction temperature compensation input (Pt100) and earth	No insulation	—	—	
Wire break detection		Yes (Each channel independent) *3			
E ² PROM write count		Max. 100 thousand times			
Number of occupied points		16 points			
Connection terminals		18-point terminal block			
Applicable wire size		0.3 to 0.75mm ²			
Applicable crimping terminals		1.25-3 R1.25-3(Sleeved crimping terminals are unusable)			
Internal current consumption (5VDC)		0.50A			
Weight		0.25kg			
Outline dimensions		98(H) × 27.4(W) × 112(D)mm			

*1: Calculate the accuracy in the following method.

(Accuracy) = (conversion accuracy) + (temperature characteristic) × (operating ambient temperature variation) + (cold junction temperature compensation accuracy)

An operating ambient temperature variation indicates a deviation of the operating ambient temperature from the 25±5°C range.

Example: When the thermocouple used is B, the operating ambient temperature is 35°C, and the measured temperature is 1000°C, the accuracy is:

(±2.5°C) + (±0.4°C) × (5°C) + (±1°C) = ±5.5°C

*2: The conversion speed is a period from when a temperature is input and converted into a corresponding digital value until the value is stored into the buffer memory. When two or more channels are used, the conversion speed is "40ms × number of conversion enabled channels".

*3: At wire break detection, the temperature measurement value right before wire break occurrence is held.

2.1.2 Usable Thermocouples and Measured Temperature Range Accuracies

Usable Thermocouple Type	Measured Temperature Range*1	Conversion Accuracy (At operating ambient temperature 25±5°C)	Temperature Characteristic (Per operating ambient temperature variation of 1°C)	Max. Temperature Error at Ambient Temperature 55°C
B	0 to 600°C	—— *3	—— *3	—— *3
	600 to 800°C ^{*2}	±3.0°C	±0.4°C	±13.0°C
	800 to 1700°C ^{*2}	±2.5°C		±12.5°C
	1700 to 1820°C	—— *3	—— *3	—— *3
R	-50 to 0°C	—— *3	—— *3	—— *3
	0 to 300°C ^{*2}	±2.5°C	±0.4°C	±12.5°C
	300 to 1600°C ^{*2}	±2.0°C	±0.3°C	±9.5°C
	1600 to 1760°C	—— *3	—— *3	—— *3
S	-50 to 0°C	—— *3	—— *3	—— *3
	0 to 300°C ^{*2}	±2.5°C	±0.4°C	±12.5°C
	300 to 1600°C ^{*2}	±2.0°C	±0.3°C	±9.5°C
	1600 to 1760°C	—— *3	—— *3	—— *3
K	-270 to -200°C	—— *3	—— *3	—— *3
	-200 to 0°C ^{*2}	Larger value of ±0.5°C and ±0.5% of measured temperature	Larger value of ±0.06°C and ±0.2% of measured temperature	±11.0°C
	0 to 1200°C ^{*2}	Larger value of ±0.5°C and ±0.25% of measured temperature	Larger value of ±0.06°C and ±0.02% of measured temperature	±9.0°C
	1200 to 1370°C	—— *3	—— *3	—— *3
E	-270 to -200°C	—— *3	—— *3	—— *3
	-200 to 0°C ^{*2}	Larger value of ±0.5°C and ±0.5% of measured temperature	Larger value of ±0.06°C and ±0.15% of measured temperature	±8.5°C
	0 to 900°C ^{*2}	Larger value of ±0.5°C and ±0.25% of measured temperature	Larger value of ±0.06°C and ±0.02% of measured temperature	±6.75°C
	900 to 1000°C	—— *3	—— *3	—— *3
J	-210 to -40°C	—— *3	—— *3	—— *3
	-40 to 750°C ^{*2}	Larger value of ±0.5°C and ±0.25% of measured temperature	Larger value of ±0.06°C and ±0.02% of measured temperature	±5.625°C
	750 to 1200°C	—— *3	—— *3	—— *3
T	-270 to -200°C	—— *3	—— *3	—— *3
	-200 to 0°C ^{*2}	Larger value of ±0.5°C and ±0.5% of measured temperature	Larger value of ±0.06°C and ±0.1% of measured temperature	±6.0°C
	0 to 350°C ^{*2}	Larger value of ±0.5°C and ±0.25% of measured temperature	Larger value of ±0.06°C and ±0.02% of measured temperature	±2.625°C
	350 to 400°C	—— *3	—— *3	—— *3
N	-270 to -200°C	—— *3	—— *3	—— *3
	-200 to 0°C ^{*2}	Larger value of ±0.5°C and ±0.5% of measured temperature	Larger value of ±0.06°C and ±0.2% of measured temperature	±11.0°C
	0 to 1250°C ^{*2}	Larger value of ±0.5°C and ±0.25% of measured temperature	Larger value of ±0.06°C and ±0.02% of measured temperature	±9.375°C
	1250 to 1300°C	—— *3	—— *3	—— *3

*1: If a value entered from the thermocouple is outside the measured temperature range given in the table, it is handled as the maximum/minimum value of the measured temperature range.

*2: The accuracies only in the temperature ranges of Class 1 to 3 (shaded areas) in JIS C1602-1995 apply.

*3: Temperature measurement can be made, but accuracy is not guaranteed.

2.2 Specifications of Q64TDV-GH

2.2.1 Performance Specifications

Item		Specifications		
Number of channels		4 channels		
Out put	Temperature conversion value	16-bit, signed binary (-2700 to 18200: Value to the first decimal place × 10 times)		
	Micro voltage conversion value	16-bit signed binary (-25000 to 25000)		
	Scaling value	16-bit, signed binary		
Standard with which thermocouple conforms		JIS C1602-1995		
Usable thermocouples and measured temperature range accuracies		Refer to Section 2.2.2		
Cold junction temperature compensation accuracy		±1.0°C		
Thermocouple input accuracy		As per calculation expression marked *1		
Micro voltage input range		-100mV to +100mV (input resistance 2MΩ or more)		
Micro voltage input accuracy		Refer to Section 2.2.3.		
Resolution	Thermocouple input	B:0.7°C R,S:0.8°C K,T:0.3°C E:0.2°C J:0.1°C N:0.4°C		
	Micro voltage input	4 μV		
Sampling period		20ms/channel *2		
Conversion speed		Sampling period×3*3		
Number of analog input points		4 channels + Pt100 connection channel/module		
Absolute maximum input		±5V		
Isolation	Specific isolated area	Isolation method	Dielectric withstand voltage	Isolation resistance
	Between thermocouple input/micro voltage input and earth	Transformer isolation	1780VrmsAC /3 cycles (Altitude 2000m)	100MΩ or more using 500VDC isolation resistance tester
	Between thermocouple input/micro voltage input channels	Transformer isolation		10MΩ or more using 500VDC isolation resistance tester
	Between cold junction temperature compensation input (Pt100) and earth	No insulation	—	—
Wire break detection		Yes (Each channel independent) *4		
E ² PROM write count		Max. 100 thousand times		
Number of occupied points		16 points		
Connection terminals		18-point terminal block		
Applicable wire size		0.3 to 0.75mm ²		
Applicable crimping terminals		1.25-3 R1.25-3(Sleeved crimping terminals are unusable)		
Internal current consumption (5VDC)		0.50A		
Weight		0.25kg		
Outline dimensions		98(H) × 27.4(W) × 112(D)mm		

*1: Calculate the accuracy in the following method.

(Accuracy) = (conversion accuracy) + (temperature characteristic) × (operating ambient temperature variation) + (cold junction temperature compensation accuracy)

An operating ambient temperature variation indicates a deviation of the operating ambient temperature from the 25±5°C range.

Example: When the thermocouple used is B, the operating ambient temperature is 35°C, and the measured temperature is 1000°C, the accuracy is:

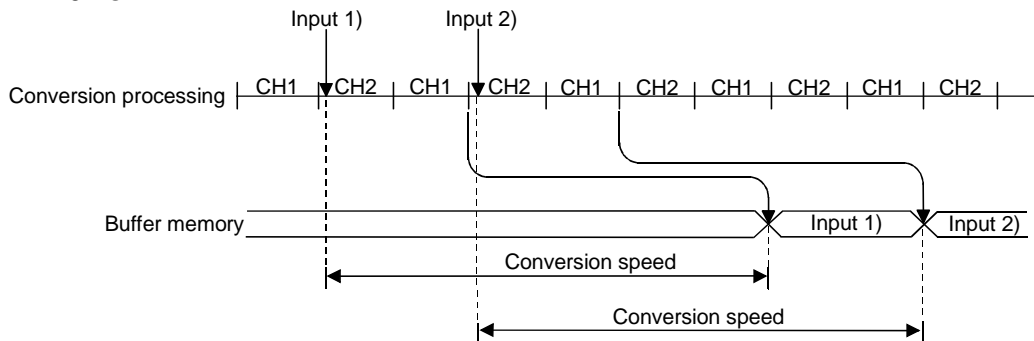
$$(\pm 3.5^{\circ}\text{C}) + (\pm 0.4^{\circ}\text{C}) \times (5^{\circ}\text{C}) + (\pm 1^{\circ}\text{C}) = \pm 6.5^{\circ}\text{C}$$

- *2: A period until a thermocouple input value/micro voltage input value is converted into a temperature measurement value/micro voltage conversion value.
- *3: A period until a thermocouple input value/micro voltage input value is converted into a temperature measurement value/micro voltage conversion value and the resultant value is stored into the buffer memory.

The conversion speed is a delay time that occurs during sampling processing. It is independent of averaging processing.

Example: When two channels are enabled for conversion

$$\begin{aligned}
 (\text{Conversion speed}) &= (\text{sampling period}) \times 3 \\
 &= (20\text{ms} \times 2 \text{ channels}) \times 3 \\
 &= 120\text{ms}
 \end{aligned}$$



- *4: At wire break detection, the temperature measurement value/micro voltage conversion value right before wire break occurrence is held.

2.2.2 Usable Thermocouples and Measured Temperature Range Accuracies

Usable Thermocouple Type	Measured Temperature Range*1	Conversion Accuracy (At operating ambient temperature 25±5°C)	Temperature Characteristic (Per operating ambient temperature variation of 1°C)	Max. Temperature Error at Ambient Temperature 55°C
B	0 to 600°C	—— *3	—— *3	—— *3
	600 to 800°C ^{*2}	±4.0°C	±0.4°C	±14.0°C
	800 to 1700°C ^{*2}	±3.5°C		±13.5°C
	1700 to 1820°C	—— *3	—— *3	—— *3
R	-50 to 0°C	—— *3	—— *3	—— *3
	0 to 300°C ^{*2}	±4.0°C	±0.4°C	±14.0°C
	300 to 1600°C ^{*2}	±3.5°C		±13.5°C
	1600 to 1760°C	—— *3	—— *3	—— *3
S	-50 to 0°C	—— *3	—— *3	—— *3
	0 to 300°C ^{*2}	±4.0°C	±0.4°C	±14.0°C
	300 to 1600°C ^{*2}	±3.5°C		±13.5°C
	1600 to 1760°C	—— *3	—— *3	—— *3
K	-270 to -200°C	—— *3	—— *3	—— *3
	-200 to 0°C ^{*2}	±2.0°C	±0.25°C	±8.25°C
	0 to 200°C ^{*2}	±1.5°C		±7.75°C
	0 to 1200°C ^{*2}	±2.0°C		±8.25°C
	1200 to 1370°C	—— *3	—— *3	—— *3
E	-270 to -200°C	—— *3	—— *3	—— *3
	-200 to 200°C ^{*2}	±1.5°C	±0.15°C	±5.25°C
	200 to 900°C ^{*2}	±2.0°C		±5.75°C
	900 to 1000°C	—— *3	—— *3	—— *3
J	-210 to -40°C	—— *3	—— *3	—— *3
	-40 to 200°C ^{*2}	±1.5°C	±0.15°C	±5.25°C
	200 to 750°C ^{*2}	±2.0°C		±5.75°C
750 to 1200°C	—— *3	—— *3	—— *3	
T	-270 to -200°C	—— *3	—— *3	—— *3
	-200 to 0°C ^{*2}	±2.0°C	±0.1°C	±4.5°C
	0 to 350°C ^{*2}	±1.5°C		±4.0°C
	350 to 400°C	—— *3	—— *3	—— *3
N	-270 to -200°C	—— *3	—— *3	—— *3
	-200 to 0°C ^{*2}	±2.5°C	±0.25°C	±8.75°C
	0 to 200°C ^{*2}	±2.0°C		±8.25°C
	0 to 1250°C ^{*2}	±2.5°C		±8.75°C
	1250 to 1300°C	—— *3	—— *3	—— *3

*1: If a value entered from the thermocouple is outside the measured temperature range given in the table, it is handled as the maximum/minimum value of the measured temperature range.

*2: The accuracies only in the temperature ranges of Class 1 to 3 (shaded areas) in JIS C1602-1995 apply.

*3: Temperature measurement can be made, but accuracy is not guaranteed.

2.2.3 Micro voltage input range and accuracies

Input Type	Measurable Voltage Range	Conversion Accuracy	
		(At 25±5°C operating ambient temperature)	(At 0 to 55°C operating ambient temperature)
Micro voltage input	-100 to 100mV	±0.2mV	±0.8mV

3. LOADING AND INSTALLATION

3.1 Handling Instructions

- (1) Do not drop the case and connectors of the module and subject them to hard impact.
- (2) Do not remove the printed circuit boards of the module from the case. Doing so can cause a failure.
- (3) Be careful to prevent wire-offcuts and other foreign matter from entering the module. They can cause a fire, failure or malfunction.
- (4) To prevent wire-offcuts and other foreign matter from entering the module during wiring, the module carries a foreign matter ingress prevention label at its top. During wiring, do not remove this label. For system operation, always remove this label to ensure adequate heat dissipation.
- (5) Tighten the mounting and terminal screws of the module within the following ranges.

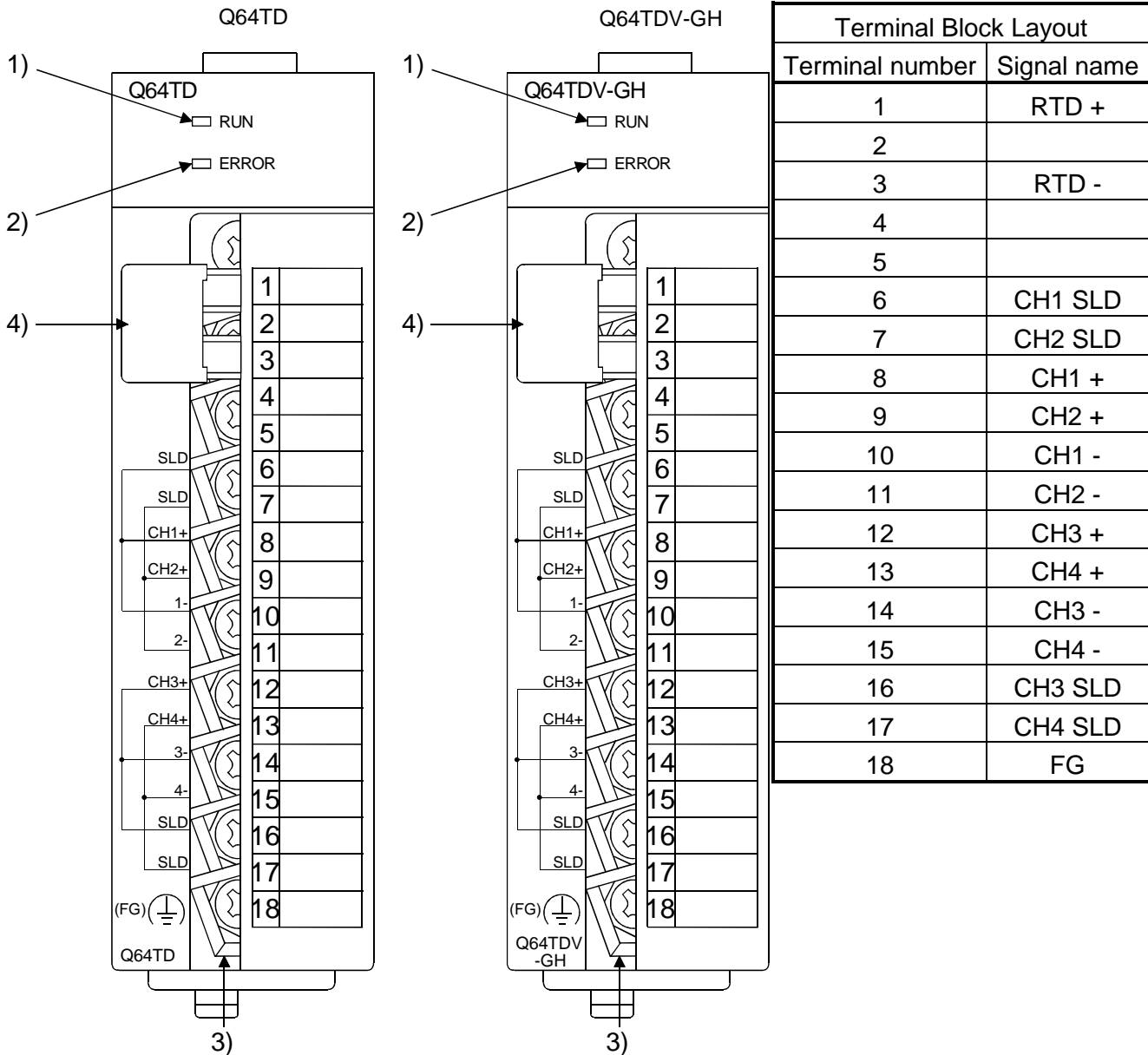
Screw Location	Tightening Torque Range
Module mounting screw (M3 screw)	36 to 48 N · cm
Terminal block terminal screw (M3 screw)	42 to 58 N · cm
Terminal block mounting screw (M3.5 screw)	66 to 89 N · cm

- (6) To mount the module on the base, securely insert the module fastening latch into the fastening hole on the base. Improper installation may result in a module malfunction, or may cause the module to fall off.
- (7) Always make sure to touch the grounded metal to discharge the electricity charge in the body, etc., before touching the module.
Failure to do so may cause a failure or malfunctions of the module.

3.2 Installation Environment

Refer to the user's manual of the CPU module used.

4. NAMES AND SETTINGS OF THE PARTS



Number	Name and Appearance	Description
1)	RUN LED	Indicates the operating status of the Q64TD/Q64TDV-GH. On : Operating normally. Flicker : Offset/gain setting mode Off : 5V power-off , Watchdog timer error occurrence or module change enabled status during online module change
2)	ERR LED	Indicates the error status of the Q64TD/Q64TDV-GH. On : Error occurrence Flicker : Switch setting error Switch 5 was set to other than 0 in intelligent function module switch setting of GX Developer. Off : Operating normally.
3)	Terminal block	Used for wiring of the thermocouple, etc.
4)	Cold junction temperature compensation resistor	Used for cold junction temperature compensation using Pt100.

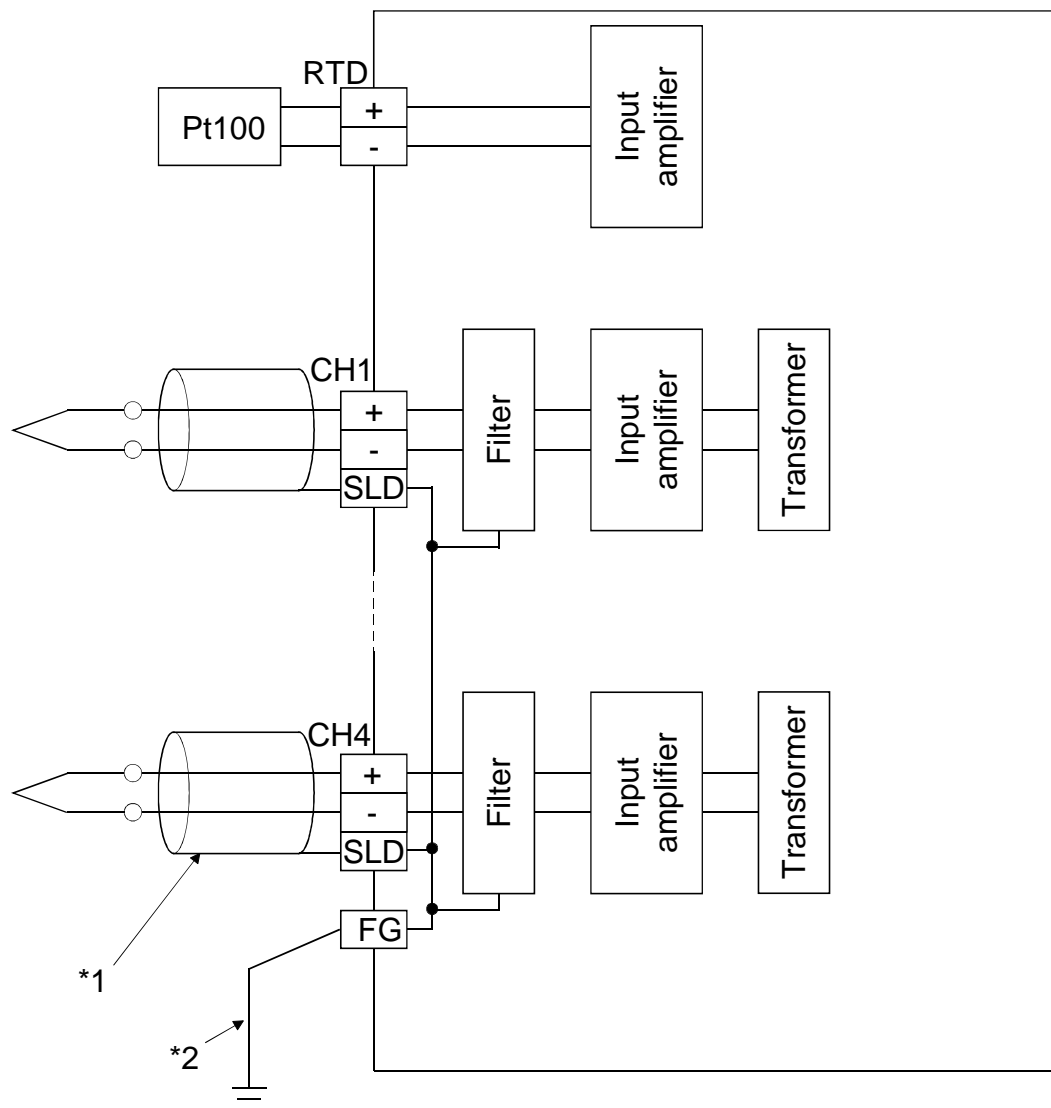
5. WIRING

5.1 Wiring Instructions

- (1) Use separate cables for the AC control circuit and Q64TD/Q64TDV-GH's external input signals to avoid the influence of AC side surges and inductions.
- (2) Always place the thermocouple/micro voltage signal cable at least 100mm away from the main circuit cables and AC control circuit lines. Fully keep it away from high-voltage cables and circuits which include harmonics, such as an inverter's load circuit. Not doing so will make the module more susceptible to noises, surges and inductions.
- (3) Insulation-sleeved crimping terminals cannot be used with the terminal block.
It is recommended to fit mark tubes or insulation tubes to the wire connection parts of the crimping terminals.

5.2 External Wiring

(1) Thermocouple

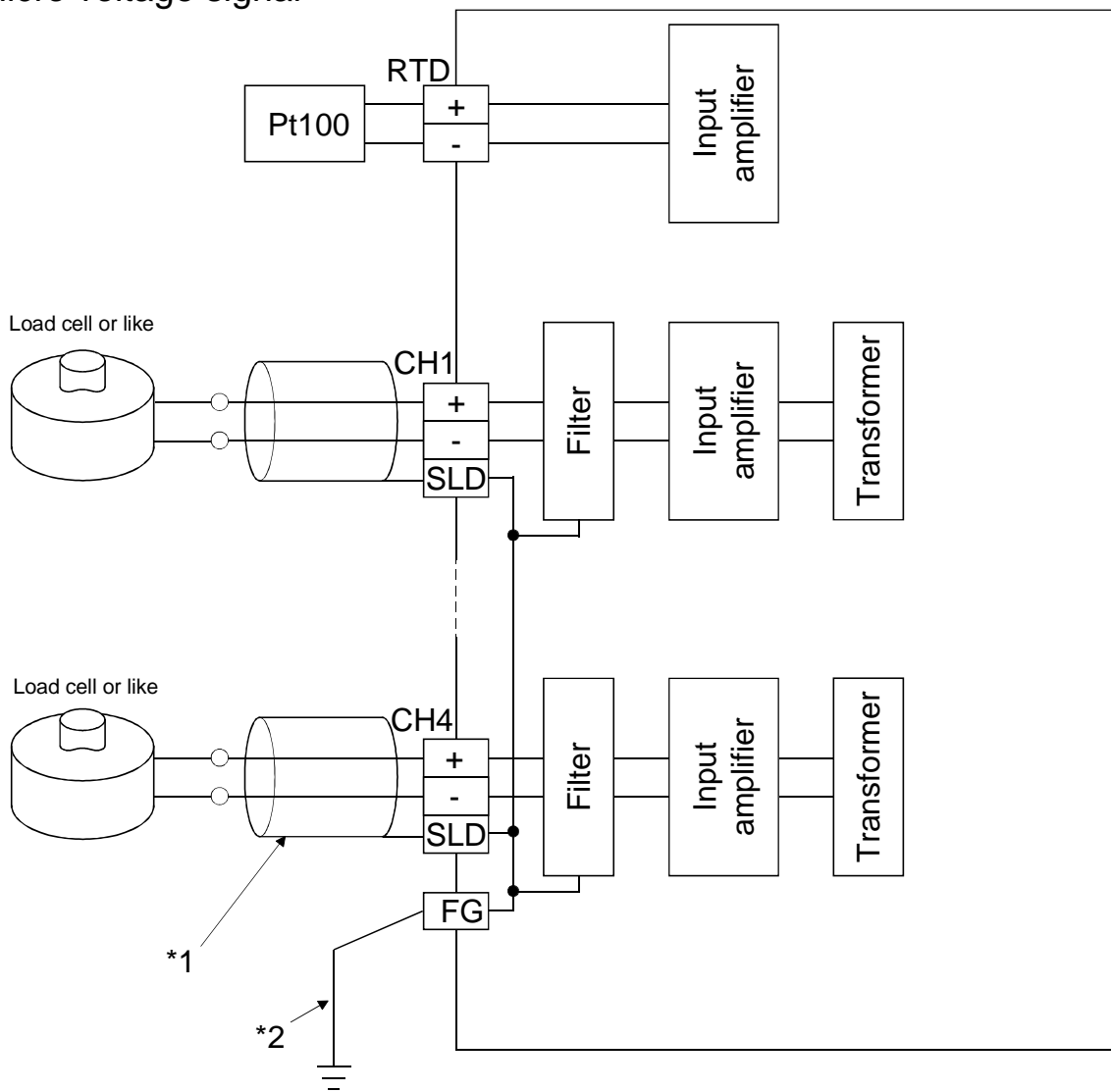


*1:As cables, always use shielded compensation conductors.

Also, wire the shielded cables as short as possible.

*2:Always connect to the earth terminal of the control box.

(2) Micro voltage signal



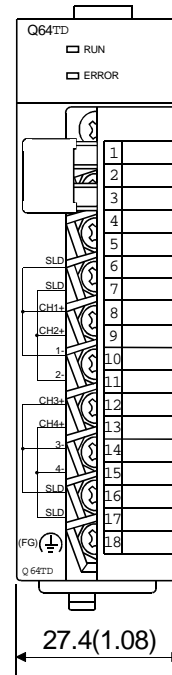
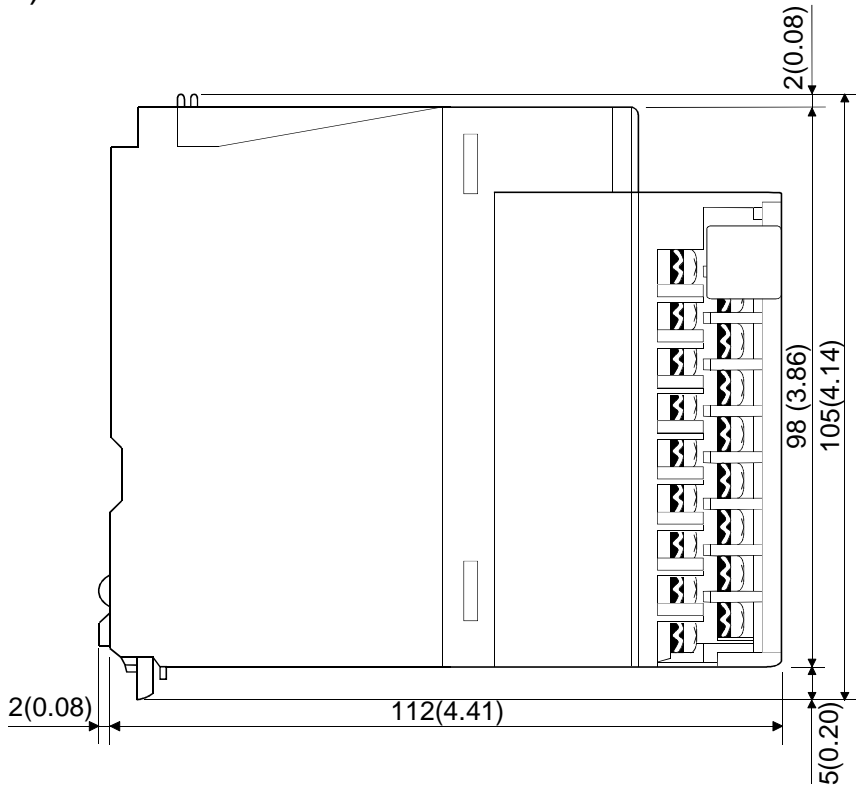
*1:As cables, always use shielded conductors.

Also, wire the shielded cables as short as possible.

*2:Always connect to the earth terminal of the control box.

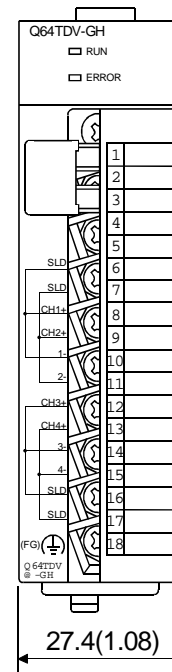
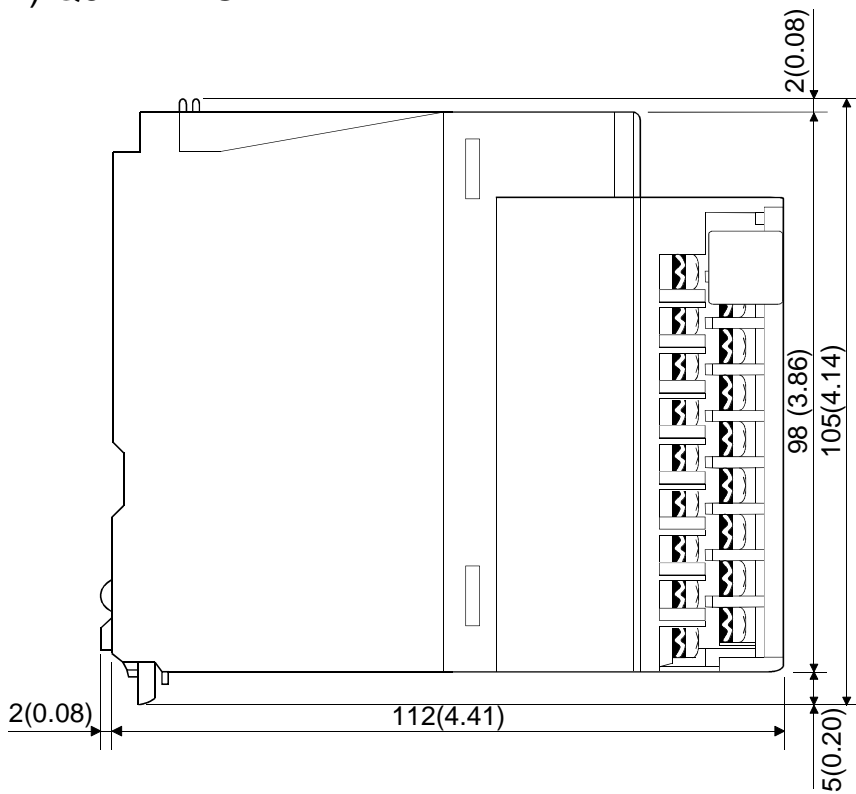
6. OUTLINE DRAWINGS

1) Q64TD



Unit: mm (in.)

2) Q64TDV-GH



Unit: mm (in.)

Warranty

Mitsubishi will not be held liable for damage caused by factors found not to be the cause of Mitsubishi; machine damage or lost profits caused by faults in the Mitsubishi products; damage, secondary damage, accident compensation caused by special factors unpredictable by Mitsubishi; damages to products other than Mitsubishi products; and to other duties.

⚠ For safe use

- This product has been manufactured as a general-purpose part for general industries, and has not been designed or manufactured to be incorporated in a device or system used in purposes related to human life.
- Before using the product for special purposes such as nuclear power, electric power, aerospace, medicine or passenger movement vehicles, consult with Mitsubishi.
- This product has been manufactured under strict quality control. However, when installing the product where major accidents or losses could occur if the product fails, install appropriate backup or failsafe functions in the system.

Country/Region	Sales office/Tel	Country/Region	Sales office/Tel
U.S.A	Mitsubishi Electric Automation Inc. 500 Corporate Woods Parkway Vernon Hills, IL 60061 Tel : +1-847-478-2100	Hong Kong	Ryoden Automation Ltd. 10th Floor, Manulife Tower, 169 Electric Road, North Point, HongKong Tel : +852-2887-8870
Brazil	MELCO-TEC Rep. Com.e Assessoria Tecnica Ltda. AV. Paulista 1471, Conj. 308, Sao Paulo City, Sao Paulo State, Brazil Tel : +55-11-283-2423	China	Ryoden Automation Shanghai Ltd. 3F Block5 Building Automation Instrumentation Plaza 103 Cao Bao Rd. Shanghai 200233 China Tel : +86-21-6475-3228
Germany	Mitsubishi Electric Europe B.V. German Branch Gothaer Strasse 8 D-40880 Ratingen, GERMANY Tel : +49-2102-486-0	Taiwan	Setsuyo Enterprise Co., Ltd. 6F., No.105 Wu-Kung 3rd.RD, Wu-Ku Hsiang, Taipei Hsine, Taiwan Tel : +886-2-2299-2499
U.K	Mitsubishi Electric Europe B.V. UK Branch Travellers Lane, Hatfield, Herts., AL10 8XB,UK Tel : +44-1707-276100	Korea	HAN NEUNG TECHNO CO.,LTD. 1F Dong Seo Game Channel Bldg., 660-11, Deungchon-dong Kangsec-ku, Seoul, Korea Tel : +82-2-3660-9552
Italy	Mitsubishi Electric Europe B.V. Italian Branch Centro Dir. Colleoni, Pal. Perseo-Ingr.2 Via Paracelso 12, 20041 Agrate B., Milano, Italy Tel : +39-039-6053344	Singapore	Mitsubishi Electric Asia Pte, Ltd. 307 ALEXANDRA ROAD #05-01/02, MITSUBISHI ELECTRIC BUILDING SINGAPORE 159943 Tel : +65-6473-2308
Spain	Mitsubishi Electric Europe B.V. Spanish Branch Carretera de Rubi 76-80 08190 - Sant Cugat del Valles, Barcelona, Spain Tel : +34-93-565-3131	Thailand	F. A. Tech Co.,Ltd. 898/28,29,30 S.V.City Building,Office Tower 2,Floor 17-18 Rama 3 Road, Bangkokpang, Yannawa, Bangkok 10120 Tel : +66-2-682-6522
France	Mitsubishi Electric Europe B.V. French Branch 25 Boulevard des Bouvets, F-92741 Nanterre Cedex, France TEL: +33-1-5568-5568	Indonesia	P.T. Autoteknindo SUMBER MAKMUR Jl. Muara Karang Selatan Block A Utara No.1 Kav. No.11 Kawasan Industri/ Pergudangan Jakarta - Utara 14440 Tel : +62-21-663-0833
South Africa	Circuit Breaker Industries LTD. Tripswitch Drive, Elandsfontein Gauteng, South Africa Tel : +27-11-928-2000	India	Messung Systems Put,Ltd. Electronic Sadan NO:111 Unit No15, M.I.D.C BHOSARI,PUNE-411026 Tel : +91-20-712-2807
		Australia	Mitsubishi Electric Australia Pty. Ltd. 348 Victoria Road, PostalBag, No 2, Rydalmere, N.S.W 2116, Australia Tel : +61-2-9684-7777

MITSUBISHI ELECTRIC CORPORATION

HEAD OFFICE : 1-8-12, OFFICE TOWER Z 14F HARUMI CHUO-KU 104-6212, JAPAN
NAGOYA WORKS : 1-14, YADA-MINAMI 5-CHOME, HIGASHI-KU, NAGOYA, JAPAN

When exported from Japan, this manual does not require application to the Ministry of Economy, Trade and Industry for service transaction permission.

Specifications subject to change without notice.
Printed in Japan on recycled paper.

HEADQUARTERS

MITSUBISHI ELECTRIC EUROPE B.V. **EUROPE**
 German Branch
 Gothaer Straße 8
D-40880 Ratingen
 Phone: +49 (0)2102 / 486-0
 Fax: +49 (0)2102 / 486-1120

MITSUBISHI ELECTRIC EUROPE B.V.-org.sl. **CZECH REP.**
 Czech Branch
 Avenir Business Park, Radlická 714/113a
CZ-158 00 Praha 5
 Phone: +420 - 251 551 470
 Fax: +420 - 251-551-471

MITSUBISHI ELECTRIC EUROPE B.V. **FRANCE**
 French Branch
 25, Boulevard des Bouvets
F-92741 Nanterre Cedex
 Phone: +33 (0)1 / 55 68 55 68
 Fax: +33 (0)1 / 55 68 57 57

MITSUBISHI ELECTRIC EUROPE B.V. **IRELAND**
 Irish Branch
 Westgate Business Park, Ballymount
IRL-Dublin 24
 Phone: +353 (0)1 4198800
 Fax: +353 (0)1 4198890

MITSUBISHI ELECTRIC EUROPE B.V. **ITALY**
 Italian Branch
 Viale Colleoni 7
I-20041 Agrate Brianza (MB)
 Phone: +39 039 / 60 53 1
 Fax: +39 039 / 60 53 312

MITSUBISHI ELECTRIC EUROPE B.V. **POLAND**
 Poland Branch
 Krakowska 50
PL-32-083 Balice
 Phone: +48 (0)12 / 630 47 00
 Fax: +48 (0)12 / 630 47 01

MITSUBISHI ELECTRIC EUROPE B.V. **RUSSIA**
 52, bid. 3 Kosmodamianskaya nab 8 floor
RU-115054 Moscow
 Phone: +7 495 721-2070
 Fax: +7 495 721-2071

MITSUBISHI ELECTRIC EUROPE B.V. **SPAIN**
 Spanish Branch
 Carretera de Rubí 76-80
E-08190 Sant Cugat del Vallés (Barcelona)
 Phone: 902 131121 // +34 935653131
 Fax: +34 935891579

MITSUBISHI ELECTRIC EUROPE B.V. **UK**
 UK Branch
 Travellers Lane
UK-Hatfield, Herts. AL10 8XB
 Phone: +44 (0)1707 / 27 61 00
 Fax: +44 (0)1707 / 27 86 95

MITSUBISHI ELECTRIC CORPORATION **JAPAN**
 Office Tower "Z" 14 F
 8-12,1 chome, Harumi Chuo-Ku
Tokyo 104-6212
 Phone: +81 3 622 160 60
 Fax: +81 3 622 160 75

MITSUBISHI ELECTRIC AUTOMATION, Inc. **USA**
 500 Corporate Woods Parkway
Vernon Hills, IL 60061
 Phone: +1 847 478 21 00
 Fax: +1 847 478 22 53

EUROPEAN REPRESENTATIVES

GEVA **AUSTRIA**
 Wiener Straße 89
AT-2500 Baden
 Phone: +43 (0)2252 / 85 55 20
 Fax: +43 (0)2252 / 488 60

TEHNIKON **BELARUS**
 Oktyabrskaya 16/5, Off. 703-711
BY-220030 Minsk
 Phone: +375 (0)17 / 210 46 26
 Fax: +375 (0)17 / 210 46 26

ESCO DRIVES & AUTOMATION **BELGIUM**
 Culliganlaan 3
BE-1831 Diegem
 Phone: +32 (0)2 / 717 64 30
 Fax: +32 (0)2 / 717 64 31

Koning & Hartman b.v. **BELGIUM**
 Woluwelaan 31
BE-1800 Vilvoorde
 Phone: +32 (0)2 / 257 02 40
 Fax: +32 (0)2 / 257 02 49

INEA BH d.o.o. **BOSNIA AND HERZEGOVINA**
 Aleja Lipa 56
BA-71000 Sarajevo
 Phone: +387 (0)33 / 921 164
 Fax: +387 (0)33 / 524 539

AKHNATON **BULGARIA**
 4 Andrej Ljapchev Blvd. Pb 21
BG-1756 Sofia
 Phone: +359 (0)2 / 817 6044
 Fax: +359 (0)2 / 97 44 06 1

INEA CR d.o.o. **CROATIA**
 Losinjska 4 a
HR-10000 Zagreb
 Phone: +385 (0)1 / 36 940 -01 / -02 / -03
 Fax: +385 (0)1 / 36 940 -03

AutoCont C.S. s.r.o. **CZECH REPUBLIC**
 Technologická 374/6
CZ-708 00 Ostrava-Pustkovec
 Phone: +420 595 691 150
 Fax: +420 595 691 199

Beijer Electronics A/S **DENMARK**
 Lykkegårdsvej 17
DK-4000 Roskilde
 Phone: +45 (0)46 / 75 76 66
 Fax: +45 (0)46 / 75 56 26

Beijer Electronics Eesti OÜ **ESTONIA**
 Pärnu mnt.160i
EE-11317 Tallinn
 Phone: +372 (0)6 / 51 81 40
 Fax: +372 (0)6 / 51 81 49

Beijer Electronics OY **FINLAND**
 Peltoie 37
FIN-28400 Ulvila
 Phone: +358 (0)207 / 463 540
 Fax: +358 (0)207 / 463 541

UTEKO **GREECE**
 5, Mavrogenous Str.
GR-18542 Piraeus
 Phone: +30 211 / 1206 900
 Fax: +30 211 / 1206 999

MELTRADE Kft. **HUNGARY**
 Fertő utca 14.
HU-1107 Budapest
 Phone: +36 (0)1 / 431-9726
 Fax: +36 (0)1 / 431-9727

Beijer Electronics SIA **LATVIA**
 Rītausmas iela 23
LV-1058 Rīga
 Phone: +371 (0)784 / 2280
 Fax: +371 (0)784 / 2281

Beijer Electronics UAB **LITHUANIA**
 Savanorių Pr. 187
LT-02300 Vilnius
 Phone: +370 (0)5 / 232 3101
 Fax: +370 (0)5 / 232 2980

EUROPEAN REPRESENTATIVES

ALFATRADE Ltd. **MALTA**
 99, Paola Hill
Malta- Paola PLA 1702
 Phone: +356 (0)21 / 697 816
 Fax: +356 (0)21 / 697 817

INTEHSIS srl **MOLDOVA**
 bld. Traian 23/1
MD-2060 Kishinev
 Phone: +373 (0)22 / 66 4242
 Fax: +373 (0)22 / 66 4280

HIFLEX AUTOM.TECHNIEK B.V. **NETHERLANDS**
 Wolweverstraat 22
NL-2984 CD Ridderkerk
 Phone: +31 (0)180 - 46 60 04
 Fax: +31 (0)180 - 44 23 55

Koning & Hartman b.v. **NETHERLANDS**
 Haarderbergweg 21-23
NL-1101 CH Amsterdam
 Phone: +31 (0)20 / 587 76 00
 Fax: +31 (0)20 / 587 76 05

Beijer Electronics AS **NORWAY**
 Postboks 487
NO-3002 Drammen
 Phone: +47 (0)32 / 24 30 00
 Fax: +47 (0)32 / 84 85 77

Fonseca S.A. **PORTUGAL**
 R. João Francisco do Casal 87/89
PT - 3801-997 Aveiro, Esgueira
 Phone: +351 (0)234 / 303 900
 Fax: +351 (0)234 / 303 910

Sirius Trading & Services srl **ROMANIA**
 Aleea Lacul Morii Nr. 3
RO-060841 Bucuresti, Sector 6
 Phone: +40 (0)21 / 430 40 06
 Fax: +40 (0)21 / 430 40 02

Craft Con. & Engineering d.o.o. **SERBIA**
 Bulevar Svetog Cara Konstantina 80-86
SER-18106 Nis
 Phone: +381 (0)18 / 292-24-4/5
 Fax: +381 (0)18 / 292-24-4/5

INEA SR d.o.o. **SERBIA**
 Izletnicka 10
SER-113000 Smederevo
 Phone: +381 (0)26 / 617 163
 Fax: +381 (0)26 / 617 163

SIMAP s.r.o. **SLOVAKIA**
 Jána Derku 1671
SK-911 01 Trenčín
 Phone: +421 (0)32 743 04 72
 Fax: +421 (0)32 743 75 20

PROCONT, spol. s r.o. Prešov **SLOVAKIA**
 Kúpeľná 1/A
SK-080 01 Prešov
 Phone: +421 (0)51 7580 611
 Fax: +421 (0)51 7580 650

INEA d.o.o. **SLOVENIA**
 Stegne 11
SI-1000 Ljubljana
 Phone: +386 (0)1 / 513 8100
 Fax: +386 (0)1 / 513 8170

Beijer Electronics AB **SWEDEN**
 Box 426
SE-20124 Malmö
 Phone: +46 (0)40 / 35 86 00
 Fax: +46 (0)40 / 93 23 01

Omni Ray AG **SWITZERLAND**
 Im Schörl 5
CH-8600 Dübendorf
 Phone: +41 (0)44 / 802 28 80
 Fax: +41 (0)44 / 802 28 28

GTS **TURKEY**
 Bayraktar Bulvarı Nutuk Sok. No:5
TR-34775 Yukarı Dudullu-Ümraniye-İSTANBUL
 Phone: +90 (0)216 526 39 90
 Fax: +90 (0)216 526 39 95

CSC Automation Ltd. **UKRAINE**
 4-B, M. Raskovoyi St.
UA-02660 Kiev
 Phone: +380 (0)44 / 494 33 55
 Fax: +380 (0)44 / 494-33-66

EURASIAN REPRESENTATIVES

TOO Kazpromavtomatika **KAZAKHSTAN**
 Ul. Zhambyla 28
KAZ-100017 Karaganda
 Phone: +7 7212 / 50 10 00
 Fax: +7 7212 / 50 11 50

MIDDLE EAST REPRESENTATIVES

ILAN & GAVISH Ltd. **ISRAEL**
 24 Shenkar St., Kiryat Arie
IL-49001 Petah-Tiqva
 Phone: +972 (0)3 / 922 18 24
 Fax: +972 (0)3 / 924 0761

TEXEL ELECTRONICS Ltd. **ISRAEL**
 2 Ha'umanut, P.O.B. 6272
IL-42160 Netanya
 Phone: +972 (0)9 / 863 39 80
 Fax: +972 (0)9 / 885 24 30

CEG INTERNATIONAL **LEBANON**
 Cebaco Center/Block A Autostrade DORA
Lebanon - Beirut
 Phone: +961 (0)1 / 240 430
 Fax: +961 (0)1 / 240 438

AFRICAN REPRESENTATIVE

CBI Ltd. **SOUTH AFRICA**
 Private Bag 2016
ZA-1600 Isando
 Phone: +27 (0)11 / 977 0770
 Fax: +27 (0)11 / 977 0761