

# **MELSEC A/Q Series**

Programmable Logic Controllers

User's Manual

## **AS-i Master Module A1SJ71AS92**

# ● SAFETY PRECAUTIONS ●

(Read these precautions before using.)

When using Mitsubishi equipment, thoroughly read this manual and the associated manuals introduced in this manual. Also pay careful attention to safety and handle the module properly.

These precautions apply only to Mitsubishi equipment. Refer to the CPU module user's manual for a description of the PC system safety precautions.

These ● SAFETY PRECAUTIONS ● classify the safety precautions into two categories: "DANGER" and "CAUTION".




**DANGER**

Procedures which may lead to a dangerous condition and cause death or serious injury if not carried out properly.



**CAUTION**

Procedures which may lead to a dangerous condition and cause superficial to medium injury, or physical damage only, if not carried out properly.

Depending on circumstances, procedures indicated by  **CAUTION** may also be linked to serious results. In any case, it is important to follow the directions for usage.

Store this manual in a safe place so that you can take it out and read it whenever necessary. Always forward it to the end user.

## [DESIGN PRECAUTIONS]

### **DANGER**

- If a communication error occurs in the AS-i system, the input will turn OFF from the slave having the communication error.  
Output to the slave with communication error will be held or cleared depending on the slave specifications.  
The AS-i system communication error can be confirmed with the buffer memory's List of Active Slaves (LAS) (15 to 16H, 75 to 76H) and with the input signal Config OK (X4, X9).  
Using the above information, configure an interlock circuit on the sequence program so that the system activates safely.  
There is a risk of accidents caused by incorrect outputs or incorrect operations.
- Depending on the unit fault, the input/output could enter the ON state or OFF state.  
Provide a circuit for external monitoring for input/output signals that could lead to major accidents.

### **CAUTION**

- Do not bundle AS-i cable together with main circuit or power lines, or lay them close to these lines.  
As a guide, separate these lines by a distance of at least 100 mm, otherwise malfunctions may occur due to noise.

[INSTALLATION PRECAUTIONS]

 **CAUTION**

- Use the PLC in an environment that conforms to the general specifications in CPU module user's manual.  
Using the PLC in the environments outside the ranges stated in the general specifications will cause electric shock, fire, malfunction, or damage to/deterioration of the product.
- Do not touch conductive parts or electronic components of the module with your bare hands.  
This could cause malfunction or failure of the module
- Install so that the pegs on the bottom of the module fit securely into the base unit peg holes.  
The module fixing screws must be tightened by the specified torque.  
Not installing the module correctly or tightening the screws to the terminal base could result in erroneous operation, damage, or pieces of the product falling.
- Always shut off all phases of the PLC power supply and AS-i power supply externally before mounting or removing the module.  
Failure to shut off all phases could lead to product damage.

[WIRING PRECAUTIONS]

 **DANGER**

- Switch off all phases of the PLC power supply and AS-i power supply outside the PLC before starting installing or wiring work.  
If all phases are not switched off, there will be a danger of electric shock or damage to the product.
- Always install the terminal covers enclosed with the product before turning ON the power or operating the product after installation or wiring.  
Failure to install the terminal cover could lead to electric shocks.

[WIRING PRECAUTIONS]

 **CAUTION**

- Always confirm the products terminal layout before wiring to the module.  
Incorrect wiring could lead to fires or faults.
- Tighten terminal screws to the specified torque.  
If a terminal screw is not tightened to the specified torque, the module may fall out, short circuit, or malfunction.  
If a terminal screw is tightened excessively, exceeding the specified torque, the module may fall out, short circuit, or malfunction due to breakage of the screw or the module.
- Make sure that no foreign matter such as chips or wire offcuts gets inside the module.  
It will cause fire, failure, or malfunction.
- AS-i cables connected to a module must always be run in a duct or held securely using clamps.  
If a cable is not run in a duct or not held securely using clamps, the cable will sag, move, or be pulled by mistake, which will cause damage to the module and the cable and also malfunctioning due to loose connection of the cable.
- When removing the AS-i cable from a module, do not pull it out by the cable.  
A cable loosen the screws that hold the cable onto the module then remove the cable.  
If the cable is pulled while it is connected to the module, the module and/or the cable will be damaged and may malfunction due to loose connection of the cable.

[STARTUP/MAINTENANCE PRECAUTIONS]

 **CAUTION**

- Do not touch terminals while the power is ON.  
This will cause malfunctions.
- Do not disassemble or modify any module.  
This will cause failure, malfunction, injuries, or fire.
- Switch off all phases of the PLC power supply and AS-i power supply outside the PLC before cleaning or re-tightening screws. If all phases are not switched off, the module may fail or malfunction.  
If a screw is not tightened securely, the module may fall out, short circuit, or malfunction.  
If a screw is tightened excessively, the module may fall out, short circuit, or malfunction due to breakage of the screw or the module.
- Switch off all phases of the PLC power supply and AS-i power supply outside the PLC before mounting or removing the module.  
If all phases are not switched off, the module may fail or malfunction.

[DISPOSAL PRECAUTIONS]

 **CAUTION**

- Dispose of this product as industrial waste.

REVISIONS

\* The manual number is given on the bottom left of the back cover.

Print Date	* Manual Number	Revision
Apr., 2000	SH (NA) 080085-A	First edition
Oct., 2000	SH (NA) 080085-B	<div style="border: 1px solid black; padding: 2px;">Addition</div> Appendix 2, Appendix 3 <div style="border: 1px solid black; padding: 2px;">Correction</div> Generic Terms and Abbreviations Used in Manual, Section 5.3

Japanese Manual Version SH-080084-B

This manual confers no industrial property rights or any rights of any other kind, nor does it confer any patent licenses. Mitsubishi Electric Corporation cannot be held responsible for any problems involving industrial property rights which may occur as a result of using the contents noted in this manual.

© 2000 MITSUBISHI ELECTRIC CORPORATION

## INTRODUCTION

Thank you for purchasing the Mitsubishi general-purpose programmable logic controller (PLC) MELSEC-A Series.

Please read this manual thoroughly before starting use to fully comprehend the functions and performance of the A Series PLC, and to ensure correct usage.

## CONTENTS

Safety Precautions .....	A- 1
Revision History.....	A- 5
Contents .....	A- 6
Compliance to EMC Directives and Low-Voltage Directives.....	A- 8
Generic Terms and Abbreviations Used in Manual .....	A- 8

<b>1. OVERVIEW</b>	<b>1- 1 to 1- 2</b>
1.1 Features .....	1- 2
1.2 Enclosed Parts .....	1- 2
<b>2. SYSTEM CONFIGURATIONS</b>	<b>2- 1 to 2- 4</b>
2.1 General Configuration.....	2- 1
2.2 Applicable CPU and No. of Mountable Modules.....	2- 2
2.3 AS-i System Connection Methods.....	2- 2
2.4 Precautions for System Configuration.....	2- 4
<b>3. SPECIFICATIONS</b>	<b>3- 1 to 3- 20</b>
3.1 General Specifications .....	3- 1
3.2 Performance Specifications .....	3- 2
3.3 Input/Output Signals for CPU module .....	3- 3
3.3.1 List of Input/Output Signals.....	3- 3
3.3.2 Details of Input/Output Signals .....	3- 4
3.4 Buffer Memory.....	3- 6
3.4.1 Buffer Memory List .....	3- 6
3.4.2 Details of Buffer Memory.....	3- 8
<b>4. SETTINGS AND PROCEDURES FOR OPERATION</b>	<b>4- 1 to 4- 15</b>
4.1 Outline Procedures for Operation.....	4- 1
4.2 Part Identification Nomenclature .....	4- 2
4.3 Details of LED displays .....	4- 3
4.3.1 17-segment LED .....	4- 3
4.3.2 LED display.....	4- 4
4.4 Mounting and Installation .....	4- 5
4.4.1 Precautions for Handling.....	4- 5
4.4.2 Installation Environment.....	4- 5

4.5 Connection to AS-i System.....	4- 6
4.5.1 Precautions for Wiring.....	4- 6
4.5.2 Wiring.....	4- 7
4.6 Start-up.....	4- 8
4.6.1 Initial Registration of Slaves.....	4- 9
4.7 Changing the Operation Mode .....	4- 10
4.7.1 Changing to the Protected Operation Mode.....	4- 10
4.7.2 Changing to the Configuration Mode.....	4- 10
4.8 Configuration Mode.....	4- 11
4.8.1 When A1SJ71AS92 is in Configuration Mode .....	4- 11
4.8.2 Operation to Add Slave Addresses .....	4- 11
4.8.3 Deleting Slave Addresses.....	4- 12
4.9 Protected Operation Mode.....	4- 13
4.9.1 When A1SJ71AS92 is in Protected Operation Mode .....	4- 13
4.9.2 Automatic Address Assignment.....	4- 13
4.9.3 Manual Address Assignment.....	4- 14
4.10 Display Message Numbers.....	4- 15

<b>5. PROGRAMMING</b>	<b>5- 1 to 5- 2</b>
-----------------------	---------------------

5.1 System Configuration.....	5- 1
5.2 Details of Operation .....	5- 1
5.3 Program Examples .....	5- 2

<b>6. TROUBLESHOOTING</b>	<b>6- 1 to 6- 2</b>
---------------------------	---------------------

6.1 Preparatory Check .....	6- 1
6.2 Error Check .....	6- 2
6.2.1 LED check .....	6- 2

<b>APPENDIX</b>	<b>A- 1 to A- 3</b>
-----------------	---------------------

Appendix 1 Outline Dimension Drawings.....	A- 1
Appendix 2 AS-i Protocol Implementation Conformance Statement (PICS) .....	A- 2
Appendix 3 Formula how to calculate the cycle time depending on the number of slaves.....	A- 3

<b>INDEX</b>	<b>INDEX- 1</b>
--------------	-----------------



### Compliance to EMC Directives and Low-Voltage Directives

For instructions to make the PLC compatible with EMC standards, refer to Chapter 3 "EMC AND LOW-VOLTAGE DIRECTIVE" in PLC CPU User's Manual (Hardware).

- \* If Chapter 3 "EMC AND LOW-VOLTAGE DIRECTIVE" is not provided in the User's Manual (Hardware Section) of the CPU module in use, refer to the Main QnA Series CPU Compatible High-Speed Accessing Basic Base Unit Additional Explanation for Product Conforming to EMC Standard (IB-66837) (optional).

### Generic Terms and Abbreviations Used in Manual

Unless noted in particular, the following generic terms and abbreviations are used to explain the A1SJ71AS92 type AS-i master module in this manual.

<b>Generic term/abbrev.</b>	<b>Details of generic term/abbreviation</b>
A1SJ71AS92	Abbreviation for A1SJ71AS92.
CPU module	Generic term for A1SJCPU-S3, A1SCPU, A2SCPU, A1SJHCPU (S8), A1SHCPU, A2SHCPU (S1), A2ASCPU (S1/S30), A2USHCPU-S1, Q2ASCPU (S1), Q2ASHCPU (S1), Q02CPU-A, Q02HCPU-A, Q06HCPU-A, Q02CPU, Q02HCPU, Q06HCPU, Q12HCPU and Q25HCPU.
Main base unit	Generic term for A1S32B, A1S33B, A1S35B, A1S38B, A1S38HB, QA1S35B and QA1S38B type main base unit.
Extension base unit	Generic term for A1S52B (S1), A1S55B (S1), A1S58B (S1), A1S65B (S1), A1S68B (S1), QA1S65B and QA1S68B type extension base unit.
Extension cable	Generic term for A1SC01B, A1SC03B, A1SC07B, A1SC12B, A1SC30B, A1SC60B, A1SC05NB, A1SC07NB, A1SC30NB, A1SC50NB, QC06B, QC12B, QC30B, QC50B and QC100B type extension cable.
Data link system	Generic term for MELSECNET, MELSECNETII and MELSECNET/B data link system.
Network system	Generic term for MELSECNET/10 network system.
LAS	Abbreviation for List of Active Slaves.
LDS	Abbreviation for List of Detected Slaves.
LPS	Abbreviation for List of Projected Slaves.
EC flag	Abbreviation for Execution Control flag.

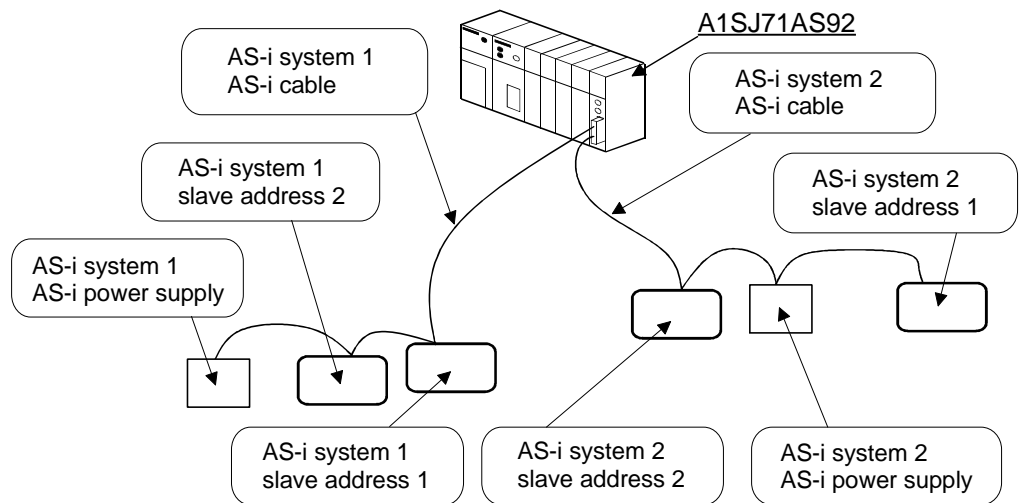
1 OVERVIEW

This manual explains the specifications, procedures for operation and troubleshooting of the A1SJ71AS92 type AS-i master module (hereinafter, A1SJ71AS92).

The AS-i is the abbreviation of the Actuator-Sensor-Interface, and is a network system specified by the IEC Standards: IEC-62026-2.

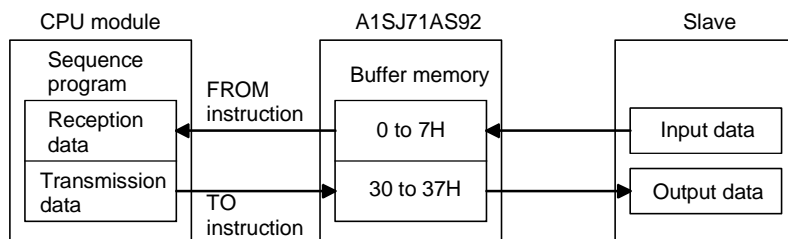
The A1SJ71AS92 is compatible with the AS-Interface Specification Version 2.04, and can be used as the master module of the AS-i system.

Refer to IEC 62026-2 for details on the specifications related to the AS-i system described in this manual.



Use AS-i cables, AS-i power supply units and slaves that complies with the AS-Interface Specification Version 2.04.

The CPU module transmits and receives the slave's input/output data via the A1SJ71AS92 buffer memory using the FROM/TO instructions.



## 1.1 Features

1

The A1SJ71AS92 has the following features.

(1) Automatic slave address assignment function (Automatic address assignment function)

When a fault occurs in a slave (when one of the set slaves is not recognized), the A1SJ71AS92 can automatically assign the slave address of a slave similar to the faulty slave, for which the slave address is set to 0, as the slave address for the faulty slave.

(2) Maximum number of connected slaves

The A1SJ71AS92 can control up to 31 slave modules per AS-i system. The A1SJ71AS92 can control two systems.

(The maximum number of input/output points per slave is 4 input points and 4 output points.)

(3) Overall distance

The overall distance is 100m.

Note that the overall distance can be extended to up to 300m by using two repeaters.

(4) Input/output signal refresh time

The refresh time for the input/output signals is approx. 5ms when using the maximum number of input/output points.

## 1.2 Enclosed Parts

After opening the A1SJ71AS92 package, confirm that the following products are enclosed.

Type	Part name	Qty.
A1SJ71AS92	A1SJ71AS92 type AS-i master module	1
Manual	A1SJ71AS92 type AS-i Master Module User's Manual (Hardware)	1

## 2 SYSTEM CONFIGURATIONS

The configuration of the PLC system that can be combined with the A1SJ71AS92 is explained in this section.

### 2.1 General Configuration

The configuration for assembling the PLC into the AS-i system with the A1SJ71AS92 is shown below.

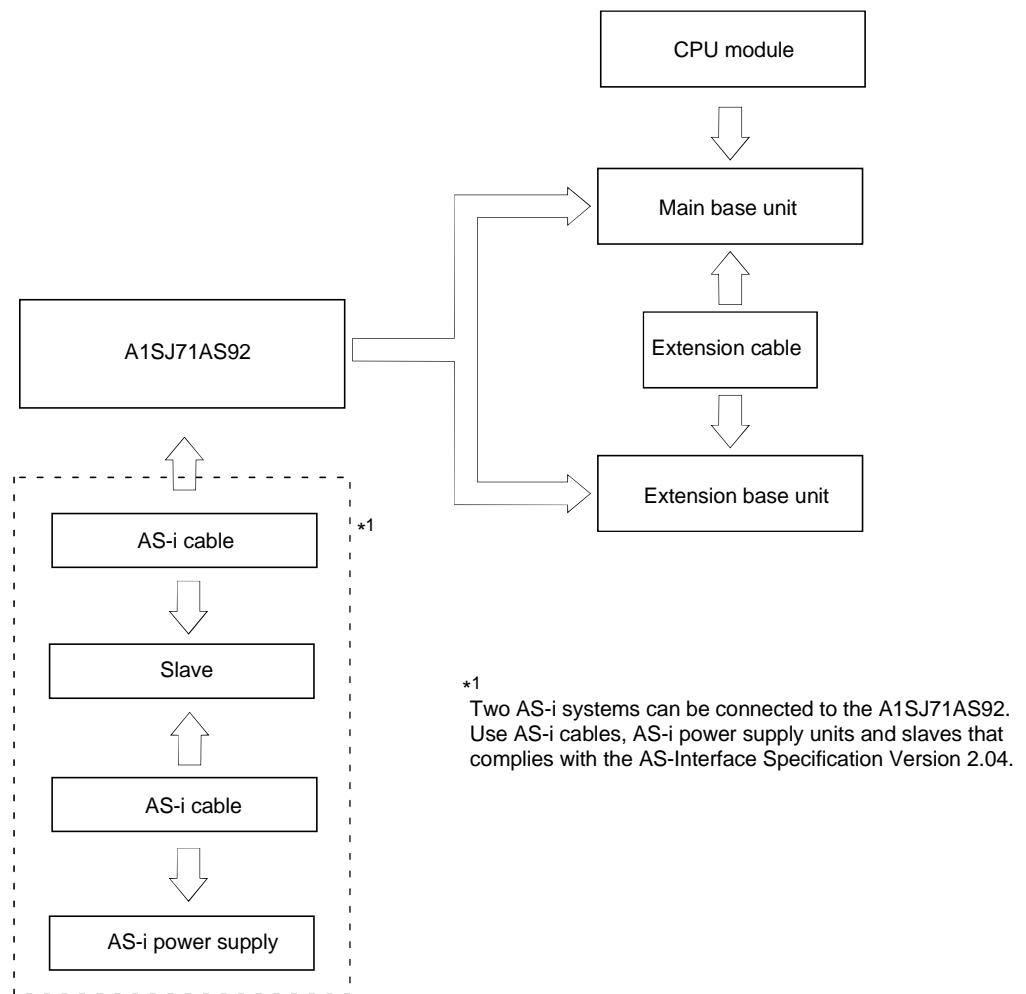


Fig. 2.1 System configuration drawing

2.2 Applicable CPU and No. of Mountable Modules

The A1SJ71AS92 can be used with the following CPU modules.

Applicable CPU	No. of mountable modules
A1SJCPU-S3, A1SCPU, A2SCPU	No limits *1
A1SJHCPU (S8), A1SHCPU, A2SHCPU (S1)	
A2ASCPU (S1/S30), A2USHCPU-S1	
Q2ASCPU (S1), Q2ASHCPU (S1)	
Q02CPU-A, Q02HCPU-A, Q06HCPU-A	
Q02CPU, Q02HCPU, Q06HCPU, Q12HCPU, Q25HCPU *2	

\*1 : The A1SJ71AS92 can be used within the maximum number of input/output point range of the CPU module in use.

\*2 : The A1SJ71AS92 can be mounted only on the extension base unit (QA1S65B, QA1S68B).

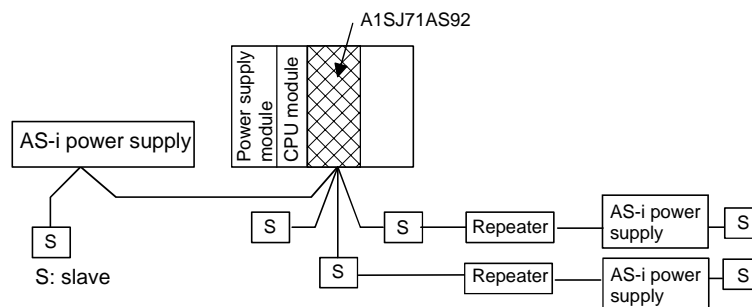
2.3 AS-i System Connection Methods

The following methods can be used to connect the AS-i system.

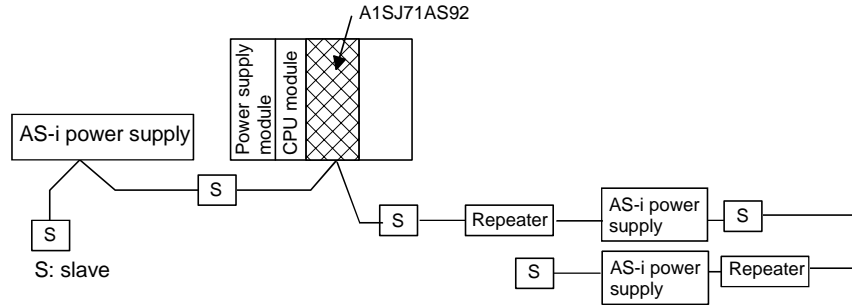
- (1) The star method, line method, tree method or ring method can be used to connect the AS-i system.
- (2) The AS-i system does not require a terminator. The overall distance is 100m when a repeater is not used, and 300m when two repeaters are used.
- (3) One AS-i power supply unit is connected to the AS-i system. The power supply can be connected at any place on the AS-i system. When using a repeater, connect an AS-i power supply unit after the repeater is connected.

Examples of each connection method are shown below.

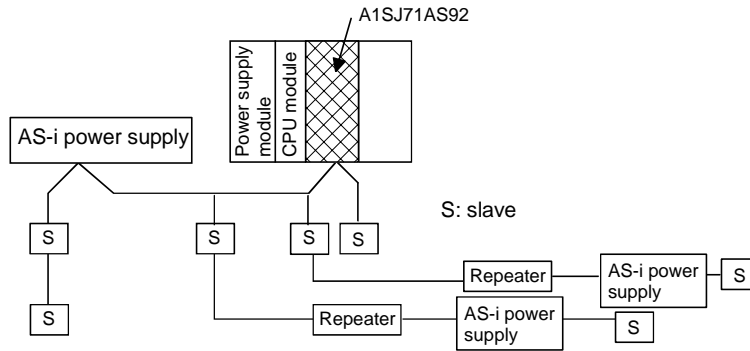
- (1) Star method



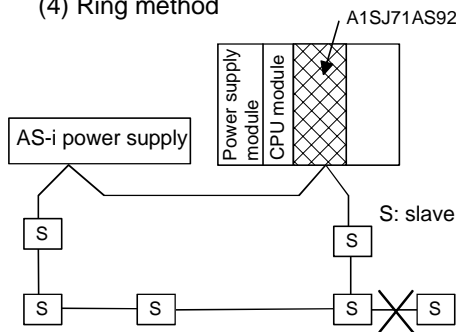
(2) Line method



(3) Tree method



(4) Ring method



(Note)

The system cannot be branched to a tree connection, etc., from the ring connection. A partial loop cannot be formed. A repeater cannot be used.

## 2.4 Precautions for System Configuration

- (1) The A1SJ71AS92 can be mounted in a random slot of the base unit.

Note that when using the Q02CPU, Q02HCPU, Q06HCPU, Q12HCPU or Q25HCPU module, the A1SJ71AS92 can be mounted only on the extension base unit (QA1S65B, QA1S68B).

If the A1SJ71AS92 is mounted on an extension base unit (A1S52B (S1), A1S55B (S1), A1S58B (S1)) to which the power supply module cannot be mounted, the power supply capacity may be insufficient.

- (2) The A1SJ71AS92 can be used as the master station or local station in a data link system, and as a control station or normal station in the network system.

The A1SJ71AS92 cannot be used as the remote I/O station in the data link system or network system.

### 3 SPECIFICATIONS

The general specifications and performance specifications of the A1SJ71AS92 are given in this section.

#### 3.1 General Specifications

The general specifications of the A1SJ71AS92 are shown below.

Table 3.1 General specifications

3

Item	Specification					
Working ambient temperature	0 to 55°C					
Storage ambient temperature	-20 to 75°C					
Working ambient humidity	10 to 90%RH, with no dew condensation					
Storage ambient humidity	10 to 90%RH, with no dew condensation					
Vibration resistance	JIS B 3501, IEC 61131- 2 compliant	When there is intermittent vibration	Frequency	Acceleration	Amplitude	No. of sweeps  10 times each in X, Y and Z directions (for 80 minutes)
			10 to 57Hz	—	0.075mm	
		When there is continuous vibration	10 to 57Hz	—	0.035mm	
			57 to 150Hz	9.8m/s <sup>2</sup>	—	
Impact resistance	JIS B 3501, IEC 61131-2 compliant (147m/s <sup>2</sup> , 3 times each in X, Y and Z directions)					
Working atmosphere	No corrosive gases					
Working altitude	2000m or less					
Installation place	Inside control panel					
Overvoltage category * <sup>1</sup>	II or less					
Degree of contamination * <sup>2</sup>	2 or less					

\*<sup>1</sup>: Indicates to which power distribution section from the public power distribution network to the in-plant machine device, the device is assumed to be connected to.  
Category II applies to a device fed power from a fixed facility.  
The withstand surge voltage level for a device with a rating up to 300V is 2500V.

\*<sup>2</sup>: Exponential indicating the degree of conductive matter generated in the environment where device is used.  
In the degree of contamination level 2, only non-conductive contaminants are generated. However, temporary conductivity could occur due to rare condensation.



## 3.2 Performance Specifications

The A1SJ71AS92 performance specifications are shown below.

Table 3.2 Performance Specifications

Item		Specification
Number of AS-i systems		Two systems
Maximum number of AS-i slaves		62 (31 × 2 systems)
Maximum number of AS-i system input/output points	Input	248 points (124 points × 2 systems)
	Output	248 points (124 points × 2 systems)
Input/output refresh time		Approx. 5ms (when maximum number of input/output points are connected)
Communication speed		167kbps
Transmission distance		Maximum 100m/system (Maximum 300m when two repeaters are used)
Connection type		Bus network type, independent for each system.(Star, line, tree or ring)
Communication method		APM modulation method (Alternating Pulse Modulation)
Error control method		Parity check
Internal memory		Flash ROM (for registering slave configuration) Number of reads/writes: 10000 times or less
Number of occupied input/output points		32 points (I/O assignment: special 32 points)
Applicable wire		Use AS-i cables
Applicable crimp terminal		R2-3.5, RAV 2-3.5, RAP 2-3.5, RBV 2-3.5, RBP 2-3.5 (JIS C2805 compliant)
External power supply	Voltage	30.5VDC (supplied independently to each system from AS-i power supply)
	Current consumption	70mA/system (TYP 30.5VDC)
5VDC internal current consumption		0.15A
Weight		0.30kg

## 3.3 Input/Output Signals for CPU module

## 3.3.1 List of Input/Output Signals

A list of A1SJ71AS92 input/output signals is shown in Table 3.3.  
The input/output signal assignment shows the case for when the A1SJ71AS92 is mounted in slot 0 of the main base unit.

Table 3.3 List of input/output signals

Signal direction: CPU module ← A1SJ71AS92		Signal direction: CPU module → A1SJ71AS92	
Input signal	Signal name	Output signal	Signal name
X0	Watchdog Timer Error (WDT error)	Y0	Not used
X1	Unit Ready	Y1	
X2	Not used	Y2	
X3	Not used	Y3	
X4	Config OK AS-i 1	Y4	
X5	AS-i Power Fail AS-i 1	Y5	
X6	Normal Operation Active AS-i 1	Y6	
X7	Configuration Mode AS-i 1	Y7	
X8	Not used	Y8	
X9	Config OK AS-i 2	Y9	
XA	AS-i Power Fail AS-i 2	YA	
XB	Normal Operation Active AS-i 2	YB	
XC	Configuration Mode AS-i 2	YC	
XD	Not used	YD	
XE		YE	
XF		YF	
X10	Not used	Y10	Not used
X11		Y11	
X12		Y12	
X13		Y13	
X14		Y14	Off-line Phase AS-i 1
X15		Y15	Automatic Address Assignment Function Valid AS-i 1
X16		Y16	Configuration Mode AS-i 1
X17		Y17	Protected Operation Mode AS-i 1
X18		Y18	Off-line Phase AS-i 2
X19		Y19	Automatic Address Assignment Function Valid AS-i 2
X1A		Y1A	Configuration Mode AS-i 2
X1B		Y1B	Protected Operation Mode AS-i 2
X1C		Y1C	Flash ROM write
X1D		Y1D	Refresh Instruction
X1E		Y1E	Not used
X1F		Y1F	

**Important**

The signals indicated as use prohibited in Table 3.3 are used by the system and cannot be used by the user.

If these are turned ON/OFF by the sequence program, correct operation of the module cannot be guaranteed.

### 3.3.2 Details of Input/Output Signals

The details of the A1SJ71AS92 input/output signals are explained below.

(1) X0: Watchdog Timer Error (WDT error)

This signal turns ON when a watchdog timer error occurs due to the A1SJ71AS92's self-diagnosis function.

OFF : Normal

ON : Watchdog timer error has occurred

(2) X1: Unit Ready

This signal turns ON when the A1SJ71AS92 enters the operation enabled state after the power is turned ON or the CPU module is reset.

OFF : Operation disabled

ON : Operation enabled

(3) X4, X9: Config OK (X4: AS-i 1, X9: AS-i 2)

This bit is used to check the setting error flag. If a setting error has occurred in the AS-i system, this bit will turn ON.

If this bit turns ON, check that the wiring is correct, and that the LPS is the same as the LDS.

OFF : No configuration error

ON : Configuration error found

(4) X5, XA: AS-i Power Fail (X5: AS-i 1, XA: AS-i 2)

This bit is used to check the AS-i power supply error flag. This bit turns ON if the power supplied by the AS-i power supply is insufficient.

If this bit turns ON, check the AS-i power supply current rating value, the wiring and the overall distance of the system.

OFF : AS-i power supply normal

ON : AS-i power supply abnormal

(5) X6, XB: Normal Operation Active (X6: AS-i 1, XB: AS-i 2)

This bit checks the operation state.

This bit turns ON when the A1SJ71AS92 is not in the normal operation state.

(Refer to section 4.6)

OFF : Normal operation

ON : Phase other than normal operation

- (6) X7, XC: Configuration Mode (X7: AS-i 1, XC: AS-i 2)  
 This bit checks the configuration mode.  
 This bit turns ON when the A1SJ71AS92 is in the configuration mode.  
 This bit turns OFF when the A1SJ71AS92 is in another mode. (Refer to section 4.6)  
 OFF : Mode other than configuration mode  
 ON : Configuration mode
- (7) Y14, Y18: Off-line Phase (Y14: AS-i 1, Y18: AS-i 2)  
 OFF → ON: The A1SJ71AS92 is set in the off-line phase.  
 ON → OFF: The status will change in order and change to normal operation.
- (8) Y15, Y19: Automatic Address Assignment Function Valid (Y15: AS-i 1, Y19: AS-i 2)  
 This sets the validity of the automatic address assignment function.  
 OFF: Automatic address assignment function valid  
 ON: Automatic address assignment function invalid
- (9) Y16, Y1A: Configuration Mode (Y16: AS-i 1, Y1A: AS-i 2)  
 OFF → ON: The A1SJ71AS92 is set in the configuration mode.  
 ON → OFF: The A1SJ71AS92 mode does not change.
- (10) Y17, Y1B: Protected Operation Mode  
 OFF → ON: The A1SJ71AS92 is set in the protected operation mode.  
 ON → OFF: The A1SJ71AS92 mode does not change.
- (11) Y1C: Flash ROM write  
 When this signal turns ON, the configuration data will be written into the flash ROM.

POINT
<p>(1) FROM/TO instructions to A1SJ71AS92 is not executed at the time of writing in the flash ROM.            A1SJ71AS92 might make an error if written in the flash ROM while executing the FROM/TO instruction.</p> <p>(2) Data can be written to the flash ROM 10,000 times.            If the number of writings exceeds 10,000 times, "F70" (flash ROM write error) will appear on the A1SJ71AS92's 17-segment LED.            If "F70" appears, a hardware error has occurred, so contact your nearest Mitsubishi representative.</p>

- (12) Y1D: Refresh instruction  
 This signal determines whether the contents of the "data output to slave" in buffer memory are valid.  
 OFF: Invalid (Only OFF data is transmitted to slave)  
 ON: Valid (The "output data to slave" in buffer memory are transmitted.)

## 3.4 Buffer Memory

## 3.4.1 Buffer Memory List

The list of the A1SJ71AS92's buffer memory is shown in Table 3.4.

Table 3.4 Buffer memory list

Address		Details	Read/write from CPU module
Hexa-decimal	Decimal		
0H	0	Input data from AS-i 1 slave 1 to 3 and part of EC Flags	Reading possible
1H	1	Input data from AS-i 1 slave 4 to 7	Reading possible
2H	2	Input data from AS-i 1 slave 8 to 11	Reading possible
3H	3	Input data from AS-i 1 slave 12 to 15	Reading possible
4H	4	Input data from AS-i 1 slave 16 to 19	Reading possible
5H	5	Input data from AS-i 1 slave 20 to 23	Reading possible
6H	6	Input data from AS-i 1 slave 24 to 27	Reading possible
7H	7	Input data from AS-i 1 slave 28 to 31	Reading possible
8H to FH	8 to 15	Not used	—
10H	16	EC Flags AS-i 1	Reading possible
11H to 12H	17 to 18	LDS AS-i 1	Reading possible
13H to 14H	19 to 20	Not used	—
15H to 16H	21 to 22	LAS AS-i 1	Reading possible
17H to 18H	23 to 24	Not used	—
19H to 1AH	25 to 26	LPS AS-i 1	Reading possible
1BH to 1CH	27 to 28	Not used	—
1DH to 1EH	29 to 30	List of slaves with configuration differences AS-i 1	Reading possible
1FH to 24H	31 to 36	Not used	—
25H to 29H	37 to 41	Command Buffer AS-i 1: <Result>	Reading possible
2AH to 2FH	42 to 47	Not used	—
30H	48	Output data from AS-i 1 slave 1 to 3	Writing possible
31H	49	Output data from AS-i 1 slave 4 to 7	Writing possible
32H	50	Output data from AS-i 1 slave 8 to 11	Writing possible
33H	51	Output data from AS-i 1 slave 12 to 15	Writing possible
34H	52	Output data from AS-i 1 slave 16 to 19	Writing possible
35H	53	Output data from AS-i 1 slave 20 to 23	Writing possible
36H	54	Output data from AS-i 1 slave 24 to 27	Writing possible
37H	55	Output data from AS-i 1 slave 28 to 31	Writing possible
38H to 48H	56 to 57	Not used	—
49H to 4AH	73 to 74	LPS AS-i 1	Writing possible
4BH to 54H	75 to 84	Not used	—
55H to 59H	85 to 89	Command Buffer AS-i 1: <Command>	Writing possible
5AH to 5FH	90 to 95	Not used	—

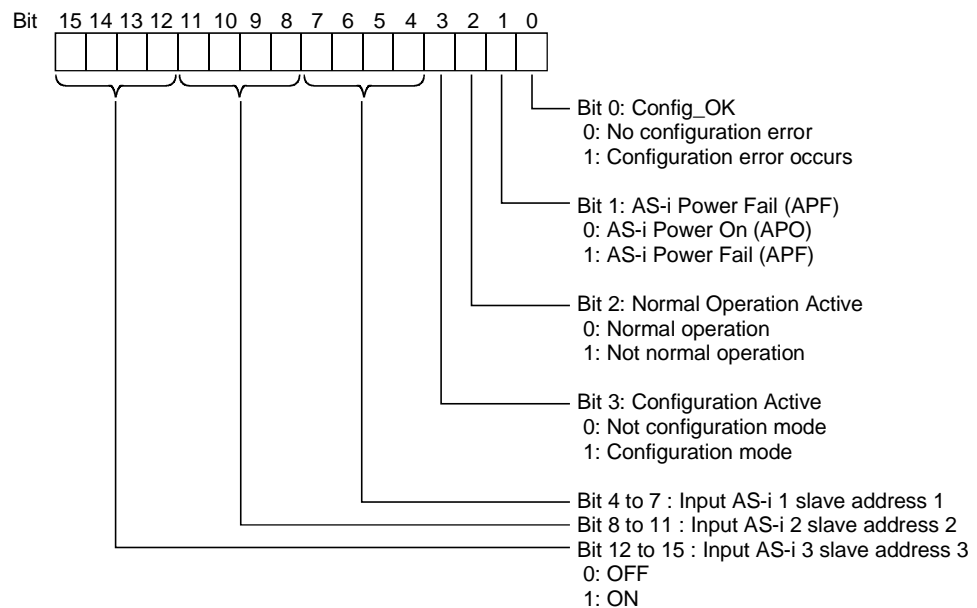
Address		Details	Read/write from CPU module
Hexa-decimal	Decimal		
60H	96	Input data from AS-i 2 slave 1 to 3 and part of EC Flags	Reading possible
61H	97	Input data from AS-i 2 slave 4 to 7	Reading possible
62H	98	Input data from AS-i 2 slave 8 to 11	Reading possible
63H	99	Input data from AS-i 2 slave 12 to 15	Reading possible
64H	100	Input data from AS-i 2 slave 16 to 19	Reading possible
65H	101	Input data from AS-i 2 slave 20 to 23	Reading possible
66H	102	Input data from AS-i 2 slave 24 to 27	Reading possible
67H	103	Input data from AS-i 2 slave 28 to 31	Reading possible
68H to 6FH	104 to 111	Not used	—
70H	112	EC Flags AS-i 2	Reading possible
71H to 72H	113 to 114	LDS AS-i 2	Reading possible
73H to 74H	115 to 116	Not used	—
75H to 76H	117 to 118	LAS AS-i 2	Reading possible
77H to 78H	119 to 120	Not used	—
79H to 7AH	121 to 122	LPS AS-i 2	Reading possible
7BH to 7CH	123 to 124	Not used	—
7DH to 7EH	125 to 126	List of slaves with configuration differences AS-i 2	Reading possible
7FH to 84H	127 to 132	Not used	—
85H to 89H	133 to 137	Command Buffer AS-i 2: <Result>	Reading possible
8AH to 8FH	138 to 143	Not used	—
90H	144	Output data from AS-i 2 slave 1 to 3	Writing possible
91H	145	Output data from AS-i 2 slave 4 to 7	Writing possible
92H	146	Output data from AS-i 2 slave 8 to 11	Writing possible
93H	147	Output data from AS-i 2 slave 12 to 15	Writing possible
94H	148	Output data from AS-i 2 slave 16 to 19	Writing possible
95H	149	Output data from AS-i 2 slave 20 to 23	Writing possible
96H	150	Output data from AS-i 2 slave 24 to 27	Writing possible
97H	151	Output data from AS-i 2 slave 28 to 31	Writing possible
98H to A8H	152 to 168	Not used	—
A9H to AAH	169 to 170	LPS AS-i 2	Writing possible
ABH to B4H	171 to 180	Not used	—
B5H to B9H	181 to 185	Command Buffer AS-i 2: <Command>	Writing possible
BAH	186	Not used	—

## 3.4.2 Details of Buffer Memory

The details of each item in the buffer memory, shown in Table 3.4 of section 3.4.1 are explained below.

- (1) AS-i 1 slave addresses 1 to 3 input data, and some EC flags  
(Buffer memory address: 0H)  
[AS-i 2 slave addresses 1 to 3 input data, and some EC flags (Buffer memory address: 60H)]

Example: Buffer memory address 0H



(a) Bit 0: Config\_OK

This bit is for checking the configuration error flag. When a configuration error occurs in AS-Interface system, this bit is ON. If this bit is ON, check whether wiring is correct or LPS is the same as LDS.

(Corresponds to input signal X4 and X9.)

(b) Bit 1: AS-i Power Fail (APF)

This bit is for checking the AS-Interface Power Fail flag. When the AS-i power supply is insufficient, this bit is ON. If this bit is ON, check the current rating of AS-i power supply, wiring and, total distance of system.

(Corresponds to input signal X5 and XA.)

(c) Bit 2: Normal Operation Active

This bit is for checking normal operation. When A1SJ71AS92 is not in normal operation, this bit is ON. (Corresponds to input signal X6 and XB.)

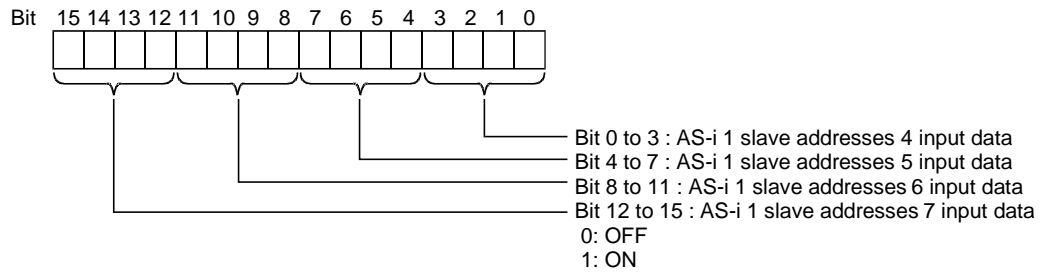
(d) Bit 3: Configuration Active

This bit is for checking configuration mode. When A1SJ71AS92 is in configuration mode, this bit is ON. When A1SJ71AS92 is in other modes, this bit is OFF. (Corresponds to input signal X7 and XC.)

- (e) Bit 4 to 7 : Input AS-i 1 slave address 1
- (f) Bit 8 to 11 : Input AS-i 1 slave address 2
- (g) Bit 12 to 15 : Input AS-i 1 slave address 3

- (2) AS-i 1 slave addresses 4 to 31 input data (Buffer memory address: 1H to 7H)  
 [AS-i 2 slave addresses 4 to 31 input data (Buffer memory address: 61H to 67H)]

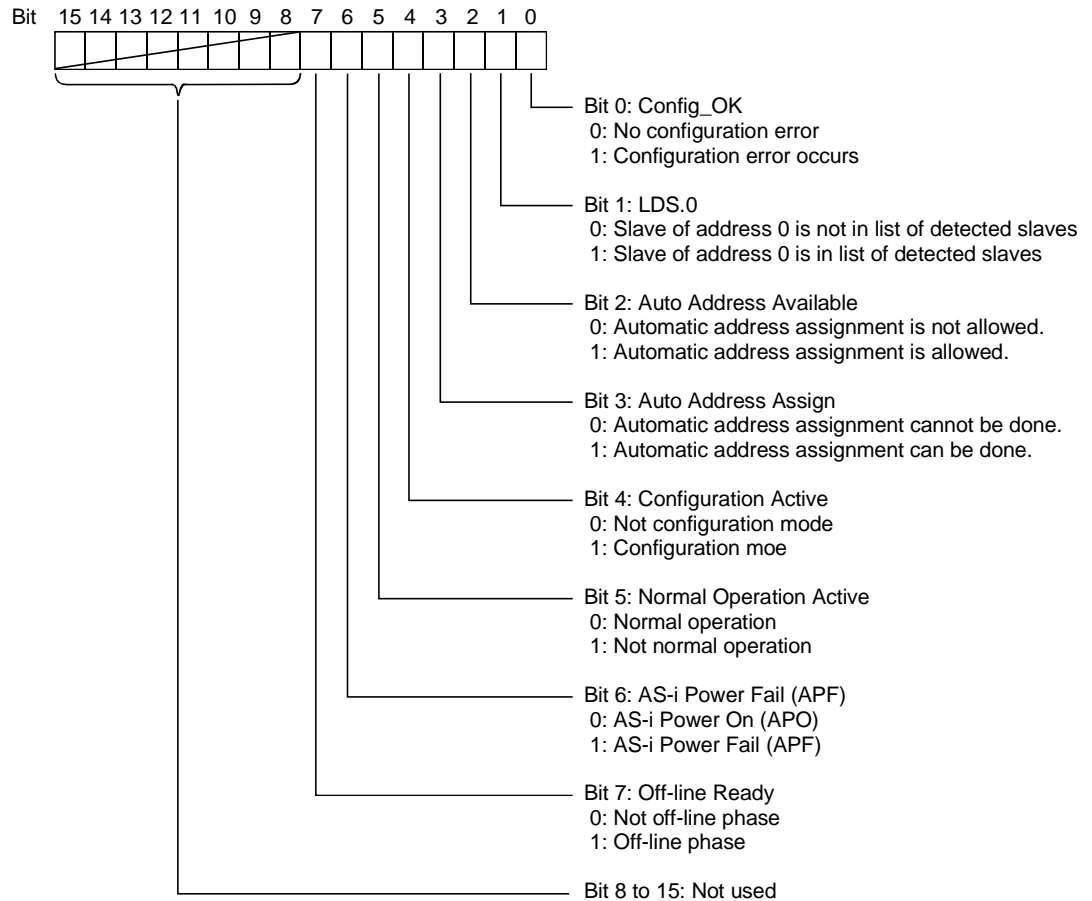
Example: Buffer memory address 1H





(3) AS-i 1 EC flag (Buffer memory address: 10H)  
 [AS-i 2 EC flags (Buffer memory address: 70H)]

Example: Buffer memory address 10H

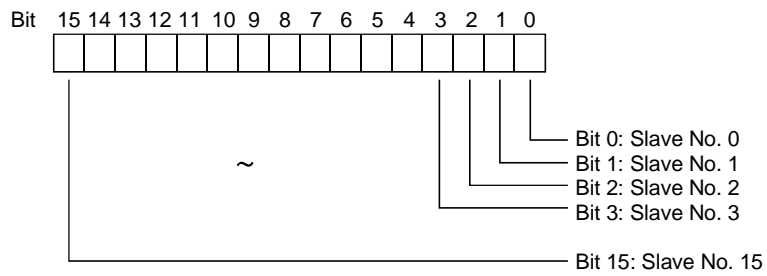


- (a) Bit 0: Config\_OK  
 Refer to section 3.4.2 (1) (a).
- (b) Bit 1: LDS. 0  
 This bit is for checking the slave having address 0. The slave of address 0 is a reserved slave. When A1SJ71AS92 has detected slave 0, this bit is ON.
- (c) Bit 2: Automatic address assignment function valid  
 This bit is for checking status of the automatic address assignment. When the automatic address assignment is allowed in the protected operating mode, this bit is ON.
- (d) Bit 3: Auto Address Assign  
 This bit is for checking if the Automatic Address Assignment is possible. This is the state in which the automatic address assignment is allowed and only one of the configured slaves is not recognized in the protected operating mode. In this case, this bit is ON.

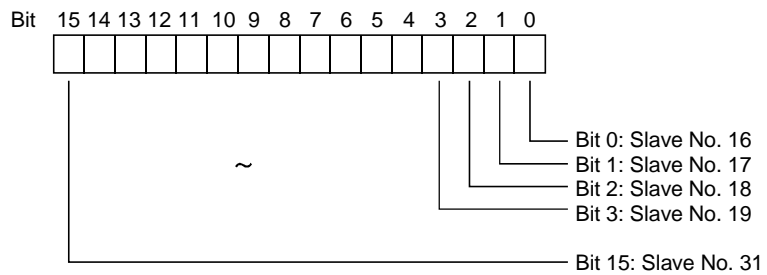
- (e) **Bit 6: Configuration Active**  
Refer to section 3.4.2 (1) (d).
- (f) **Bit 7: Normal Operation Active**  
Refer to section 3.4.2 (1) (c).
- (g) **Bit 8: AS-i Power Fail (APF)**  
Refer to section 3.4.2 (1) (b).
- (h) **Off-line Ready**  
This bit is for checking off-line phase. When A1SJ71AS92 is in the off-line phase, this bit is ON.

(4) **AS-i 1 LDS (Buffer memory address: 11H to 12H)**  
[AS-i 2 LDS (Buffer memory address: 71H to 72H)]

Example: Buffer memory address 11H



Example: Buffer memory address 12H

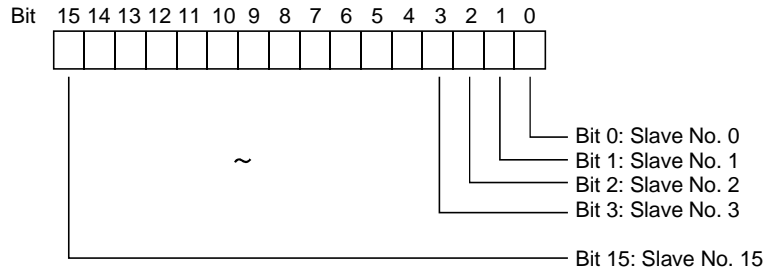


In this list one bit is set for each slave (0 to 31) that is detected by A1SJ71AS92 (through the start up).

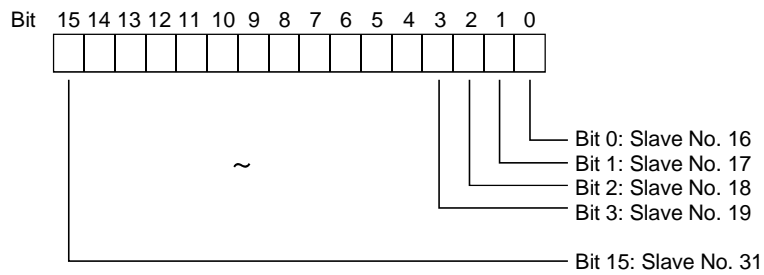
When the bit is ON, the system has the slave which corresponds to the bit. If the bit is OFF, the system does not have the slave which corresponds to the bit.

(5) AS-i 1 LAS (Buffer memory address: 15H to 16H)  
 [AS-i 2 LAS (Buffer memory address: 75H to 76H)]

Example: Buffer memory address 15H



Example: Buffer memory address 16H



In this list one bit is set for each activated slave (1 to 31).

When the bit is ON, the slave corresponding to the bit is active in the system. If the bit is OFF, the slave corresponding to the bit is not active in the system.

List of active slaves are detected as follows:

(a) Activation phase

This phase activates the slave(s) which A1SJ71AS92 found in the detection phase.

(b) In the configuration mode

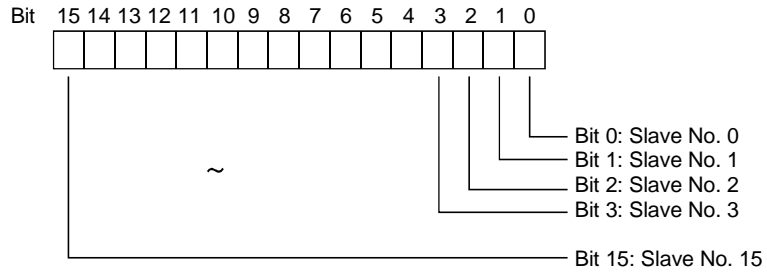
LAS is same as LDS, i.e. a detected slave always becomes an active slave.

(c) In the protected operating mode

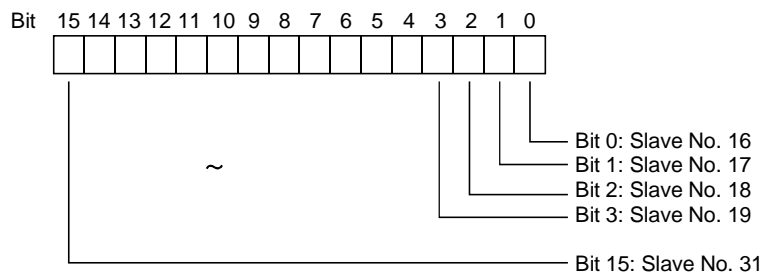
LAS consists of the slave that are ON in both the LDS and PLS, i.e. an active slave is both a detected slave and a projected slave.

(6) AS-i 1 LPS (Buffer memory address: 19H to 1AH)  
 [AS-i 2 LPS (Buffer memory address: 79H to 7AH)]

Example: Buffer memory address 19H



Example: Buffer memory address 1AH

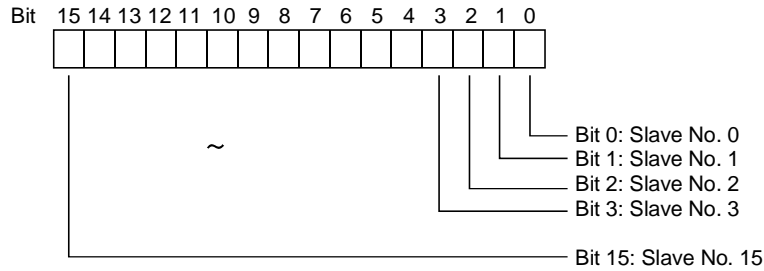


In this list one bit is status for each projected slave (1 to 31) in A1SJ71AS92. If the bit is ON, the slave corresponding to the bit is activated in the system. If the bit is OFF, the slave corresponding to the bit is not activated in the system.

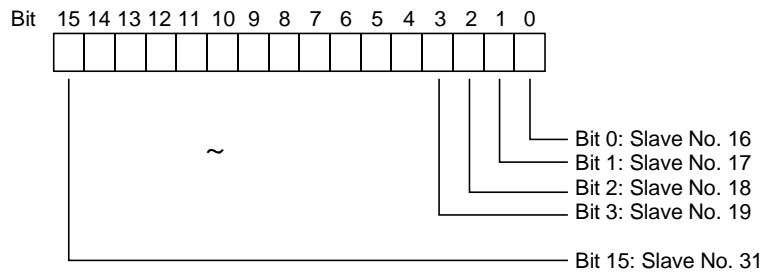
The data in the A1SJ71AS92 flash ROM is displayed when the PLC system power is turned ON.

- (7) List of slaves that differ from AS-i 1 settings  
 (Buffer memory address: 1DH to 1EH)  
 [List of slaves that differ from AS-i 2 settings  
 (Buffer memory address: 7DH to 7EH)]

Example: Buffer memory address 1DH



Example: Buffer memory address 1EH



The result of exclusive OR of the result of the logical sum of LDS, LPS and LAS is stored in this list. The result of “(LDS | LPS)^LAS” is displayed.

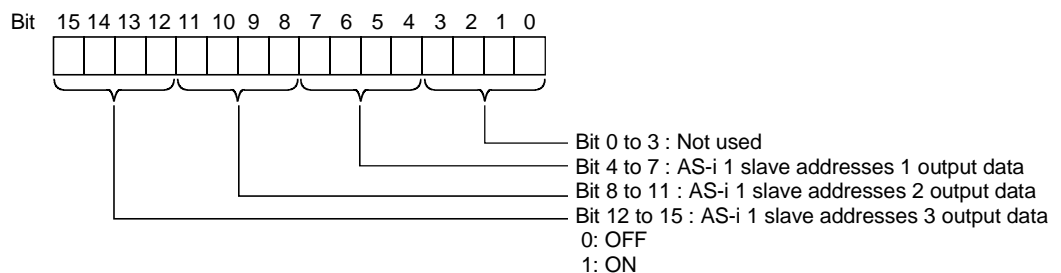
Example:

Bit	15	14	13	12	-
LDS(12H)	1	1	1	1	
LAS(16H)	0	1	0	1	
LPS(1AH)	1	1	0	1	
1EH	1	0	1	0	

LPS,LAS and LPS were collated, so this bit was turned on due to the disagreement.  
 0: OFF  
 1: ON

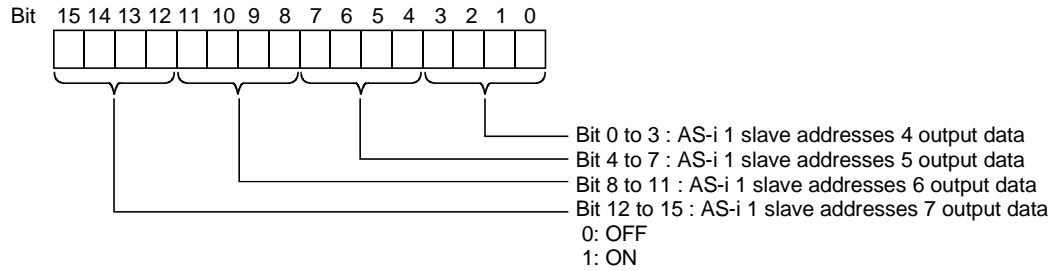
- (8) Data output to AS-i 1 slave addresses 1 to 3  
 (Buffer memory address: 30H)  
 [Data output to AS-i 2 slave addresses 1 to 3  
 (Buffer memory address: 90H)]

Example: Buffer memory address 30H



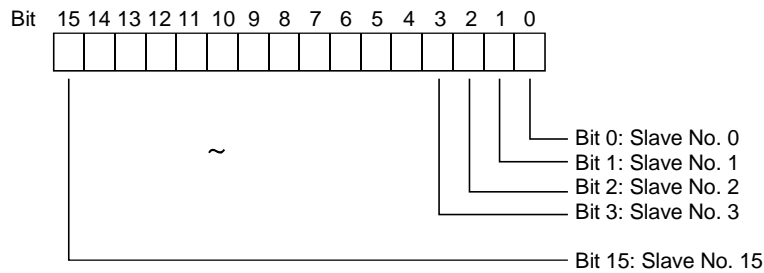
- (9) Data output to AS-i 1 slave addresses 4 to 31  
 (Buffer memory address: 31H to 37H)  
 [Data output to AS-i 2 slave addresses 4 to 31  
 (Buffer memory address: 91H to 97H)]

Example: Buffer memory address 31H

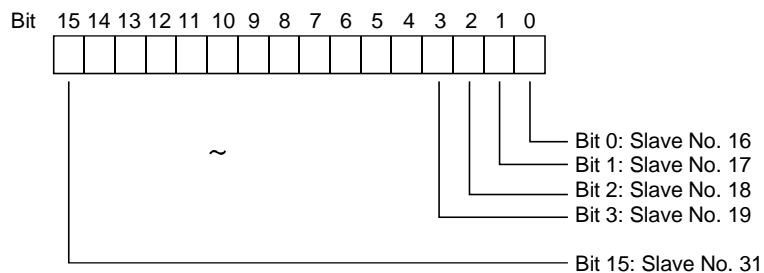


- (10) AS-i 1 LPS (Buffer memory address: 49H to 4AH)  
 [AS-i 2 LPS (Buffer memory address: A9H to AAH)]

Example: Buffer memory address 49H



Example: Buffer memory address 4AH



In this list, each bit corresponds to the state of the LPS (1 to 31) in the A1SJ71AS92.

When the A1SJ71AS92 is set to the configuration mode (Y16: ON), and the bit turns ON, the details will be reflected onto the LPS of the buffer memory 19H to 1AH (79H to 7AH).

**POINT**

LPS is handled in 32 bit units by A1SJ71AS92.  
 Even if A1SJ71AS92 writes the data only to buffer memory 49H, the contents of the buffer memory 4AH also becomes effective.

(11) AS-i 1 command buffer <command>  
(Buffer memory address: 55H to 59H)

[AS-i 2 command buffer &lt;command&gt; (Buffer memory address: B5H to B9H)]

Buffer memory address		Item
AS-i 1	AS-i 2	
0055H	00B5H	AS-i 1 command buffer <command>
0056H	00B6H	AS-i 1 command buffer <data word 0>
0057H	00B7H	AS-i 1 command buffer <data word 1>
0058H	00B8H	AS-i 1 command buffer <data word 2>
0059H	00B9H	AS-i 1 command buffer <data word 3>

By using the Command Buffer, programmable controller is able to instruct the A1SJ71AS92. If the programmable controller writes data in Command Buffer <command> the A1SJ71AS92 reads the Command Buffer <command> and, if necessary, one to three Data Words. The result is set to "08". If the desired command is executed by the A1SJ71AS92, the result is set and, the value is no longer "08". Results with data are transmitted in Data Word 0 to 3

POINT
After Data Words are set in the buffer memory first, Command Buffer is set in the buffer memory when there are Data Words 0 to 3 when Command Buffer is used.

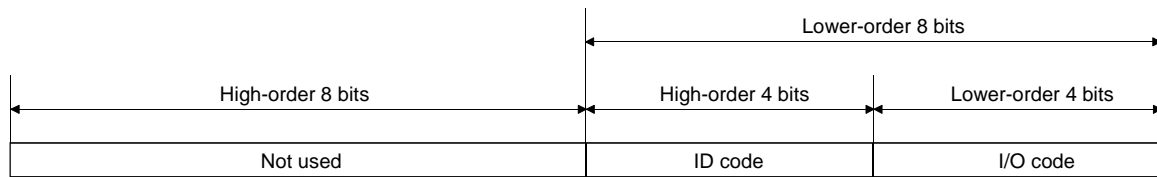
Command Code	Details	Usage state
01 to 1FH	Writes data word 0 to the actual parameter * <sup>1</sup> in the AS-i slave n (n = "Command Code"). And reads the actual parameter form AS-i slave n to data word 0.	Normal operation
41 to 5FH	Reads the actual parameter * <sup>1</sup> from AS-i slave n (n = "Command Code" - 40H) to data word 0.	Normal operation, Off-line phase
91 to 9FH	Writes data word 0 to permanent parameter * <sup>1</sup> in the AS-i slave n (n = "Command Code" - 80H).	Normal operation, Off-line phase
C1 to DFH	Reads the permanent parameter * <sup>1</sup> from AS-i slave n (n = "Command Code" - C0H) to data word 0.	Normal operation, Off-line phase
101 to 11FH	Reads actual configuration * <sup>2</sup> from AS-i slave n (n = "Command Code" - 100H) to data word 0.	Normal operation
141 to 15FH	Writes data word 0 to permanent configuration * <sup>3</sup> in the AS-i slave n (n = "Command Code" - 140H)	Configuration mode
181 to 91FH	Reads the permanent configuration * <sup>3</sup> from AS-i slave n (n = "Command Code" - 180H) to data word 0.	Normal operation, Off-line phase
1C0H	Reads the counter of APF from AJ71AS92 to Data Word 0. And clear this value. (AS-i Power Fail)	Normal operation
1C1 to 1DFH	Reads counter of erroneous answers from AS-i slave n to Data Word 0. And clear this value. (n = "Command Code" - 1C0H)	Normal operation
200H	Change AS-i slave (LPS) with address n to m. (n = Data Word 0, m = Data Word 1).	Normal operation, Off-line phase
201H	Store actual AS-i configuration <This command copies LAS to LPS. And store actual configuration to permanent configuration, too.>	Configuration mode
202H	Store actual AS-i parameters to permanent configuration.	Normal operation, Off-line phase
203H	Validation/invalidation of SET switch and MODE switch, 0: Valid (default), 1: Invalid * <sup>4</sup>	Normal operation
204H	Read list of corrupted slaves from A1SJ71AS92 to Data Word 0 and 1, And clear this list.	Normal operation, Off-line phase

\*1 : The meaning of this parameter is slave's parameter bits.

Actual parameter	Parameter of target slave
Permanent parameter	Sets slave parameter

\*2 : The meaning of this parameter is slave's parameter bits. This contains the actual copies of the input/output configuration and the identification code of all slaves, determined by reading this data from the slaves. The configuration data of inactive slave is set to default values ("FF <Hex>").

Actual configuration	I/O code, ID code held by slave
Permanent configuration	I/O code, ID code held by master



\*3 : This contains the projected input/output configuration and identification code of all slaves determined by the slave configuration of the A1SJ71AS92 using the Command Code "141 to 15FH" or by the Command Code "201FH". The permanent configuration data of slaves that are not projected shall be set to default values ("FF <Hex>"). This data is stored in Flash ROM.

\*4 : It is effective/is nullified this Command Code regardless of 1 system or 2 systems.



(12) AS-i 1 command buffer <result>  
(Buffer memory address: 25H to 29H)

[AS-i 2 command buffer <result> (Buffer memory address: 85H to 89H)]

Buffer memory address		Item
AS-i 1	AS-i 2	
0025H	0085H	AS-i 1 command buffer <result>
0026H	0086H	AS-i 1 command buffer <data word 0>
0027H	0087H	AS-i 1 command buffer <data word 1>
0028H	0088H	AS-i 1 command buffer <data word 2>
0029H	0089H	AS-i 1 command buffer <data word 3>

By using the Command Buffer, programmable controller is able to instruct the A1SJ71AS92. If the programmable controller writes data in Command Buffer <command> the A1SJ71AS92 reads the Command Buffer <command> and, if necessary, one to four Data Words. The result is set to "08". If the desired command is executed by the A1SJ71AS92, the result is set and, the value is no longer "08". Results with data are transmitted in Data Word 0 to 3

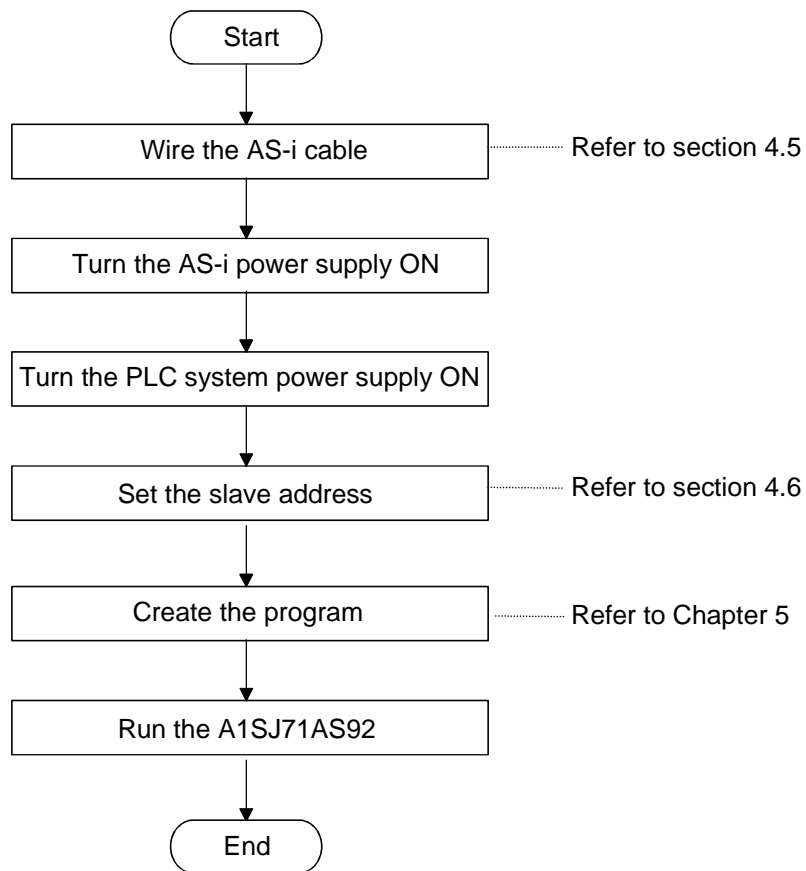
Results value	Details
00	Command did not execute.
01	OK (Command executed.)
02	The address of the Slave which wants to change does not exist.
03	A slave already exists in address 0.
04	This address already has a slave.
05	This slave cannot be deleted.
06	This slave address cannot be set.
07	The slave address cannot be written to the slave's EEPROM.
08	Command Word pending
09	The Command Word not recognized.
0A	The value of Data Word exceeds the range of setting.

## 4 SETTINGS AND PROCEDURES FOR OPERATION

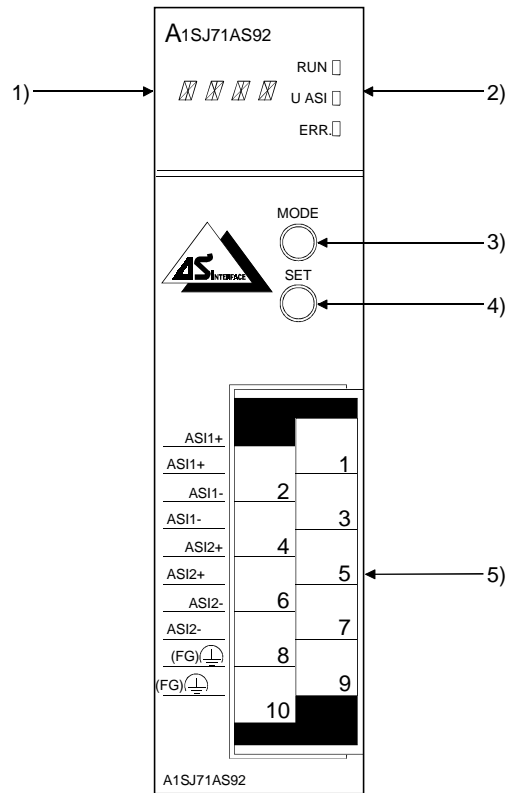
The procedures, names of each part, installation, connection to the AS-i system and settings for using the AS-i system with the A1SJ71AS92 are explained in this section.

### 4.1 Outline Procedures for Operation

The procedures for using the A1SJ71AS92 with the AS-i system are shown in the following flow chart.



4.2 Part Identification Nomenclature



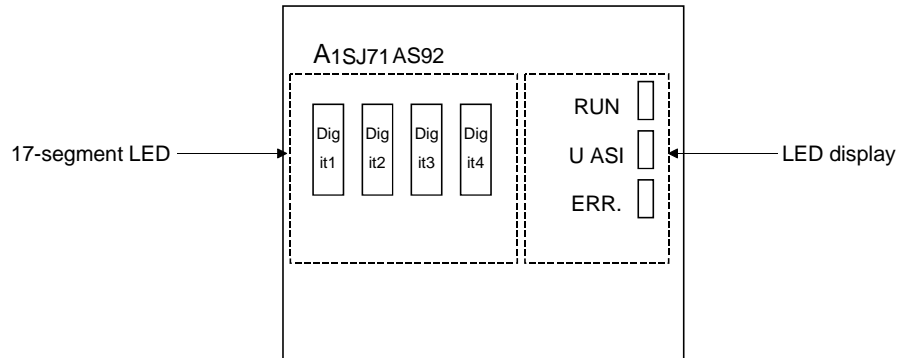
4

• The terminal block has two FG terminals that are connected internally.

No.	Name	Details
1)	17-segment LED	The operation status of the A1SJ71AS92 is displayed as a value. (Refer to section 4.3.1.)
2)	LED display	The operation status of the A1SJ71AS92 is shown by turning ON or OFF. (Refer to section 4.3.2.)
3)	MODE switch	This switch is used to change between the protected operation mode and configuration mode.
4)	SET switch	This switch is used to set or delete the slave address.
5)	Terminal block	This is connected to the AS-i system with an AS-i cable.

### 4.3 Details of LED displays

The A1SJ71AS92 LEDs display the following details.



In protected mode the displays of the A1SJ71AS92 are switched over from AS-i circuit 1 to AS-i circuit 2 in a measure of 5 seconds.

In configuration mode all detected AS-i slaves are displayed at first, before the MODE/SET switches to the other AS-i circuit.

The operation of the MODE/SET switches is always related to the currently displayed AS-i circuit (Digit 1 of the display). After a MODE/SET switch was pressed the display stays with the respective AS-i circuit until the operation is finished or the operator has not interfered for 10 seconds.

#### 4.3.1 17-segment LED

- (1) Digit1 : AS-i 1/ AS-i 2. Switching of Digit2 to 4 and push buttons between the two AS-i systems.  
If this digit shows '1', all displays and button operations are related to AS-i system 1, otherwise (showing '2') AS-i system 2.
- (2) Digit2 : This digit refers to the AS-i line shown on digit 1.  
Showing 'C' : A1SJ71AS92 is in Configuration Mode  
Showing ' ' : A1SJ71AS92 is in Protected Mode but conditions for 'P' are not fulfilled.  
Showing 'P' : A1SJ71AS92 is in Configuration Mode and automatic address programming is enabled. Exactly one slave is missing in protected operating mode. The slave can be replaced by another slave of the same type with address zero. The A1SJ71AS92 addresses the new slave to the faulty address and thus eliminates the configuration error.  
Showing 'E' : Internal error  
Showing 'F' : Hardware error
- (3) Digit3/4 : Higher/lower digit of the Address/Error display. This digit refers to the AS-i line shown on digit 1.

### 4.3.2 LED display

- RUN : This turns ON when the A1SJ71AS92 is running normally.
- U ASI : The AS-i circuit is sufficiently powered. This LED refers to the AS-i line shown on digit 1.
- ERR. : Configuration error. This LED refers to the AS-i line shown on digit 1.

## 4.4 Mounting and Installation

The precautions to be observed when handling the A1SJ71AS92 from unpacking to installation, and the installation environment are explained in this section.

Refer to the User's Manual of the CPU module being used for details on the A1SJ71AS92 mounting and installation.

### 4.4.1 Precautions for Handling

 **CAUTION**

- Use the PLC in an environment that conforms to the general specifications in CPU module user's. Using the PLC in the environments outside the ranges stated in the general specifications will cause electric shock, fire, malfunction, or damage to/deterioration of the product.
- Install so that the pegs on the bottom of the module fit securely into the base unit peg holes. The module fixing screws must be tighten by the specified torque. Not installing the module correctly or tightening the screws to the terminal base could result in erroneous operation, damage, or pieces of the product falling.
- Always shut off all phases of the PLC power supply and AS-i power supply externally before mounting or removing the module. Failure to shut off all phases could lead to product damage.
- Do not touch conductive parts or electronic components of the module with your bare hands. This could cause malfunction or failure of the module

(1) The module case and terminal block are made of resin, so take care not to drop or apply strong impacts.

(2) Tighten the module installation screws, terminal block installation screws and terminal block terminal screws within the following range.

Screw position	Tightening torque range
Module installation screw (M4)	78 to 118 N·m
Terminal block installation screw	35.3 to 48 N·m
Terminal block terminal screw	60.8 to 82.3 N·m

### 4.4.2 Installation Environment

Refer to the User's Manual of the CPU module being used for details on the installation environment.

## 4.5 Connection to AS-i System

The items to observe when connecting the A1SJ71AS92 to the AS-i system, and the wiring methods are explained in this section.

### 4.5.1 Precautions for wiring

 **DANGER**

- Switch off all phases of the PLC power supply and AS-i power supply outside the PLC before starting installing or wiring work.  
If all phases are not switched off, there will be a danger of electric shock or damage to the product.
- Always install the terminal covers enclosed with the product before turning ON the power or operating the product after installation or wiring.  
Failure to install the terminal cover could lead to electric shocks.

 **CAUTION**

- Always confirm the products terminal layout before wiring to the module.  
Incorrect wiring could lead to fires or faults.
- Tighten terminal screws to the specified torque.  
If a terminal screw is not tightened to the specified torque, it the module may fall out, short circuit, or malfunction.  
If a terminal screw is tightened excessively, exceeding the specified torque, the module may fall out, short circuit, or malfunction due to breakage of the screw or the module.
- Make sure that no foreign matter such as chips or wire offcuts gets inside the module.  
It will cause fire, failure, or malfunction.
- AS-i cables connected to a module must always be run in a duct or held securely using clamps.  
If a cable is not run in a duct or not held securely using clamps, the cable will sag, move, or be pulled by mistake, which will cause damage to the module and the cable and also malfunctioning due to loose connection of the cable.
- When removing the AS-i cable from a module, do not pull it out by the cable.  
A cable loosen the screws that hold the cable onto the module then remove the cable.  
If the cable is pulled while it is connected to the module, the module and/or the cable will be damaged and may malfunction due to loose connection of the cable.

(1) The overall distance is up to 100m.

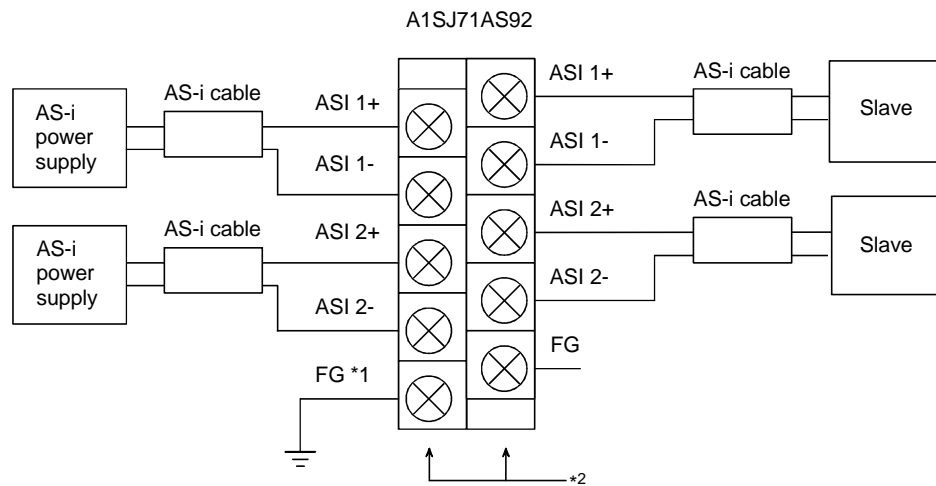
When using a repeater, the distance can be extended by 100m per repeater.

Up to two repeaters can be used, so the maximum overall distance is 300m.

4.5.2 Wiring

Use an AS-i cable to connect the A1SJ71AS92 to the AS-i system.

An example of wiring to the A1SJ71AS92 is shown below.  
 (Confirm each module being used for the AS-i power supply and slave terminal layout.)



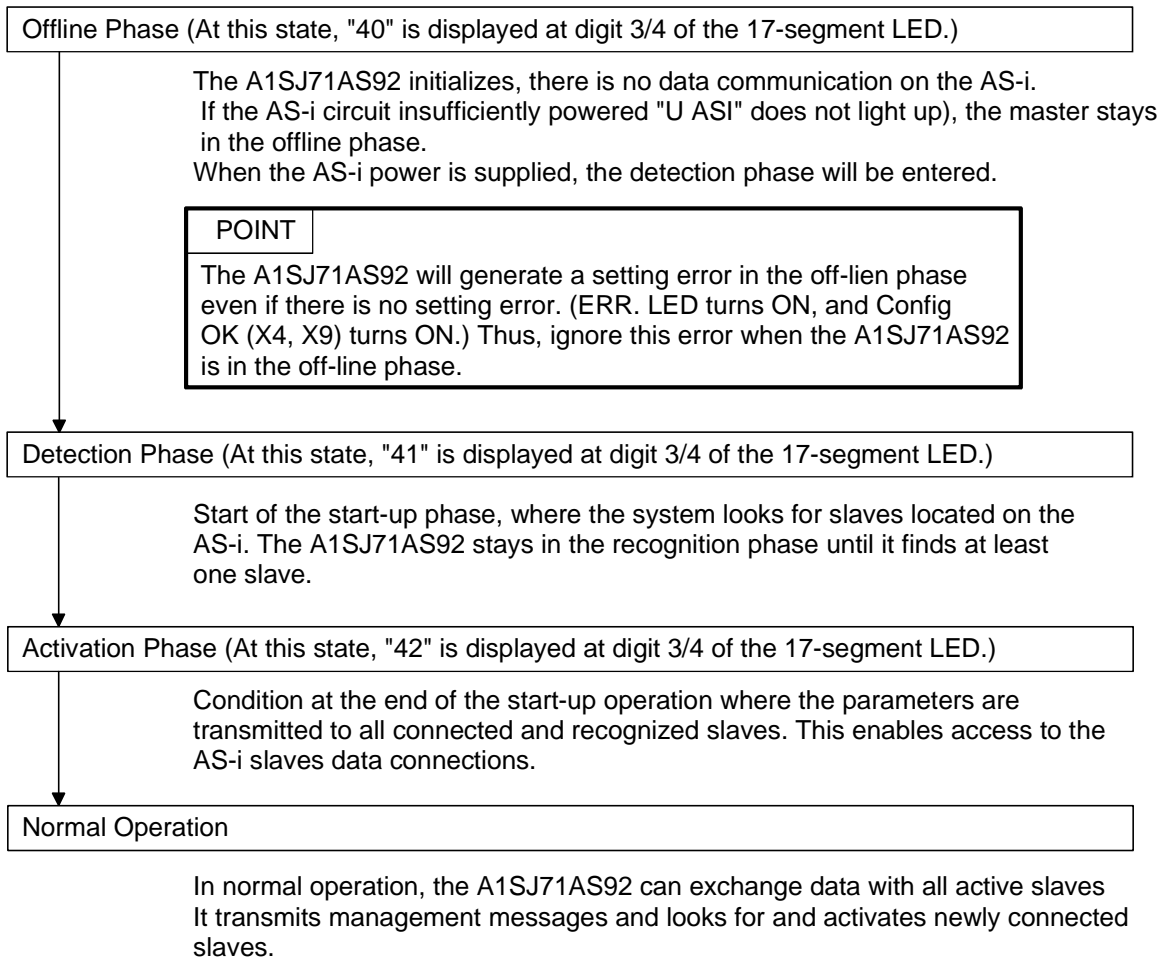
\*1 : When the noise environment is bad, the terminal FG is grounded.

\*2 : The terminal of the same signal name is connected internally with a right terminal and a left terminal.



## 4.6 Start-Up

When the PLC power is turned ON, the A1SJ71AS92 will turn ON the 17-segment LED and all LED displays for approx. one second. After that, the LED display will show the flag state. The 17-segment LED will show the AS-i system state.



The normal operations include the protected operation mode and configuration mode. If there is a slave that can communicate with the A1SJ71AS92 during the start up, the A1SJ71AS92 will enter the mode registered in the flash ROM.

The protected operation mode and configuration mode can be changed by operating the A1SJ71AS92 switch or writing a command from the CPU module. (Refer to section 4.7.)

## (1) Configuration mode

This mode communicates without registering the slave configuration.

The slave address is set with this mode.

Communication is carried out with all detected slaves, excluding the slave detected as slave address 0.

## (2) Protected operation mode

This mode communicates after registering the slave configuration.

Communication is carried out only with the slave for which the registered confirmation and LDS match and the slave that matches the configuration data set by the actual configuration data.

### 4.6.1 Initial Registration of Slaves

The method for registering the slave detected by the A1SJ71AS92 in the normal operation is explained in this section.

The slave is registered into the A1SJ71AS92 with steps (1) and (2) below.

Note that if the power is reset or if the CPU is reset, the data registered in the A1SJ71AS92 will be cleared.

To prevent the data from being cleared, carry out step (3). The data will be written into the A1SJ71AS92's flash ROM.

To start in the configuration mode when the power is turned ON, skip step (1) and start from step (2).

(1) Press the MODE switch for 5 or more seconds. (Enter the configuration mode.)

(2) Press the MODE switch again for 5 or more seconds. (Enter the protected operation mode.)

The slave configuration will be registered in the protected operation mode.

(3) The CPU module is put into the state of STOP, and press the MODE switch and SET switch simultaneously for 5 seconds. (Register into the flash ROM.)

When A1SJ71AS92 completes registration, 17-segment LED displays "OK", other LED are turned off and start from an offline phase again.

The next time the power is turned ON or when the CPU module is reset, the communication will be carried out with the contents registered in the flash ROM.

POINT
(1) Please put the CPU module into the state of STOP at the time of writing in flash ROM. A1SJ71AS92 might make an error if the slave composition when the CPU module is RUN is written in flash ROM.
(2) Data can be written to the flash ROM 10,000 times. If the number of writings exceeds 10,000 times, "F70" (flash ROM write error) will appear on the A1SJ71AS92's 17-segment LED. If "F70" appears, a hardware error has occurred, so contact your nearest Mitsubishi representative.

## 4.7 Changing the Operation Mode

The method for changing between the protected operation mode and configuration mode operations is explained in this section.

The mode of the A1SJ71AS92 can be changed by pressing the MODE switch or by setting the mode from the CPU module.

The method of changing the mode with the MODE switch is explained in this section.

The operation mode can be changed with the output signals (Y16, Y17, Y1A, Y1B) from the CPU module. (Refer to section 3.3.)

### 4.7.1 Switching to Protected Operation Mode

The configuration mode is ended by pressing the MODE switch. The mode changes to protected operating mode. At this time, A1SJ71AS92 follows these rules for pressing the MODE switch.

(1) Less than 5 seconds

A1SJ72AS92 exits the configuration mode without copying the actual configuration to permanent configuration.

(2) More than 5 seconds

A1SJ71AS92 exits the configuration mode simultaneously copying the actual configuration to permanent configuration. At this time, A1SJ71AS92 stores this configuration to LPS, and 17-segment LED's Digit2 is turned off, too.

POINT
(1) When the protected operation mode has been entered by pressing the switch for 5 seconds or more, the startup explained in section 4.6 will be carried out again. Thus, the slave output will turn OFF when starting up due to the mode changeover.
(2) If the A1SJ71AS92 recognizes a slave with address 0 on the AS-i system, it can not leave the configuration mode.

### 4.7.2 Switching to Configuration Mode

The Protected operation mode is ended by pressing the MODE switch for more than 5 seconds. The mode changes to Configuration mode.

The A1SJ71AS92 will display "C" at digit 2 of the 17-segment LED.

If the MODE switch is not pressed for 5 seconds, the configuration mode will not be entered.

## 4.8 Configuration Mode

The operation of the configuration mode is explained in this section.  
This mode is for setting the slave address number.

### 4.8.1 Operating the A1SJ71AS92 in Configuration Mode

In the configuration mode, the 17-segment LED's Digit2 displays "C".

(1) For active slave

All recognized slave are activated with the exception of slave 0 when desired and actual configurations do not match.

(2) Displayed message

A1SJ71AS92 displays the slave address of all slaves entered in the 17-segment LED's Digit3/4 at a speed of two per second. If the display is empty, the list is empty, i.e. no slaves were recognized.

### 4.8.2 Operation to Add Slave Addresses

This operation assign an available address to slave with address 0.

- (1) The slave addresses of all recognized slaves are displayed one after the other in 17-segment LED.
- (2) To display the next higher available operating address, press the SET switch. Each time pressing the SET switch, the next available address is displayed. If SET or MODE switch is not pressed for 10 seconds or more, A1SJ71AS92 returns to the state of the display of (1).
- (3) Set the displayed address as the target address by pressing the switch for more than 5 seconds. The address display blinks.
- (4) Pressing the SET switch again reprograms a connected slave with address 0 to the blinking address.  
(The address is stored in the slave's non-volatile memory.)
- (5) If error code did not display, the 17-segment LED displays the list of detected slaves again as described.

### 4.8.3 Delete Slave Address

This operation assign address 0 to a recognized slave.

- (1) The slave addresses of all recognized slaves are displayed one after the other in 17-segment LED.
- (2) Display the deleted Slave address.  
Pressing SET switch for more than 5 seconds while the slave address which wants to be deleted displayed, this slave is reprogrammed to address 0 again, and the Digit3/4 shows "00".  
("0" is stored in the slave's non-volatile memory.)
- (3) When releasing the switch, the 17-segment LED continues to display the list of detected slaves.

## 4.9 Protected Operation Mode

The operation of the protected operation mode is explained in this section.  
This mode is used to normally run the A1SJ71AS92.

### 4.9.1 Operating A1SJ71AS92 in Protected Operation

In the Protected Operation mode, the 17-segment LED's Digit2 lights off. And, the following is done.

(1) For active slave

Only slaves that are entered on the LPS and whose actual configurations match the permanent configurations will be activated.

(2) Displayed message

The display is either blank or displays the address of faulty assignment.

If the SET switch is pressed in protected operating mode while there is not actual configuration error, the last slave address which caused an configuration error is displayed, or "39" is displayed.

### 4.9.2 Automatic Address Assignment

The automatic address programming is A1SJ71AS92 allocate the address which automatically fails in address 0 when one of the configured slaves is not recognized in the protected operating mode. For automatic address programming, the following requirements are necessary.

- (1) The A1SJ71AS92 is necessary in protected operating mode.
- (2) The automatic address assignment is allowed.
- (3) Only one of the configured slaves is not recognized.

When these requirements are fulfilled, a slave with address 0 will be automatically assigned the operating address of the missing slave.

If the address is not to be assigned automatically, manually assign the addresses as explained in section 4.9.3.

<b>POINT</b>
--------------

If the two slaves have different configuration data (different slave type), the automatic address assignment is not executed.
---

### 4.9.3 Manual Address Assignment

If several slaves fail, they cannot be replaced automatically by the A1SJ71AS92. Set their necessary addresses manually. If you do not want to set their addresses via CPU module, you can set them with the switch and the 17-segment LED. In the protected operating mode, wrong assignments are displayed as errors.

The latter method is explained in this section. For the former method, use the command buffer command code "200". (Refer to section 3.4.2 (11).)

An incorrect assignment in the protected operation mode will be indicated as an error.

- (1) By pressing the SET switch, you can display all faulty assignments one after the other.
- (2) By pressing the SET switch for more than 5 seconds, you can select the currently displayed address as a potential target address, and the display starts to blink. If the faulty slave was previously replaced by a slave with address 0, the new slave can now be programmed for the blinking address by pressing the SET switch again. As a requirement, the new slave's configuration data must match the configuration data for the blinking address.
- (3) After the address has been successfully set, the next faulty assignment is displayed or the display erased.

## 4.10 Display Message Numbers

The A1SJ71AS92 indicates the A1SJ71AS92 state with the following numbers on the 17-segment LED.

No.	Details
0 to 31	Slave address
39	The last reason for setting Config_OK to zero was entering offline Phase
40	A1SJ71AS92 is in offline phase
41	A1SJ71AS92 is in detection phase
42	A1SJ71AS92 is in activation phase
F50	Fatal hardware error : Consult Mitsubishi representative.
F70	Fatal hardware error : The Flash ROM cannot be written to. Consult Mitsubishi representative.
F72	Fatal hardware error : Consult Mitsubishi representative.
F73	Fatal hardware error : Consult Mitsubishi representative.
E51	Internal error : There are too many FROM/TO commands, or the command execution interval is short. Correct the sequence program.
E52	Internal error : Consult Mitsubishi representative.
E53	Internal error : Consult Mitsubishi representative.
E80	Slave with address zero detected. The system attempted to exit the configuration mode with a slave zero or the user tried to change a slave address while a slave with address zero was connected.
E81	General error while changing a slave address.
E82	Front panel operation blocked. Until the next power-up the only way of accessing the A1SJ71AS92 is via the PLC interface.
E90	Error while changing a slave address in protected operating mode. No slave with address 0 present.
E91	Error while changing slave address. Target address is already occupied.
E92	Error while changing slave address. New address could not be set.
E93	Error while changing slave address. New address could only be stored volatile in the slave.
E94	Error while changing slave address in protected operating mode. Slave has wrong configuration information.
E95	Error while changing slave address in protected operating mode. The configuration error is cause by one slave too many.
PROG	Flash ROM is being written. (Because writing will be completed in a short time, this message is hardly displayed in 17-segment LED.)
OK	Flash ROM writing completion.
XXXX	Display test while starting up the A1SJ71AS92.



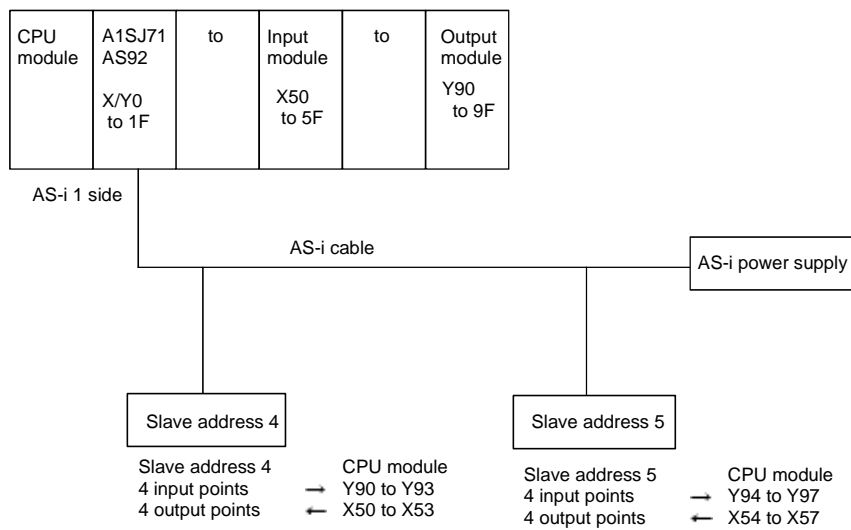
## 5 PROGRAMMING

The program used to exchange the slave input/output information with the A1SJ71AS92 is explained in this section with a programming example.

### 5.1 System Configuration

With this program example, the information in the slave input/output is exchanged with the following system configuration.

The A1SJ71AS92 is mounted in slot 0 of the main base unit.



### 5.2 Details of Operation

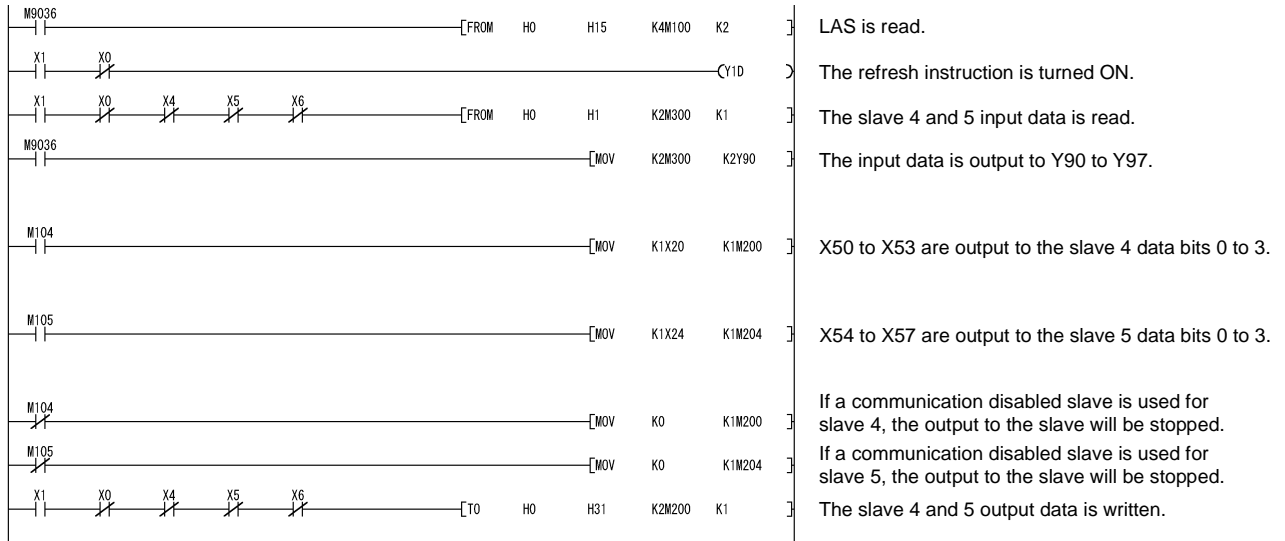
The following operations are carried out with the system shown in section 5.1.

- (1) The CPU module inputs X50 to X53 are output to the slave address 4 output data.
- (2) The CPU module inputs X54 to X57 are output to the slave address 5 output data.
- (3) The slave address 4 input data is output to the CPU module outputs Y90 to Y93.
- (4) The slave address 5 input data is output to the CPU module outputs Y94 to Y97.

**REMARK**

Even if a configuration error occurs, the input/output control will be executed to the slave that can communicate.

5.3 Program Examples



Explanation of devices

- X0 : Watchdog timer error (Normally OFF)
- X1 : Unit ready (Normally ON)
- X4 : AS-i 1 Config OK (Normally OFF)
- X5 : AS-i 1 AS-i Power Fail (Normally OFF)
- X6 : AS-i 1 Normal Operation Active (ON during normal operation)
- M104 : ON when slave address 4 can communicate
- M105 : ON when slave address 5 can communicate
- M144 : ON when slave address 4 can communicate
- M145 : ON when slave address 5 can communicate
- M200 to M203 : Data output to slave address 4
- M204 to M207 : Data output to slave address 5
- M300 to M303 : Data input from slave address 4
- M304 to M307 : Data input from slave address 5

## 6 TROUBLESHOOTING

The troubleshooting methods to be taken when a fault occurs in the A1SJ71AS92 are explained in this section.

### 6.1 Preliminary Checks

First check the following items when checking the A1SJ71AS92.

- (1) Check "RUN" and "U ASI" LED.
  - If "RUN" LED of A1SJ71AS92 is OFF, check whether the power supply is supplied to PLC.
  - If "U ASI" LED is OFF, check the current rating of AS-i power supply, wiring and, total distance of system.
- (2) Check the 24VDC power supply for slave.

If whether this power supply capacity is not enough or miss-wiring is, the slave is not normal operation.
- (3) Check "ERR." LED.
  - If "ERR." LED is ON, check the wiring about the slave.
- (4) Check total slave number.
  - If total slave number is more than 32, please remove an unnecessary slave and adjust the number of total slaves to 31 or less.
- (5) Check whether it is an intended slave configuration.
  - If it is not so, please remake slave configuration.
- (6) Check total extension distance
  - The total extension distance must not exceed 100m. however, when the repeater is used, it is possible to extend by 100m repeater. Repeaters can be used up to two system.

## 6.2 Error Checking

If the A1SJ71AS92 does not seem to operate normally, check the following items.

### 6.2.1 LED Check

Check the status of the LEDs for the A1SJ71AS92 as follows.

#### (1) Check the status of the "RUN" LED

Status	Details
Lit.	There is a power supply of PLC.
Off	Check does the power supply of PLC.

#### (2) Check the status of the "U SAI" LED.

Status	Details
Lit.	AS-i power supply is OK.
Off	Check the wiring and capacity about AS-i power supply.

#### (3) Check the status of the "ERR." LED.

Status	Details
Lit.	Existing slave was lost or response was lost from slave, so that the mismatch occurred in LPS and LDS. Check the following points.
Off	Slave configuration status is OK.

- Check the status of the slave.  
Refer to the slave manual for the confirmation methods.  
If the slave break, please replace the slave.
- Check the wiring for the slave. If the wire break, please exchange the cable.
- Check type of slave (permanent configuration of slave and actual configuration of slave). If type of slave is different type, please replace the slave, or please remake permanent configuration of slave.

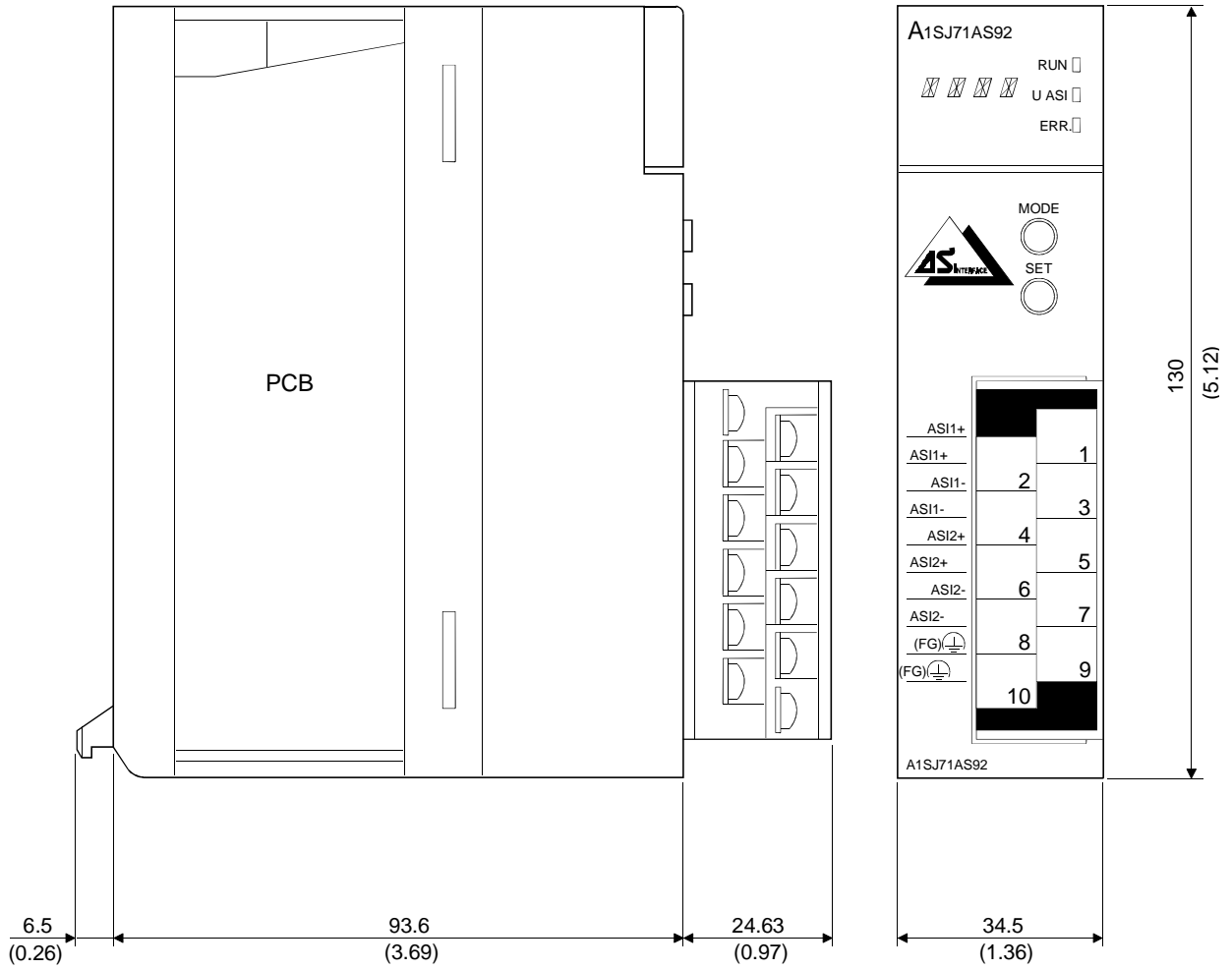
#### NOTE

I/O code and ID code have two slaves as which it is the same and the slave address is the same. In that case, slave is operated by the same slave address as two.

- Please check this power supply if the AS-i power supply after the repeater fails.  
Refer to the AS-i power supply manual for the confirmation methods.  
If faulty, replace the AS-i power supply.
- Check whether the repeater is faulty. Refer to the repeater manual for the confirmation methods.  
If faulty, replace the repeater.

APPENDIX

Appendix 1. Outline Dimension Drawings



App

Unit: mm (in.)

Appendix 2. AS-i Protocol Implementation Conformance Statement (PICS)

List of implemented functions:

No.	Function or call at host interface	P_	remark / Implemented by
1	Image,Status = Resd_IDI()	x	
2	Status = Write_OD(Image)	x	
3	Status = Set_permanent_parameter(Addr,Param)	x	
4	Param,Status = Get_Permanent_Parameter(Addr)	x	
5	Status,RParam = Write_parameter(Addr,Param)	x	
6	Status,Param = Read_parameter(Addr)	x	
7	Status = Store_actual_parameters()	x	
8	Status = Set_permanent_configuration(Addr,Config)	x	
9	Status,Config = Get_permanent_configuration(Addr)	x	
10	Status = Store_actual_configuration()	x	
11	Status,Config = Read_actual_configuration(Addr)	x	
12	Status = Set_LPS(List31)	x	
13	Status,List31 = Get_LPS()	x	
14	Status,List31 = Get_LAS()	x	
15	Status,List32 = Get_LDS()	x	
16.0	Status,Flag = Get_flags()	x	
16.1	Status,Flag = Get_flag_config_OK()	x	
16.2	Status,Flag = Get_flag_LDS.0()	x	
16.3	Status,Flag = Get_flag_auto_address_assign()	x	
16.4	Status,Flag = Get_flag_auto_prog_available()	x	
16.5	Status,Flag = Get_flag_configuration_active()	x	
16.6	Status,Flag = Get_flag_normal_operation_active()	x	
16.7	Status,Flag = Get_flag_APF()	x	
16.8	Status,Flag = Get_flag_offline_ready()	x	
17	Status = Set_operation_mode(Mode)	x	
18	Status = Set_offline_mode(Mode)	x	
19	Status = Activate_data_exchange(Mode)		
20	Status = Change_slave_address(Addr1,Addr2)	x	
21.1	Status = Set_auto_adress_enable(Mode)	x	
21.2	Mode = Get_auto_adress_enable()	x	
22.1	Status,Resp = Cmd_reset_AS-i_slave(Addr,RESET)		
22.2	Status,Resp = Cmd_read_IO_configuration(Addr,CONF)		
22.3	Status,Resp = Cmd_read_identification_code(Addr,IDCOD)		
22.4	Status,Resp = Cmd_read_status(Addr,STAT)		
22.5	Status,Resp = Cmd_read_reset_status(Addr,STATRES)		
22.6	Status,Resp = Cmd_R1(Addr,R1CODE)		

Key to the symbols for column 3:

sign	meaning
x	implemented
	not available

App

Appendix 3. Formula how to calculate the cycle time depending on the number of slaves

$$\text{AS-i cycle-time} = 150 \mu\text{s} \times (\text{Number of slaves} + 1)$$

## INDEX

### [A]

- AS-i power supply..... 1-1, 2-1, 4-7, 5-1
- AS-i cable..... 1-1, 2-1, 4-7, 5-1
- Actual configuration..... 3-18
- Actual parameter ..... 3-18
- Activation Phase..... 4-8
- Automatic Address Assignment..... 1-2, 4-12

### [C]

- Command Buffer
  - Command Buffer <command>....3-6, 3-7, 3-17
  - Command Buffer <result> .....3-6, 3-7, 3-19
- Command code ..... 3-17
- Congiruation Mode .....4-8, 4-10, 4-11

### [D]

- Detection Phase ..... 4-8

### [E]

- Ec flags ..... 3-6, 3-7, 3-8, 3-10

### [L]

- LAS .....3-6, 3-7, 3-13
- LDS .....3-6, 3-7, 3-12
- LED
  - 17 segment LED ..... 4-3, 4-15
  - LED display..... 4-4, 6-1, 6-2
- LPS .....3-6, 3-7, 3-14

### [N]

- Normal Operation ..... 4-8

### [O]

- Off-line Phase..... 4-8

### [P]

- Permanent configuration..... 3-18
- Permanent parameter ..... 3-18
- Protected Operation Mode.....4-8, 4-10, 4-13

### [S]

- Start-Up..... 4-8

### [T]

- Terminal tightening torque ..... 4-5

### [W]

- Wiring type .....2-2



# WARRANTY

Please confirm the following product warranty details before starting use.

## 1. Gratis Warranty Term and Gratis Warranty Range

If any faults or defects (hereinafter "Failure") found to be the responsibility of Mitsubishi occurs during use of the product within the gratis warranty term, the product shall be repaired at no cost via the dealer or Mitsubishi Service Company. Note that if repairs are required at a site overseas, on a detached island or remote place, expenses to dispatch an engineer shall be charged for.

### [Gratis Warranty Term]

The gratis warranty term of the product shall be for one year after the date of purchase or delivery to a designated place.

Note that after manufacture and shipment from Mitsubishi, the maximum distribution period shall be six (6) months, and the longest gratis warranty term after manufacturing shall be eighteen (18) months. The gratis warranty term of repair parts shall not exceed the gratis warranty term before repairs.

### [Gratis Warranty Range]

- (1) The range shall be limited to normal use within the usage state, usage methods and usage environment, etc., which follow the conditions and precautions, etc., given in the instruction manual, user's manual and caution labels on the product.
- (2) Even within the gratis warranty term, repairs shall be charged for in the following cases.
  1. Failure occurring from inappropriate storage or handling, carelessness or negligence by the user. Failure caused by the user's hardware or software design.
  2. Failure caused by unapproved modifications, etc., to the product by the user.
  3. When the Mitsubishi product is assembled into a user's device, Failure that could have been avoided if functions or structures, judged as necessary in the legal safety measures the user's device is subject to or as necessary by industry standards, had been provided.
  4. Failure that could have been avoided if consumable parts (battery, backlight, fuse, etc.) designated in the instruction manual had been correctly serviced or replaced.
  5. Failure caused by external irresistible forces such as fires or abnormal voltages, and Failure caused by force majeure such as earthquakes, lightning, wind and water damage.
  6. Failure caused by reasons unpredictable by scientific technology standards at time of shipment from Mitsubishi.
  7. Any other failure found not to be the responsibility of Mitsubishi or the user.

## 2. Onerous repair term after discontinuation of production

- (1) Mitsubishi shall accept onerous product repairs for seven (7) years after production of the product is discontinued. Discontinuation of production shall be notified with Mitsubishi Technical Bulletins, etc.
- (2) Product supply (including repair parts) is not possible after production is discontinued.

## 3. Overseas service

Overseas, repairs shall be accepted by Mitsubishi's local overseas FA Center. Note that the repair conditions at each FA Center may differ.

## 4. Exclusion of chance loss and secondary loss from warranty liability

Regardless of the gratis warranty term, Mitsubishi shall not be liable for compensation to damages caused by any cause found not to be the responsibility of Mitsubishi, chance losses, lost profits incurred to the user by Failures of Mitsubishi products, damages and secondary damages caused from special reasons regardless of Mitsubishi's expectations, compensation for accidents, and compensation for damages to products other than Mitsubishi products and other duties.

## 5. Changes in product specifications

The specifications given in the catalogs, manuals or technical documents are subject to change without prior notice.

## 6. Product application

- (1) In using the Mitsubishi MELSEC programmable logic controller, the usage conditions shall be that the application will not lead to a major accident even if any problem or fault should occur in the programmable logic controller device, and that backup and fail-safe functions are systematically provided outside of the device for any problem or fault.
- (2) The Mitsubishi general-purpose programmable logic controller has been designed and manufactured for applications in general industries, etc. Thus, applications in which the public could be affected such as in nuclear power plants and other power plants operated by respective power companies, and applications in which a special quality assurance system is required, such as for Railway companies or National Defense purposes shall be excluded from the programmable logic controller applications.

Note that even with these applications, if the user approves that the application is to be limited and a special quality is not required, application shall be possible.

When considering use in aircraft, medical applications, railways, incineration and fuel devices, manned transport devices, equipment for recreation and amusement, and safety devices, in which human life or assets could be greatly affected and for which a particularly high reliability is required in terms of safety and control system, please consult with Mitsubishi and discuss the required specifications.

**HEADQUARTERS**

MITSUBISHI ELECTRIC EUROPE B.V. EUROPE  
Gothaer Straße 8  
**D-40880 Ratingen**  
Phone: +49 (0) 21 02 / 486-0  
Fax: +49 (0) 21 02 / 4 86-11 20  
e mail: megfamail@meg.mee.com

MITSUBISHI ELECTRIC EUROPE B.V. FRANCE  
25, Boulevard des Bouvets  
**F-92741 Nanterre Cedex**  
Phone: +33 1 55 68 55 68  
Fax: +33 1 55 68 56 85  
e mail: factory.automation@fra.mee.com

MITSUBISHI ELECTRIC EUROPE B.V. UK  
Travellers Lane  
**GB-Hatfield Herts. AL10 8 XB**  
Phone: +44 (0) 1707 / 27 61 00  
Fax: +44 (0) 1707 / 27 86 95

MITSUBISHI ELECTRIC EUROPE B.V. ITALY  
Via Paracelso 12  
**I-20041 Agrate Brianza (MI)**  
Phone: +39 039 6053 1  
Fax: +39 039 6053 312  
e mail: factory.automation@it.mee.com

MITSUBISHI ELECTRIC EUROPE B.V. SPAIN  
Carretera de Rubí 76-80  
**E-08190 Sant Cugat del Vallés**  
Phone: +34 9 3 / 565 3131  
Fax: +34 9 3 / 589 2948  
e mail: industrial@sp.mee.com

MITSUBISHI ELECTRIC CORPORATION JAPAN  
Office Tower "Z" 14 F  
8-12,1 chome, Harumi Chuo-Ku  
**Tokyo 104-6212**  
Phone: +81 3 6221 6060  
Fax: +81 3 6221 6075

MITSUBISHI ELECTRIC AUTOMATION USA  
500 Corporate Woods Parkway  
**Vernon Hills, IL 60061**  
Phone: +1 847 / 478 21 00  
Fax: +1 847 / 478 22 83

**EUROPEAN REPRESENTATIVES**

GEVA AUSTRIA  
Wiener Straße 89  
**A-2500 Baden**  
Phone: +43 (0) 2252 / 85 55 20  
Fax: +43 (0) 2252 / 488 60  
e mail: office@geva.at

TEHNIKON BELARUS  
Oktjabrskaya 16/5, Ap 704  
**BY-220030 Minsk**  
Phone: +375 (0) 17 / 22 75 704  
Fax: +375 (0) 17 / 22 76 669  
e mail: tehnikon@belsonet.net

Getronics b.v. BELGIUM  
Control Systems  
Pontbeeklaan 43  
**B-1731 Asse-Zellik**  
Phone: +32 (0) 2 / 467 17 51  
Fax: +32 (0) 2 / 467 17 45  
e mail: infoautomation@getronics.com

TELECON CO. BULGARIA  
4, A. Ljapchev Blvd.  
**BG-1756 Sofia**  
Phone: +359 (0) 2 / 97 44 05 8  
Fax: +359 (0) 2 / 97 44 06 1  
e mail: —

INEA CR d.o.o. CROATIA  
Drvinje 63  
**HR-10000 Zagreb**  
Phone: +385 (0) 1 / 36 67 140  
Fax: +385 (0) 1 / 36 67 140  
e mail: —

AutoCont CZECHIA  
Control Systems s.r.o.  
Nemocnicni 12  
**CZ-702 00 Ostrava 2**  
Phone: +420 59 / 6152 111  
Fax: +420 59 / 6152 562  
e mail: consys@autocont.cz

louis poulsen DENMARK  
industri & automation  
Geminivej 32  
**DK-2670 Greve**  
Phone: +45 (0) 43 / 95 95 95  
Fax: +45 (0) 43 / 95 95 91  
e mail: lpia@lpmail.com

UTU Elektrotehnika AS ESTONIA  
Pärnu mnt.160i  
**EE-11317 Tallinn**  
Phone: +372 (0) 6 / 51 72 80  
Fax: +372 (0) 6 / 51 72 88  
e mail: utu@utu.ee

Beijer Electronics OY FINLAND  
Ansatie 6a  
**FIN-01740 Vantaa**  
Phone: +358 (0) 9 / 886 77 500  
Fax: +358 (0) 9 / 886 77 555  
e mail: info@beijer.fi

PROVENDOR OY FINLAND  
Teljänkatu 8 A 3  
**FIN-28130 Pori**  
Phone: +358 (0) 2 / 522 3300  
Fax: +358 (0) 2 / 522 3322  
e mail: —

UTECO A.B.E.E. GREECE  
5, Mavrogenous Str.  
**GR-18542 Piraeus**  
Phone: +302 (0) 10 / 42 10 050  
Fax: +302 (0) 10 / 42 12 033  
e mail: uteco@uteco.gr

Meltrade Automatika Kft. HUNGARY  
55, Harmat St.  
**H-1105 Budapest**  
Phone: +36 (0)1 / 2605 602  
Fax: +36 (0)1 / 2605 602  
e mail: office@meltrade.hu

**EUROPEAN REPRESENTATIVES**

MITSUBISHI ELECTRIC EUROPE B.V. IRELAND  
Irish Branch  
Westgate Business Park  
**IRL-Dublin 24**  
Phone: +353 (0) 1 / 419 88 00  
Fax: +353 (0) 1 / 419 88 90  
e mail: sales.info@meir.mee.com

SIA POWEL LATVIA  
Lienes iela 28  
**LV-1009 Riga**  
Phone: +371 784 / 22 80  
Fax: +371 784 / 22 81  
e mail: utu@utu.lv

UAB UTU POWEL LITHUANIA  
Savanoriu pr. 187  
**LT-2053 Vilnius**  
Phone: +370 (0) 52323-101  
Fax: +370 (0) 52322-980  
e mail: powel@utu.lt

INTEHSIS SRL MOLDOVA, REPUBLIC OF  
Cuza-Voda 36/1-81  
**MD-2061 Chisinau**  
Phone: +373 (0)2 / 562 263  
Fax: +373 (0)2 / 562 263  
e mail: intehsis@mdl.net

Getronics b.v. NETHERLANDS  
Control Systems  
Donauweg 2 B  
**NL-1043 AJ Amsterdam**  
Phone: +31 (0) 20 / 587 67 00  
Fax: +31 (0) 20 / 587 68 39  
e mail: info.gia@getronics.com

Beijer Electronics AS NORWAY  
Teglværksveien 1  
**N-3002 Drammen**  
Phone: +47 (0) 32 / 24 30 00  
Fax: +47 (0) 32 / 84 85 77  
e mail: info@beijer.no

MPL Technology Sp. z o.o. POLAND  
ul. Sliczna 36  
**PL-31-444 Kraków**  
Phone: +48 (0) 12 / 632 28 85  
Fax: +48 (0) 12 / 632 47 82  
e mail: krakow@mpl.pl

Sirius Trading & Services srl ROMANIA  
Bd. Lacul Tei nr. 1 B  
**RO-72301 Bucuresti 2**  
Phone: +40 (0) 21 / 201 7147  
Fax: +40 (0) 21 / 201 7148  
e mail: sirius\_t\_s@fx.ro

ACP Autocomp a.s. SLOVAKIA  
Chalupkova 7  
**SK-81109 Bratislava**  
Phone: +421 (02) / 5292-22 54, 55  
Fax: +421 (02) / 5292-22 48  
e mail: info@acp-autocomp.sk

INEA d.o.o. SLOVENIA  
Stegne 11  
**SI-1000 Ljubljana**  
Phone: +386 (0) 1-513 8100  
Fax: +386 (0) 1-513 8170  
e mail: inea@inea.si

Beijer Electronics AB SWEDEN  
Box 426  
**S-20124 Malmö**  
Phone: +46 (0) 40 / 35 86 00  
Fax: +46 (0) 40 / 35 86 02  
e mail: info@beijer.se

ECONOTEC AG SWITZERLAND  
Postfach 282  
**CH-8309 Nürensdorf**  
Phone: +41 (0) 1 / 838 48 11  
Fax: +41 (0) 1 / 838 48 12  
e mail: info@econotec.ch

**EUROPEAN REPRESENTATIVES**

GTS TURKEY  
Darülaceze Cad. No. 43 KAT: 2  
**TR-80270 Okmeydani-Istanbul**  
Phone: +90 (0) 212 / 320 1640  
Fax: +90 (0) 212 / 320 1649  
e mail: gts@turk.net

CSC Automation Ltd. UKRAINE  
15, M. Raskova St., Fl. 10, Office 1010  
**UA-02002 Kiev**  
Phone: +380 (0) 44 / 238-83-16  
Fax: +380 (0) 44 / 238-83-17  
e mail: csc-a@csc-a.kiev.ua

**AFRICAN REPRESENTATIVE**

CBI Ltd SOUTH AFRICA  
Private Bag 2016  
**ZA-1600 Isando**  
Phone: +27 (0) 11 / 928 2000  
Fax: +27 (0) 11 / 392 2354  
e mail: cbi@cbi.co.za

**MIDDLE EAST REPRESENTATIVE**

TEXEL Electronics LTD. ISRAEL  
Box 6272  
**IL-42160 Netanya**  
Phone: +972 (0) 9 / 863 08 91  
Fax: +972 (0) 9 / 885 24 30  
e mail: texel\_me@netvision.net.il

**EURASIAN REPRESENTATIVE**

AVTOMATIKA SEVER RUSSIA  
Krapivnij Per. 5, Of. 402  
**RU-194044 St Petersburg**  
Phone: +7 812 / 1183 238  
Fax: +7 812 / 3039 648  
e mail: pav@avtsev.spb.ru

CONSYS RUSSIA  
Promyshlennaya St. 42  
**RU-198099 St Petersburg**  
Phone: +7 812 / 325 36 53  
Fax: +7 812 / 325 36 53  
e mail: consys@consys.spb.ru

ELEKTROSTYLE RUSSIA  
Ul Garschina 11  
**RU-140070 Moscovskaja Oblast**  
Phone: +7 095 / 261 3808  
Fax: +7 095 / 261 3808  
e mail: —

ICOS RUSSIA  
Industrial Computer Systems Zao  
Ryazanskij Prospekt 8a, Office 100  
**RU-109428 Moscow**  
Phone: +7 095 / 232 - 0207  
Fax: +7 095 / 232 - 0327  
e mail: mail@icos.ru

NPP Uralelektra RUSSIA  
Sverdlova 11a  
**RU-620027 Ekaterinburg**  
Phone: +7 34 32 / 53 27 45  
Fax: +7 34 32 / 53 27 45  
e mail: elektra@etel.ru

STC Drive Technique RUSSIA  
Poslannikov Per. 9, str.1  
**RU-107005 Moscow**  
Phone: +7 095 / 786 21 00  
Fax: +7 095 / 786 21 01  
e mail: info@privod.ru